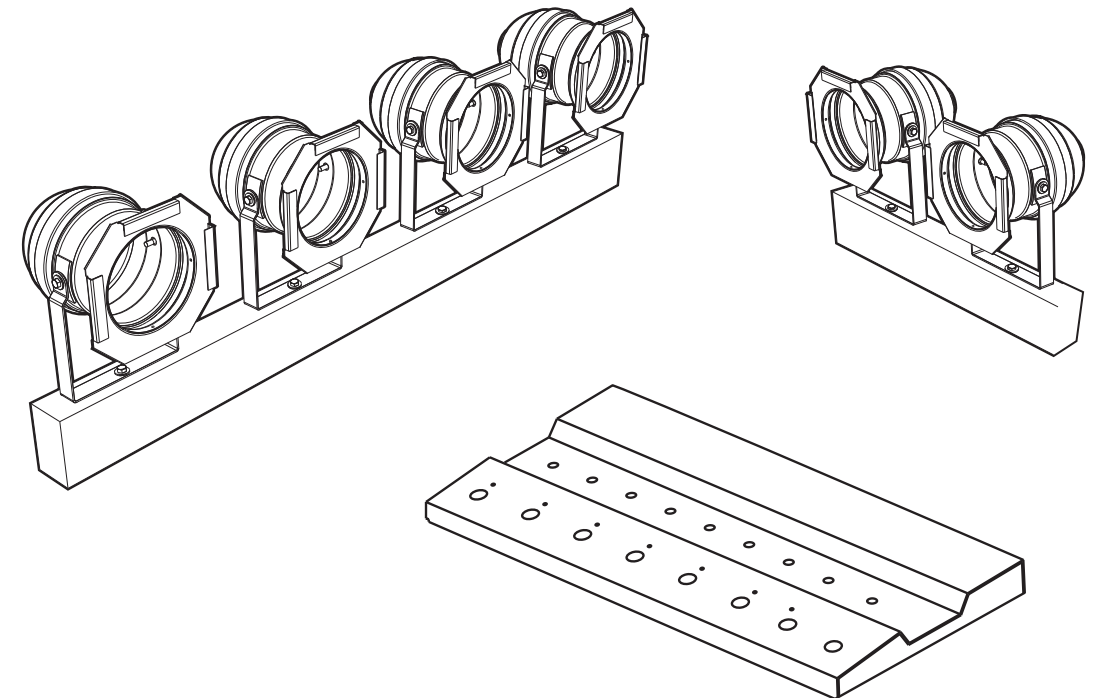




# LP608/302/304

*Computer Controlled Lighting System  
Système d'Eclairage Contrôlé par Ordinateur*

WEB ACCESS: <http://www.yorkville.com>



## WORLD HEADQUARTERS CANADA

**Yorkville Sound**  
550 Granite Court  
Pickering, Ontario  
L1W-3Y8 CANADA

Voice: (905) 837-8481  
Fax: (905) 837-8746

## U.S.A.

**Yorkville Sound Inc.**  
4625 Witmer Industrial Estate  
Niagara Falls, New York  
14305 USA

Voice: (716) 297-2920  
Fax: (716) 297-3689



# SERVICE MANUAL

Designed & Manufactured by  
YORKVILLE SOUND • Toronto, Canada

**Quality and Innovation Since 1963**  
Printed in Canada

## IMPORTANT SAFETY INSTRUCTIONS



### INSTRUCTIONS PERTAINING TO A RISK OF FIRE, ELECTRIC SHOCK, OR INJURY TO PERSONS

### INSTRUCTIONS RELATIVES AU RISQUE DE FEU, CHOC ÉLECTRIQUE, OU BLESSURES AUX PERSONNES

#### **CAUTION:**

TO REDUCE THE RISK OF ELECTRIC SHOCK, DO NOT REMOVE COVER (OR BACK).

*NO USER SERVICEABLE PARTS INSIDE.*

**REFER SERVICING TO QUALIFIED SERVICE PERSONNEL.**

#### **AVIS:**

AFIN DE REDUIRE LES RISQUE DE CHOC ELECTRIQUE, N'ENLEVEZ PAS LE COUVERT (OU LE PANNEAU ARRIERE)

*NE CONTIENT AUCUNE PIECE REPARABLE PAR L'UTILISATEUR.*

**CONSULTEZ UN TECHNICIEN QUALIFIE POUR L'ENTRETIEN**

#### **Read Instructions**

The Owner's Manual should be read and understood before operation of your unit. Please, save these instructions for future reference.

#### **Packaging**

Keep the box and packaging materials, in case the unit needs to be returned for service.

#### **Warning**

When using electric products, basic precautions should always be followed, including the following:

##### **Power Sources**

Your unit should be connected to a power source only of the voltage specified in the owners manual or as marked on the unit. This unit has a polarized plug. Do not use with an extension cord or receptacle unless the plug can be fully inserted. Precautions should be taken so that the grounding scheme on the unit is not defeated.

##### **Hazards**

Do not place this product on an unstable cart, stand, tripod, bracket or table. The product may fall, causing serious personal injury and serious damage to the product. Use only with cart, stand, tripod, bracket, or table recommended by the manufacturer or sold with the product. Follow the manufacturer's instructions when installing the product and use mounting accessories recommended by the manufacturer.

The apparatus should not be exposed to dripping or splashing water; no objects filled with liquids should be placed on the apparatus.

Terminals marked with the "lightning bolt" are hazardous live; the external wiring connected to these terminals require installation by an instructed person or the use of ready made leads or cords.

Ensure that proper ventilation is provided around the appliance.

No naked flame sources, such as lighted candles, should be placed on the apparatus.

##### **Power Cord**

The AC supply cord should be routed so that it is unlikely that it will be damaged. If the AC supply cord is damaged DO NOT OPERATE THE UNIT.

##### **Service**

The unit should be serviced only by qualified service personnel.

#### **Veillez Lire le Manuel**

Il contient des informations qui devraient être comprises avant l'opération de votre appareil. Conservez S.V.P. ces instructions pour consultations ultérieures.

#### **Emballage**

Conservez la boîte au cas où l'appareil devait être retourner pour réparation.

#### **Attention:**

Lors de l'utilisation de produits électrique, assurez-vous d'adhérer à des précautions de bases incluant celle qui suivent:

##### **Alimentation**

L'appareil ne doit être branché qu'à une source d'alimentation correspondant au voltage spécifié dans le manuel ou tel qu'indiqué sur l'appareil. Cet appareil est équipé d'une prise d'alimentation polarisée. Ne pas utiliser cet appareil avec un cordon de raccordement à moins qu'il soit possible d'insérer complètement les trois lames. Des précautions doivent être prises afin d'éviter que le système de mise à la terre de l'appareil ne soit désengagé.

##### **Risque**

Ne pas placer cet appareil sur un chariot, un support, un trépied ou une table instables. L'appareil pourrait tomber et blesser quelqu'un ou subir des dommages importants. Utiliser seulement un chariot, un support, un trépied ou une table recommandés par le fabricant ou vendus avec le produit. Suivre les instructions du fabricant pour installer l'appareil et utiliser les accessoires recommandés par le fabricant.

Il convient de ne pas placer sur l'appareil de sources de flammes nues, telles que des bougies allumées.

L'appareil ne doit pas être exposé à des égouttements d'eau ou des éclaboussures et qu'aucun objet rempli de liquide tel que des vases ne doit être placé sur l'appareil.

Assurez que l'appareil est fourni de la propre ventilation.

Les dispositifs marqués d'un symbole "d'éclair" sont des parties dangereuses au toucher et que les câblages extérieurs connectés à ces dispositifs de connection extérieure doivent être effectués par un opérateur formé ou en utilisant des cordons déjà préparés.

##### **Cordon d'Alimentation**

Évitez d'endommager le cordon d'alimentation. N'UTILISEZ PAS L'APPAREIL si le cordon d'alimentation est endommagé.

##### **Service**

Consultez un technicien qualifié pour l'entretien de votre appareil.

LP304

LP608

YS No.	Description	Qty.
3555	40 PIN DUAL IN-LINE IC SOCKET	1
6939	12MHZ CRYSTAL HC49/FOX120	1
6405	RED 3MM LED 1V7 5MA BRT	1
6825	1N4148 75V 0A45 DIODE T&R	2
6438	1N4004 400V 1A0 DIODE T&R	3
6487	1N5822 40V 3A0 DIODE SCHTKY	3
6461	1N5240BRL 10V0 0W5 ZENER 5% T&R	1
6855	NJM7805FA TO220 P 5V0 REG IS V1	1
5101	BC550C TO92 NPN TRAN T&R TB	2
5102	BC560C TO92 PNP TRAN T&R TB	6
6935	1455P1 IC SINGLE TIMER	1
6961	80C51BH IC CPU/ROM FOR LP-304	1
6470	MAC15A6FP TO220 15A TRIAC 400V	4
6862	MOC3011 OPTO-COUPLER	4
6481	0.5A 60 PTC CURRENT LIMITER	1
5404	.27P 100V 10%CAP T&R BEAD NPO	2
5308	.47N 50V 10%CAP T&R BEAD X7R	1
5314	100N 50V 10%CAP T&R BEAD X7R	5
5827	150N 250V 20%CAP BLK 'X2' 15MM AC	5
5259	.4U7 63V 20%CAP T&R RAD .2"EL	1
5888	2200U 25V 20%CAP BLK 16X25MM EL	1
3769	.100UH COIL 18AGW ZOBEL FER CORE	4
3464	WIRE TO BOARD CRIMP 18-24 AWGT/LEAD	7
3490	CLIP 250X032 14-16AWG DISCO/INSL	2
3499	CLIP 250X032 14-16AWG FEMALE BULK	8
3682	250 MALE PCB TAB BULK CARTRIGE	8
3922	XLR FEML PCB MT HORZ THIN SNAP-IN	1
3923	XLR MALE PCB MT HORZ MTHOLE-V SNAP	1
3451	EYELET SMALL 0.089 OD PLATED	1
3542	EYELET LARGE SE44 TIN-PLAT BRASS	6
3414	INTERNATIONAL PC MOUNT FUSEHOLDER	2
2431	0.200 AMP SLO-BLO .25X1.25 FUSE	1
9902	GEL SET FOR DB-304	1
3501	B52200F006 COMP WASH #4 SMALL	4
8855	SCREWKNOB 5/16"18 X 1" SUPERSTAR	1
3795	#8 GROUND LUG ZIERICK 505-169	6
3810	4" NYLON CABLE TIE	12
9904	PAR 56 LIGHT FIXTURE ALUMINUM	4
3479	12'3/16 SJT AC LINE CORD BLACK 250"	1
3829	HEYCO #1207 STRAIN RELIEF	5
8261	GE VELVET LEXAN .007" X 12" X 24"	0.5
9903	300 WATT PAR 56 NSP BULB	4
8900	YORKVILLE WARRANTY CARD 2-YR UNLTD.	1
8793	4-40 HEX NUT ZINC	4
8800	6-32 KEPS NUT ZINC	11
8787	8-32 KEPS NUT ZINC	1
8848	5/16 WELDNUT	1
8883	1/2 X 13 NYLON INSERT LOCK NUT	4
4597	22AWG STRAN TC WIR JMP	8
4599	22AWG SOLID SC WIR T&R JMP	12
5299	24AWG SOLID SC WIR RAD JMP	3
4617	1/2W 47R 5% T&R RES	4
4819	1/4W 180R 5% T&R RES	4
4855	1/4W 330R 5% T&R RES	1
4881	1/4W 360R 5% T&R RES	4
4821	1/4W 470R 5% T&R RES	1
4823	1/4W 1K 5% T&R RES	2
4827	1/4W 4K7 5% T&R RES	8
4829	1/4W 10K 5% T&R RES	3
4838	1/4W 100K 5% T&R RES	1
4886	1/4W 200K 5% T&R RES	1
4842	1/4W 330K 5% T&R RES	2
8741	4-40 X 1/2 PAN PH MS JS500	4
8842	#4 X 5/16 PAN QUAD TYPE A JS500 BLK	4
8799	#6 X 1/4 PAN PH TYPE B JS500	2
8801	6-32 X 3/8 PAN PH TAPTITE JS500	13
8830	6-32 X 7/8 PAN PH MS JS500	3
8803	8-32 X 3/8 PAN QUAD TAPTITE JS500	18
8815	8-32 X 3/4 PAN PH TAPTITE JS500	1
8762	10-32 X 1/2 TRUSS QUAD TAPTITE JS500	4
8783	10-32 X 1 PAN QUAD TT JS500 BLACK	1
8860	1/2-13 X 1 1/4 HEX CAP SCREW ZINC	4
3744	SNAP IN .375 SPACER RICHO	3
3833	8 X 3/8 (250 OD,.171 ID)NY SPACER	1
8884	.505 I. D. SPRING TENSION WASHER	4
8852	#6 INTERNAL TOOTH LOCKWASHER	1
8820	#8 FLAT WASHER JS500	1
8463	1.468 X .515 X .05 NYLON WASHER BLK	4
1234	G-20/LP-304 LP-504D XFMR	1

YS No.	Description	Qty.
3555	40 PIN DUAL IN-LINE IC SOCKET	1
3571	28 PIN X .6" I.C. SOCKET	1
6939	12MHZ CRYSTAL HC49/FOX120	1
6405	RED 3MM LED 1V7 5MA BRT	1
6400	YEL 3MM LED 1V9 6MA HIGHEFF	7
6825	1N4148 75V 0A45 DIODE T&R	47
6438	1N4004 400V 1A0 DIODE T&R	4
6944	LM2931T TO220 P 5V0 REG V1	1
5101	BC550C TO92 NPN TRAN T&R TB	2
5102	BC560C TO92 PNP TRAN T&R TB	3
6789	2N3904 TO92 NPN TRAN TA	5
6987	NJM2901N IC DUAL COMPARATOR	3
6935	1455P1 IC SINGLE TIMER	1
6949	4093BCP IC QUAD 2I/P SCH/TRIG	1
6937	74HC373N IC OCTAL LATCH 3 STAGE	4
6942	74HC139 IC DUAL 2OF4 DECODER	1
6943	74HC374N IC OCTAL DTYPE LATCH	1
6948	27C64 200NS IC PREPROG. FOR LP-608	1
6961	80C51BH IC CPU/ROM FOR LP-304	1
6941	MOC5008 OPTO-COUPLER	1
5404	.27P 100V 10%CAP T&R BEAD NPO	2
5432	.4N7 50V 10%CAP T&R BEAD Y5R	6
5314	100N 50V 10%CAP T&R BEAD X7R	27
5322	470N 50V 10%CAP T&R BEAD Z5U	1
5861	.4U7 63V 10%CAP T&R AXIAL EL	1
5846	.22U 25V 10%CAP T&R AXIAL EL	1
5943	.68U 16V 20%CAP T&R AXIAL EL	4
5623	330U 16V 20%CAP BLK AXIAL EL	1
4580	ROT BIN 18MM 1BIT ENCODER P18	9
8543	RECESSED RUBBER BUMPER WITH WASHER	4
3427	MIDI JCK PCB MT HORZ 5PIN DIN	1
3527	1/4" JCK PCB MT HORZ GOLD _S	1
3922	XLR FEML PCB MT HORZ THIN SNAP-IN	2
3451	EYELET SMALL 0.089 OD PLATED	26
3985	LITE CONTROL BATTERIES "AA"	2
3986	PC/2 "AA" BATT. HOLDER	1
8498	6-32 X 3/8 STEEL PEM STUD	3
3810	4" NYLON CABLE TIE	1
3827	SQUARE BUMPER BUTTON BLACK	1
8691	SLIDE POT KNOB-RED	3
8527	LIGHT SHOW KNOB (BLACK/W RED CAP)	9
8661	BUTTON KNOB FLAT GREY	3
8261	GE VELVET LEXAN .007" X 12" X 24"	1
8910	YORKVILLE PRODUCT MANUAL	1
8900	YORKVILLE WARRANTY CARD 2-YR UNLTD.	1
3521	SIDE ENTRY PCB CONN .156 8POS	2
3541	24 PIN BREAKAWAY 90 .156	1
4597	22AWG STRAN TC WIR JMP	9
4599	22AWG SOLID SC WIR T&R JMP	204
4817	1/4W 47R 5% T&R RES	10
4857	1/4W 220R 5% T&R RES	1
4821	1/4W 470R 5% T&R RES	2
4823	1/4W 1K 5% T&R RES	4
4826	1/4W 3K3 5% T&R RES	1
4827	1/4W 4K7 5% T&R RES	9
4829	1/4W 10K 5% T&R RES	39
4832	1/4W 22K 5% T&R RES	8
4834	1/4W 47K 5% T&R RES	20
4836	1/4W 68K 5% T&R RES	1
4838	1/4W 100K 5% T&R RES	14
4849	1/4W 180K 5% T&R RES	1
4842	1/4W 330K 5% T&R RES	2
4843	1/4W 470K 5% T&R RES	2
4874	1/4W 560K 5% T&R RES	1
4844	1/4W 1M 5% T&R RES	3
4845	1/4W 2M2 5% T&R RES	1
3677	.5" 8C-26AWG RIB 3/4" NOTCH 0.1"	2
8870	#4 X 1/4 PAN PH TYPE A ZINC	2
8742	4-40 X 3/8 PAN PH TAPTITE JS500	4
8801	6-32 X 3/8 PAN PH TAPTITE JS500	6
8803	8-32 X 3/8 PAN QUAD TAPTITE JS500	16
8905	YORKVILLE PRODUCT SCHEMATIC	1
8491	#10 SPLIT LOCK WASHER BO	1
3503	FIBRE WASHER 0.5ID, 0.75OD 0.04 THK	17
3509	SWS 3602 BLK. SHOULD WASHER(MICRO)	17
3436	DPDT PUSH SW PCMT H BREAK B4 MAKE	3
3588	SPST FOOT SW LUG MOMENTARY ON	8

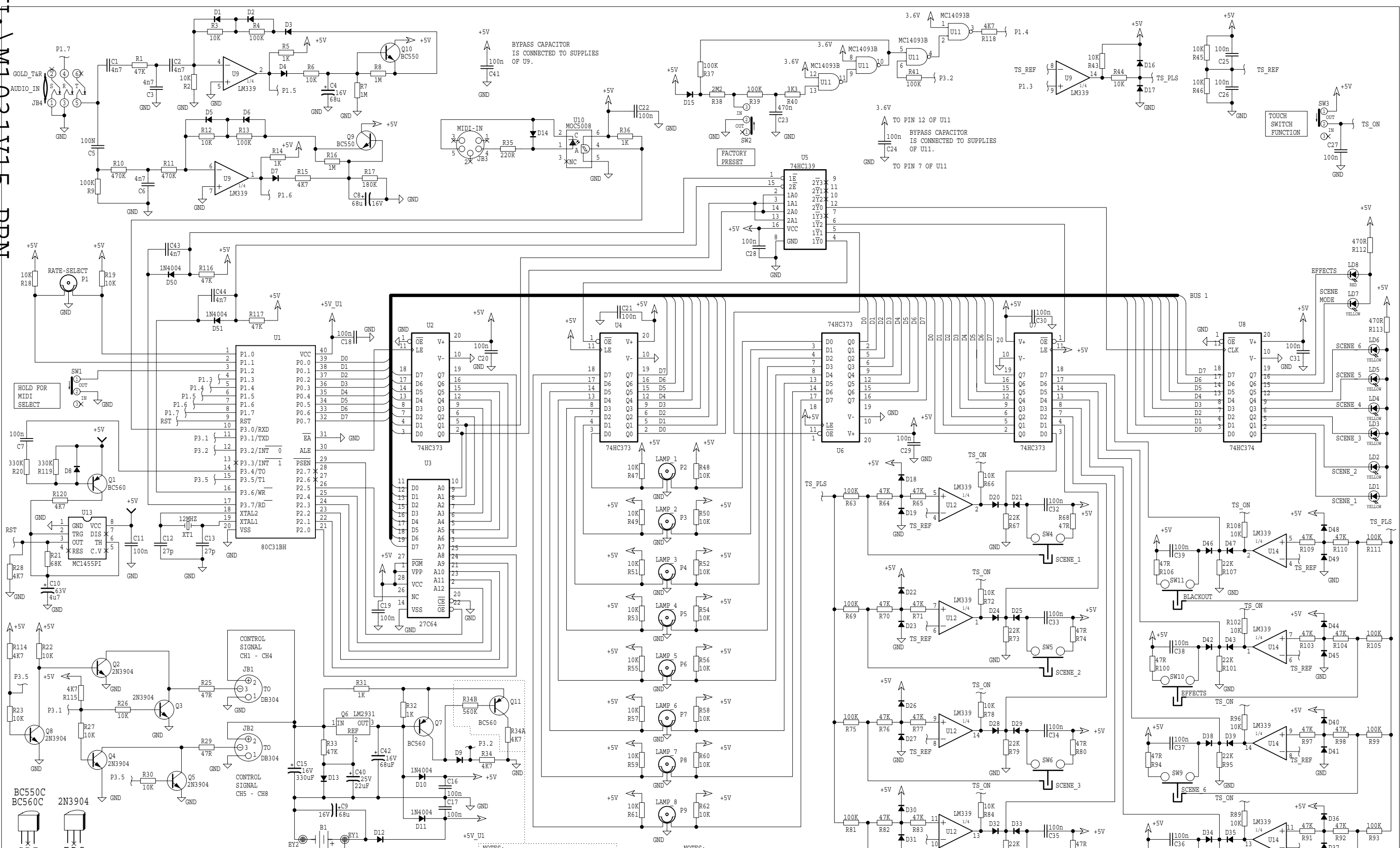
LP-302

YS No.	Description	Qty.	YS No.	Description	Qty.
3555	40 PIN DUAL IN-LINE IC SOCKET	1			
6939	12MHZ CRYSTAL HC49/FOX120	1			
6405	RED 3MM LED 1V7 5MA BRT	1			
6825	1N4148 75V 0A45 DIODE T&R	2			
6438	1N4007 400V 1A0 DIODE T&R	3			
6487	1N5822 40V 3A0 DIODE SCHTKY	3			
6461	1N5240BRL 10V0 0W5 ZENER 5% T&R	1			
6855	NJM7805FA TO220 P 5V0 REG IS V1	1			
5101	BC550C TO92 NPN TRAN T&R TB	3			
5102	BC560C TO92 PNP TRANSISTOR T&R TB	4			
6935	1455P1 IC SINGLE TIMER	1			
6961	80C51BH IC CPU/ROM FOR LP-304	1			
6470	MAC15A6FP TO220 15A TRIAC 400V	2			
6862	MOC3011 OPTO-COUPLER	2			
6481	0.5A 60 PTC CURRENT LIMITER	1			
5404	.27P 100V 10%CAP T&R BEAD NPO	2			
5314	100N 50V 10%CAP T&R BEAD X7R	5			
5316	150N 50V 10%CAP T&R BEAD X7R	1			
5827	150N 250V 20%CAP BLK 'X2' 15MM AC	2			
5266	680N 250V 20%CAP BLK 'X2' 30MM AC	1			
5259	.4U7 63V 20%CAP T&R RAD .2"EL	1			
5888	2200U 25V 20%CAP BLK 16X25MM EL	1			
3769	.100UH COIL 18AGW ZOBEL FER CORE	2			
3490	CLIP 250X032 14-16AWG DISCO/INSL	2			
3499	CLIP 250X032 14-16AWG FEMALE BULK	4			
3601	RING TERMINAL 16AWG WIRE & #8 SCREW	1			
3682	250 MALE PCB TAB REEL	11			
3498	1/4" JCK PCB MT HORZ	2			
3922	XLR FEML PCB MT HORZ THIN SNAP-IN	1			
3923	XLR MALE PCB MT HORZ MTHOLE-V SNAP	1			
3542	EYELET LARGE SE44 TIN-PLAT BRASS	4			
3414	INTERNATIONAL PC MOUNT FUSEHOLDER	2			
2431	0.200 AMP SLO-BLO .25X1.25 FUSE	1			
9902	GEL SET FOR LP-304	1			
3501	B52200F006 COMP WASH #4 SMALL	3			
3806	RECTANGULAR WASHER FOR TRANS SUPPRT	2			
8855	SCREWKNOB 5/16"18 X 1" SUPERSTAR	1			
3795	#8 GROUND LUG ZIERICK 505-169	2			
3801	5/8" BUMPER BUTTON BLACK	1			
3810	4" NYLON CABLE TIE	11			
3852	STICK ON CABLE WRAP ANCHOR	1			
9904	PAR 56 LIGHT FIXTURE ALUMINUM	2			
3479	12'3/16 SJT AC LINE CORD BLACK 250'	1			
3829	HEYCO #1207 STRAIN RELIEF	2			
3834	HEYCO #1214 STRAIN RELIEF	1			
9903	300 WATT PAR .56 NSP BULB	2			
3674	9 CIR CABLE HOLDER .098	2			
5989	4 CIR CABLE HOLDER .098	2			
8701	4-40 KEPS NUT ZINC	1			
8793	4-40 HEX NUT ZINC	3			
8800	6-32 KEPS NUT ZINC	8			
8848	5/16 WELDNUT	1			
8883	1/2 X 13 NYLON INSERT LOCK NUT	2			
4597	22AWG STRAN TC WIR JMP	4			
4599	22AWG SOLID SC WIR T&R JMP	10			
5299	24AWG SOLID SC WIR RAD JMP	1			
4617	1/2W 47R 5% T&R RES	2			
4819	1/4W 180R 5% T&R RES	2			
4855	1/4W 330R 5% T&R RES	1			
4881	1/4W 360R 5% T&R RES	3			
4821	1/4W 470R 5% T&R RES	1			
4823	1/4W 1K 5% T&R RES	2			
4827	1/4W 4K7 5% T&R RES	7			
4829	1/4W 10K 5% T&R RES	3			
4838	1/4W 100K 5% T&R RES	1			
4886	1/4W 200K 5% T&R RES	3			
4842	1/4W 330K 5% T&R RES	2			
3623	17" 4C-26AWG RIBBON CABLE 0.1"	1			
3612	23" 9C-24AWG RIBBON HITMP 0.1"	1			
8865	4-40 X 5/16 PAN PH MS JS500	1			
8741	4-40 X 1/2 PAN PH MS JS500	2			
8842	#4 X 5/16 PAN QUAD TYPE A JS500 BLK	4			
8801	6-32 X 3/8 PAN PH TAPTITE JS500	24			
8830	6-32 X 7/8 PAN PH MS JS500	3			
8624	10-32 X 1/2 HEX HD MS JS500 BLK	2			
8762	10-32 X1/2 TRUSS QUAD TAPTITE JS500	4			
8860	1/2-13 X 1 HEX CAP SCREW ZINC	2			
8882	1/2-13 X 5 BOLT ZINC	2			
3744	SNAP IN .375 SPACER RICHCO	3			
8884	.505 I. D. SPRING TENSION WASHER	2			
8852	#6 INTERNAL TOOTH LOCKWASHER	1			
8463	1.468 X .515 X .05 NYLON WASHER BLK	4			
3436	DPDT PUSH SW PCMT H BREAK B4 MAKE	3			
1234	G-20/LP-304 LP-504D XFMR	1			

**LP304 - manufactured prior to Nov /05**

<b>YS No.</b>	<b>Description</b>	<b>Qty.</b>
3555	40 PIN DUAL IN-LINE IC SOCKET	1
6939	12MHZ CRYSTAL HC49/FOX120	1
6405	RED 3MM LED 1V7 5MA BRT	1
6825	1N4148 75V 0A45 DIODE T&R	2
6438	1N4004 400V 1A0 DIODE T&R	3
6487	1N5822 40V 3A0 DIODE SCHTKY	3
6461	1N5240BRL 10V0 0W5 ZENER 5% T&R	1
6855	NJM7805FA TO220 P 5V0 REG IS V1	1
5101	BC550C TO92 NPN TRAN T&R TB	2
5102	BC560C TO92 PNP TRAN T&R TB	6
6935	1455P1 IC SINGLE TIMER	1
6961	80C51BH IC CPU/ROM FOR LP-304	1
6470	MAC15A6FP TO220 15A TRIAC 400V	4
6862	MOC3011 OPTO-COUPLER	4
6481	0.5A 60 PTC CURRENT LIMITER	1
5404	.27P 100V 10%CAP T&R BEAD NPO	2
5308	.47N 50V 10%CAP T&R BEAD X7R	1
5314	100N 50V 10%CAP T&R BEAD X7R	5
5827	150N 250V 20%CAP BLK 'X2' 15MM AC	5
5259	.4U7 63V 20%CAP T&R RAD .2"EL	1
5888	2200U 25V 20%CAP BLK 16X25MM EL	1
2448	15.0 AMP CIRCUIT BREAKER	1
3769	.100UH COIL 18AGW ZOBEL FER CORE	4
3464	WIRE TO BOARD CRIMP 18-24 AWGT/LEAD	7
3490	CLIP 250X032 14-16AWG DISCO/INSL	2
3499	CLIP 250X032 14-16AWG FEMALE BULK	8
3682	250 MALE PCB TAB BULK CARTRIGE	8
3922	XLR FEML PCB MT HORZ THIN SNAP-IN	1
3923	XLR MALE PCB MT HORZ MTHOLE-V SNAP	1
3451	EYELET SMALL 0.089 OD PLATED	8
3542	EYELET LARGE SE44 TIN-PLAT BRASS	6
3414	INTERNATIONAL PC MOUNT FUSEHOLDER	2
2431	0.200 AMP SLO-BLO .25X1.25 FUSE	1
9902	GEL SET FOR DB-304	1
3501	B52200F006 COMP WASH #4 SMALL	4
8855	SCREWKNOB 5/16"18 X 1" SUPERSTAR	1
3795	#8 GROUND LUG ZIERICK 505-169	6
3810	4" NYLON CABLE TIE	12
9904	PAR 56 LIGHT FIXTURE ALUMINUM	4
3479	12'3/16 SJT AC LINE CORD BLACK 250"	1
3829	HEYCO #1207 STRAIN RELIEF	5
8261	GE VELVET LEXAN .007" X 12" X 24"	0.5
9903	300 WATT PAR_56 NSP BULB	4
8900	YORKVILLE WARRANTY CARD 2-YR UNLTD.	1
8793	4-40 HEX NUT ZINC	4
8800	6-32 KEPS NUT ZINC	11
8787	8-32 KEPS NUT ZINC	1
8848	5/16 WELDNUT	1
8883	1/2 X 13 NYLON INSERT LOCK NUT	4
4597	22AWG STRAN TC WIR JMP	8
4599	22AWG SOLID SC WIR T&R JMP	12
5299	24AWG SOLID SC WIR RAD JMP	3
4617	1/2W 47R 5% T&R RES	4
4819	1/4W 180R 5% T&R RES	4
4855	1/4W 330R 5% T&R RES	1
4881	1/4W 360R 5% T&R RES	4
4821	1/4W 470R 5% T&R RES	1
4823	1/4W 1K 5% T&R RES	2
4827	1/4W 4K7 5% T&R RES	8
4829	1/4W 10K 5% T&R RES	3
4838	1/4W 100K 5% T&R RES	1
4886	1/4W 200K 5% T&R RES	1
4842	1/4W 330K 5% T&R RES	2
8741	4-40 X 1/2 PAN PH MS JS500	4
8842	#4 X 5/16 PAN QUAD TYPE A JS500 BLK	4
8799	#6 X 1/4 PAN PH TYPE B JS500	2
8801	6-32 X 3/8 PAN PH TAPTITE JS500	13
8830	6-32 X 7/8 PAN PH MS JS500	3
8803	8-32 X 3/8 PAN QUAD TAPTITE JS500	18
8815	8-32 X 3/4 PAN PH TAPTITE JS500	1
8762	10-32 X 1/2 TRUSS QUAD TAPTITE JS500	4
8783	10-32 X 1 PAN QUAD TT JS500 BLACK	1
8860	1/2-13 X 1 1/4 HEX CAP SCREW ZINC	2
8882	1/2-13 X 5 BOLT ZINC	2
3744	SNAP IN .375 SPACER RICCO	3
3833	8 X 3/8 (250 OD,.171 ID)NY SPACER	1
8884	.505 I. D. SPRING TENSION WASHER	4
8852	#6 INTERNAL TOOTH LOCKWASHER	1
8820	#8 FLAT WASHER JS500	1
8463	1.468 X .515 X .05 NYLON WASHER BLK	4
1234	G-20/LP-304 LP-504D XFMR	1

U:\M1031V15.PRN

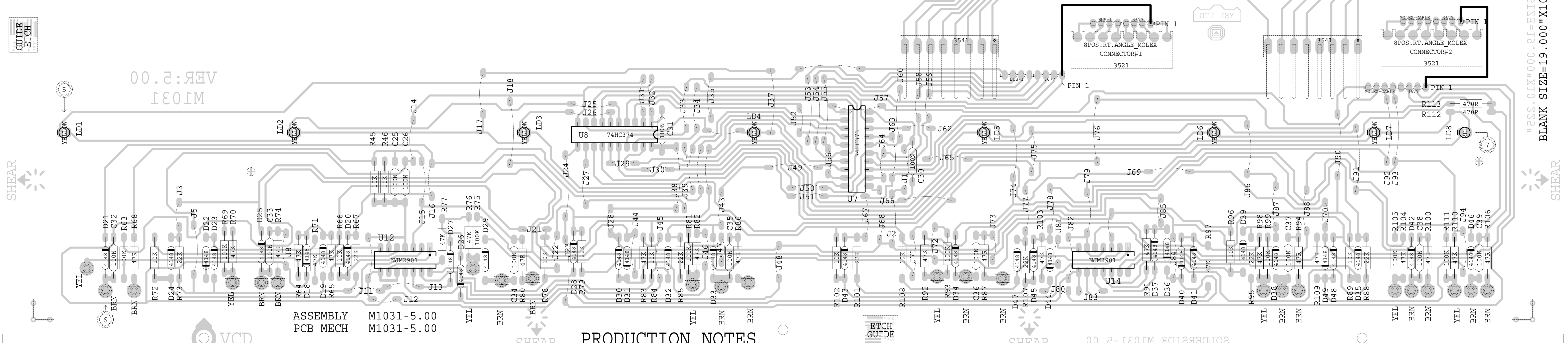
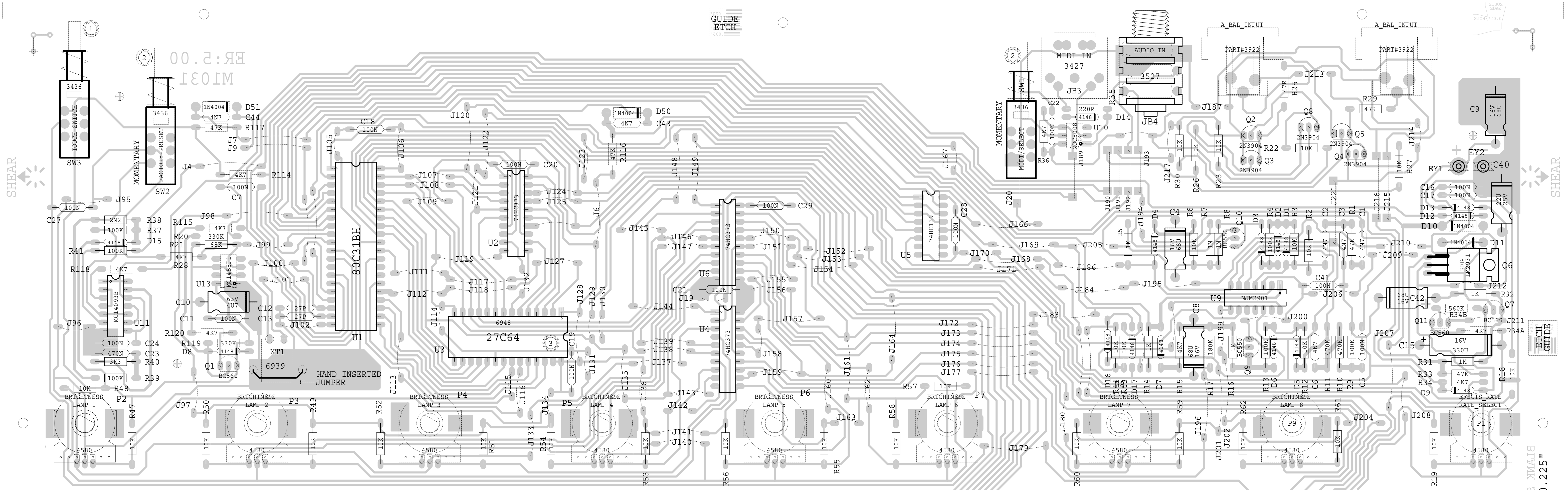


NOTES;  
THESE PARTS ADDED TO ELIMINATE  
MEMORY LOSS AFTER SHUT DOWN

NOTES;  
ALL UNMARKED DIODES ARE 1N4148  
WHEN MEMORY IS LOST, LOAD FACTORY PRESET  
BEFORE USING  
LM339 Vcc 3, GND 12

YORKVILLE SOUND LTD	FOR MODEL(S): LP608	PCB #: M1031
DESIGN BY: TOM.WOOD	DRAWN BY: VIC.S	DWG #: 1 OF 1
CAD FILE NAME: C:\PCAD\EXE\C\M1031.SCH	PCB VER: M1031-5.00	SCH ISSUE: 5.00
DATE: MAR/21/05	TITLE: FOOT-CONTROLLER	

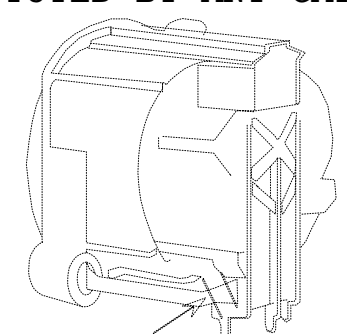




ASSEMBLY M1031-5.00  
PCB MECH M1031-5.00

PRODUCTION NOTES

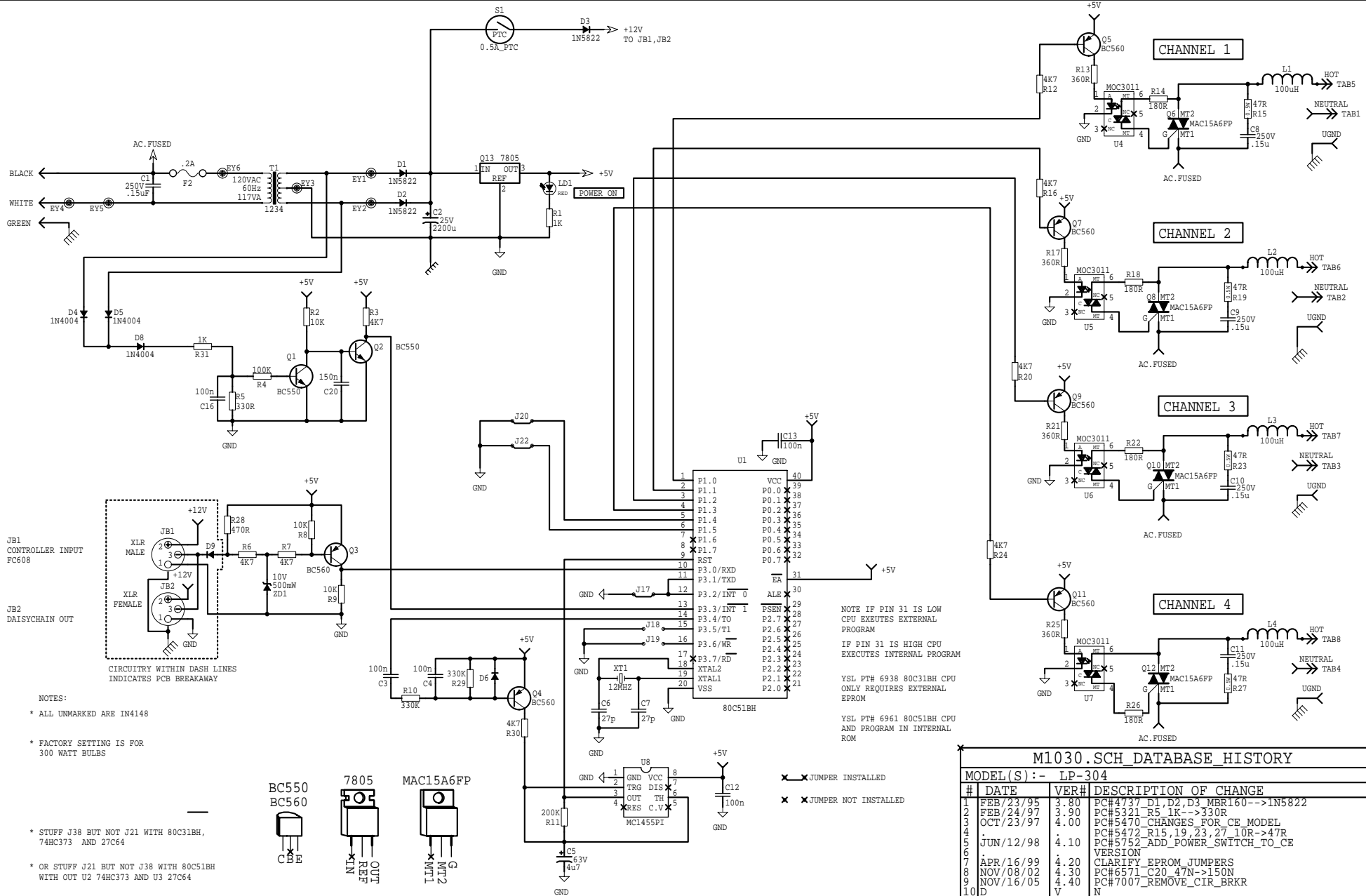
C4,C8,C9,C42 #5943 68u AXIAL IS SUBSTITUTED BY ANY CAP 47u->110u 10V MIN



THIS CONNECTION MUST BE  
BROKEN HERE

M1031.PCB_DATABASE_HISTORY		
MODEL(S) :- LP-608		
#	DATE	VER# DESCRIPTION OF CHANGE
1	OCT/15/97	4.00 PC#5471 REPLACE XLR'S #3660->#3922
2	OCT/15/04	4.10 FIX ROUTERD HOLES FOR SWITCHES
3	MAR/21/05	5.00 PC#6843 MASK SPREAD TO 0.030"
4	D	N
5	D	N
6	D	N
7	D	N
8	D	N
9	D	N
10	D	N
11	D	N

"PCSS-01X"000-CL-EN12 VMA1B  
BLANK SIZE=19.000"X10.225"

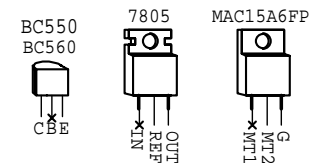


BLACK ←  
 WHITE ← EY4  
 GREEN ← EY5

JB1  
 CONTROLLER INPUT  
 FC608  
 XLR MALE  
 JB2  
 DAISYCHAIN OUT  
 XLR FEMALE

CIRCUITRY WITHIN DASH LINES  
 INDICATES PCB BREAKAWAY

- NOTES:
- \* ALL UNMARKED ARE IN4148
  - \* FACTORY SETTING IS FOR 300 WATT BULBS
  - \* STUFF J38 BUT NOT J21 WITH 80C31BH, 74HC373 AND 27C64
  - \* OR STUFF J21 BUT NOT J38 WITH 80C51BH WITH OUT U2 74HC373 AND U3 27C64



NOTE IF PIN 31 IS LOW  
 CPU EXECUTES EXTERNAL  
 PROGRAM  
 IF PIN 31 IS HIGH CPU  
 EXECUTES INTERNAL PROGRAM

YSL PTH# 6938 80C31BH CPU  
 ONLY REQUIRES EXTERNAL  
 EPROM

YSL PTH# 6961 80C51BH CPU  
 AND PROGRAM IN INTERNAL  
 ROM

✕ ✕ JUMPER INSTALLED  
 ✕ ✕ JUMPER NOT INSTALLED

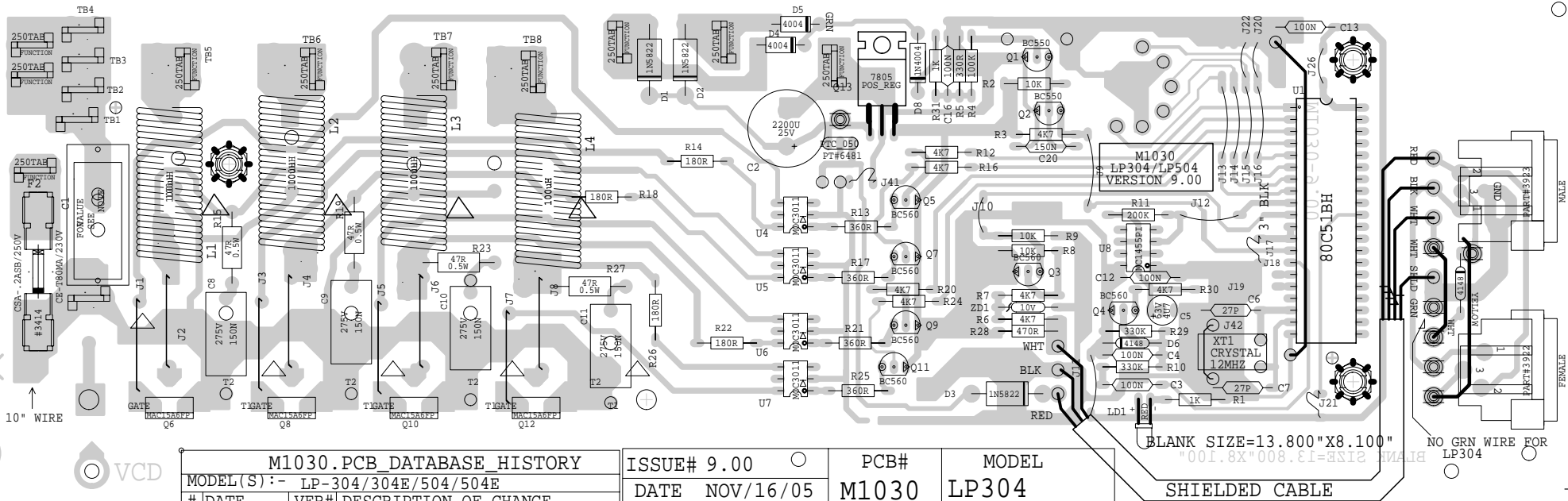
M1030.SCH_DATABASE_HISTORY			
MODEL(S) :- LP-304			
#	DATE	VER#	DESCRIPTION OF CHANGE
1	FEB/23/95	3.80	PC#4737_D1,D2,D3_MBR160-->1N5822
2	FEB/24/97	3.90	PC#5321_R5_1K-->330R
3	OCT/23/97	4.00	PC#5470_CHANGES_FOR_CE_MODEL
4			PC#5472_R15,19,23,27_10R->47R
5	JUN/12/98	4.10	PC#5752_ADD_POWER_SWITCH_TO_CE
6			VERSION
7	APR/16/99	4.20	CLARIFY EPROM_JUMBERS
8	NOV/08/02	4.30	PC#6571_C20_47N->150N
9	NOV/16/05	4.40	PC#7007_REMOVE_CIR_BRKR
10	D	V	N

YORKVILLE	DATE: NOV/16/2005	MODELS: LP-304 LP-304E	SCH ISSUE: 4.40
	NAME: M1030.SCH	PCB#&VER: M1030	TITLE: DIMMER_BAR



ASSEMBLY M1030-9.C  
PCB MECH M1030-9.C  
ETCH GUIDE

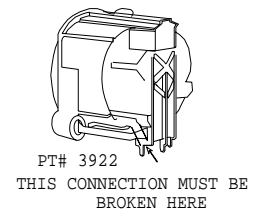
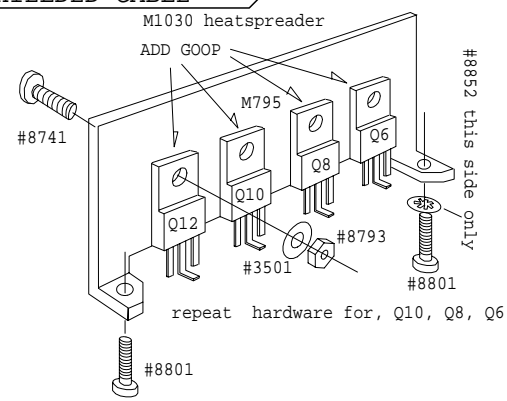
SHEAR



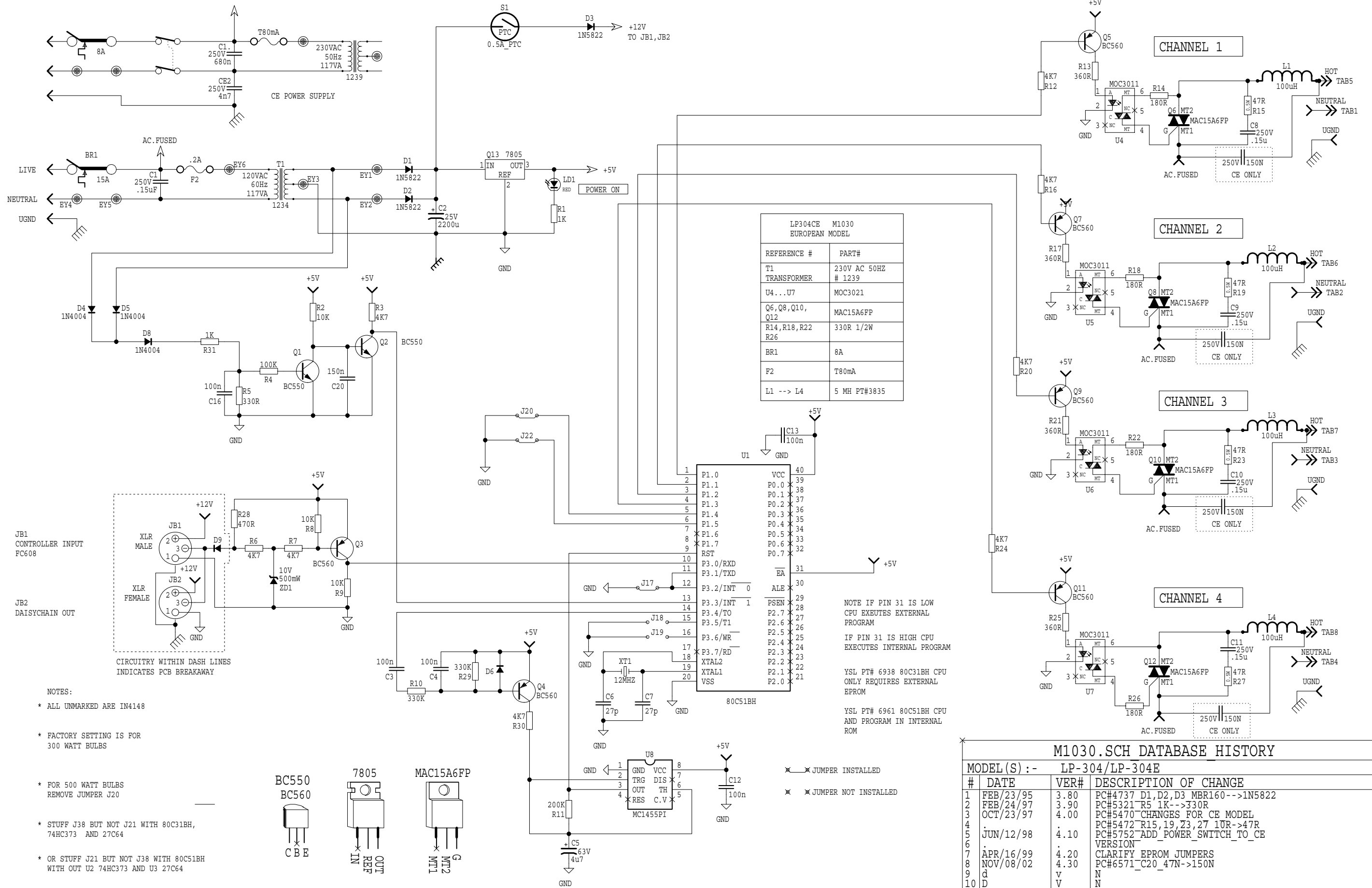
M1030.PCB_DATABASE_HISTORY			
MODEL(S) :- LP-304/304E/504/504E			
#	DATE	VER#	DESCRIPTION OF CHANGE
1	FEB/22/94	3.80	PC#4739 LP504/504E E POINT OF
2	.	.	. 12V SUPPLY FOR M505 CHANGED
3	.	.	PC#4737 D1,D2,D3 FROM MBR150 TO
4	.	.	. 1N5822
5	JUL/17/95	.	PC4862 PAD ADDED FOR NEW AC CAP
6	FEB/24/97	3.81	PC#5321 R5 1K-->330R
7	OCT/09/97	4.00	PC#5470 FOR LP304CE C1 150N
8	.	.	->680N ADD_C14_680N,NEW_XLR'S
9	.	.	NEW CHOKE
10	.	.	PC#5472 R15,R19,R23,R27_10R
11	.	.	->47R 1/2W
12	NOV/20/97	5.00	PC#5524 REDO FOR LP304_CE
13	MAY/28/98	6.00	PC#5720 REDO RE_CSA SPACINGS
14	NOV/07/02	9.10	PC#6571 C20 47N->150N
15	MAR/18/05	7.00	PC#6843 REDO MASK
16	APR/26/05	8.00	PC#6887 REPLACE_AC_EYELETS
17	.	.	WITH TABS
18	NOV/16/05	9.00	PC#7037 REPLACE EYELET AT FUSE
19	.	.	HOLDER_WITH_TAB
20	D	V	N

ISSUE# 9.00	PCB# M1030	MODEL LP304
DATE NOV/16/05		

- ### PRODUCTION NOTES
- INDICATES STRANDED JUMPER WIRE
  - INDICATES SOLID WIRE JUMPER
  - INDICATES RTV
  - VALUE FOR C1 150N 250V FOR N.A. FOR CE 680N PT#5266
  -



BLANK SIZE=13.800"X8.100"  
SHIELDED CABLE  
NO GRN WIRE FOR LP304



LP304CE M1030  
EUROPEAN MODEL

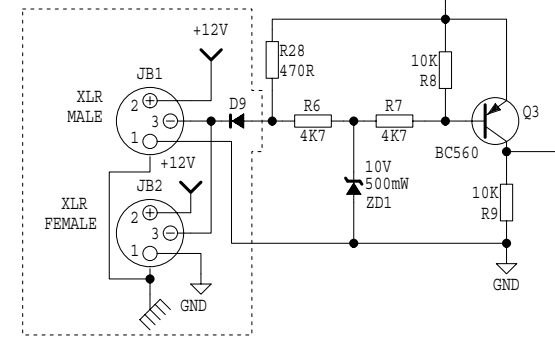
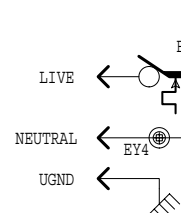
REFERENCE #	PART#
T1 TRANSFORMER	230V AC 50HZ # 1239
U4..U7	MOC3021
Q6,Q8,Q10, Q12	MAC15A6FP
R14,R18,R22 R26	330R 1/2W
BR1	8A
F2	T80mA
L1 --> L4	5 MH PT#3835

1	P1.0	VCC	40
2	P1.1	P0.0	39
3	P1.2	P0.1	38
4	P1.3	P0.1	37
5	P1.4	P0.2	36
6	P1.5	P0.3	35
7	P1.6	P0.4	34
8	P1.7	P0.5	33
9	RST	P0.6	32
10	P3.0/RXD	P0.7	31
11	P3.1/TXD	EA	31
12	P3.2/INT 0	ALE	30
13	P3.3/INT 1	PSEN	29
14	P3.4/TO	P2.7	28
15	P3.5/T1	P2.6	27
16	P3.6/WR	P2.5	26
17	P3.7/RD	P2.4	25
18	XTAL2	P2.3	24
19	XTAL1	P2.2	23
20	VSS	P2.1	22
		P2.0	21

NOTE IF PIN 31 IS LOW  
CPU EXECUTES EXTERNAL  
PROGRAM  
IF PIN 31 IS HIGH CPU  
EXECUTES INTERNAL PROGRAM

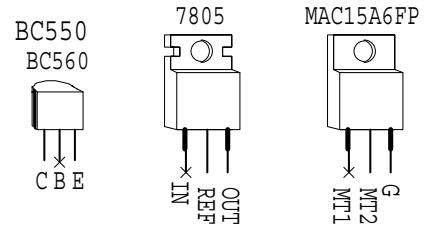
YSL PT# 6938 80C31BH CPU  
ONLY REQUIRES EXTERNAL  
EPROM

YSL PT# 6961 80C51BH CPU  
AND PROGRAM IN INTERNAL  
ROM



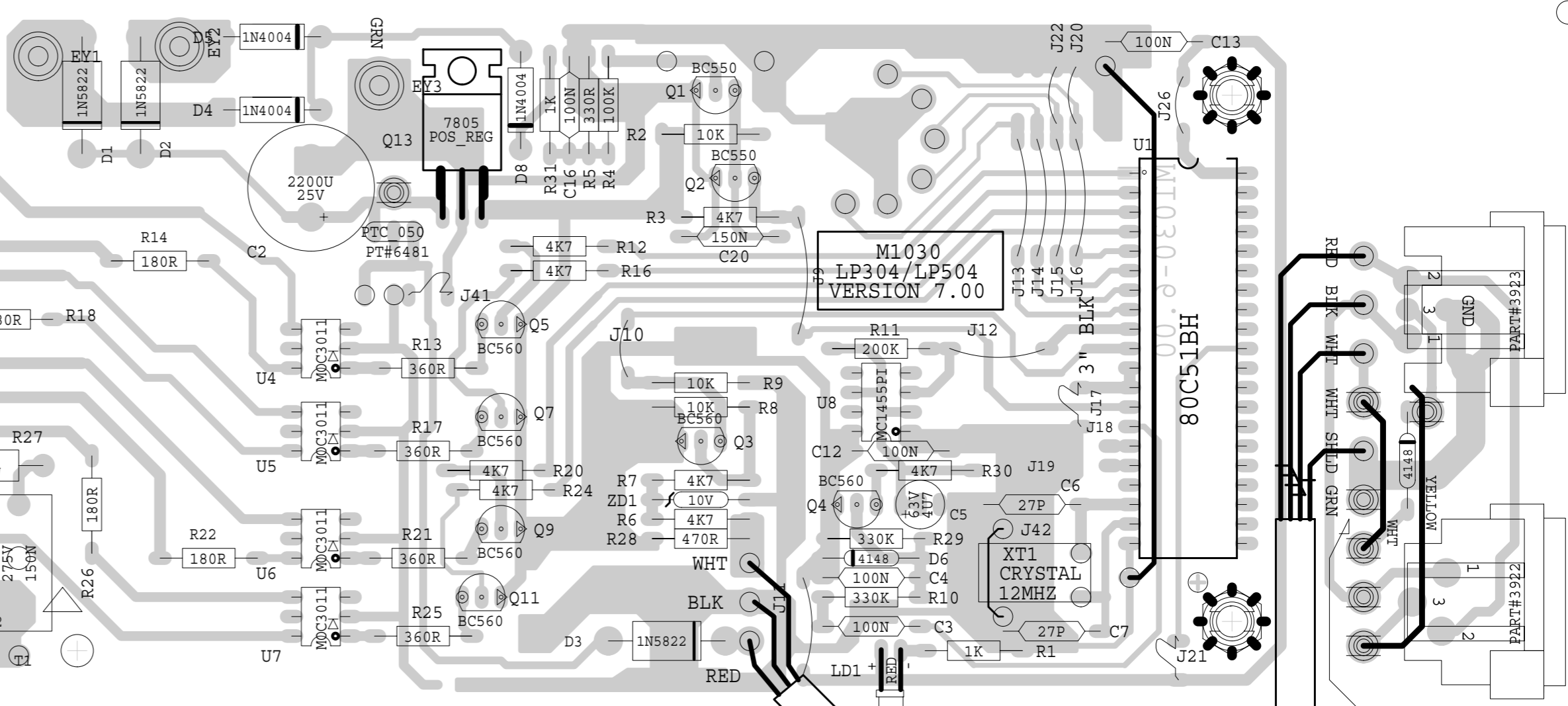
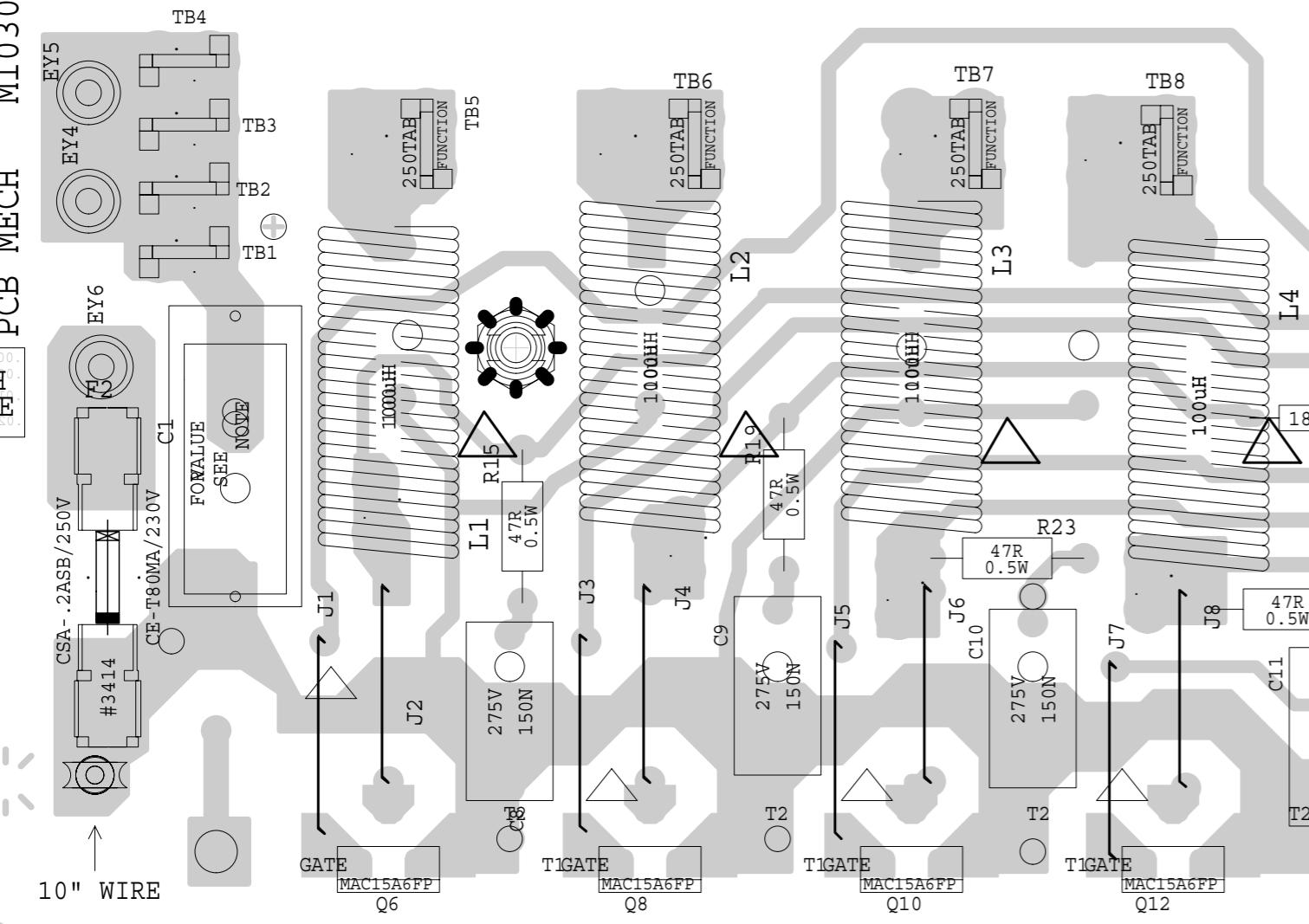
CIRCUITRY WITHIN DASH LINES  
INDICATES PCB BREAKAWAY

- NOTES:
- \* ALL UNMARKED ARE IN4148
  - \* FACTORY SETTING IS FOR 300 WATT BULBS
  - \* FOR 500 WATT BULBS REMOVE JUMPER J20
  - \* STUFF J38 BUT NOT J21 WITH 80C31BH, 74HC373 AND 27C64
  - \* OR STUFF J21 BUT NOT J38 WITH 80C51BH WITH OUT U2 74HC373 AND U3 27C64



M1030.SCH DATABASE HISTORY

MODEL(S) :- LP-304/LP-304E			
#	DATE	VER#	DESCRIPTION OF CHANGE
1	FEB/23/95	3.80	PC#4737 D1,D2,D3 MBR160-->1N5822
2	FEB/24/97	3.90	PC#5321 R5 1K-->330R
3	OCT/23/97	4.00	PC#5470 CHANGES FOR CE MODEL
4			PC#5472 R15,19,23,27 10R->47R
5	JUN/12/98	4.10	PC#5752_ADD_POWER_SWITCH_TO_CE
6			VERSION
7	APR/16/99	4.20	CLARIFY EPROM JUMPERS
8	NOV/08/02	4.30	PC#6571_C20_47N->150N
9	d	v	N
10	D	V	N



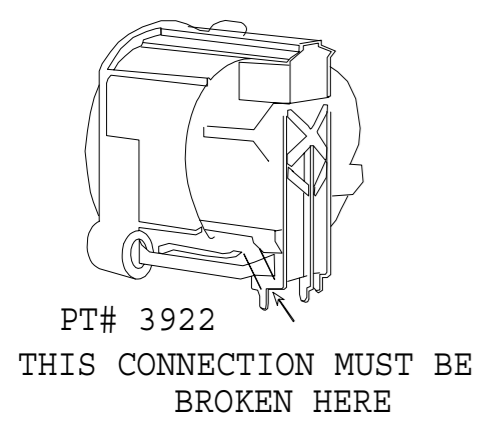
**M1030.PCB DATABASE HISTORY**

MODEL(S) :- LP-304/304E/504/504E

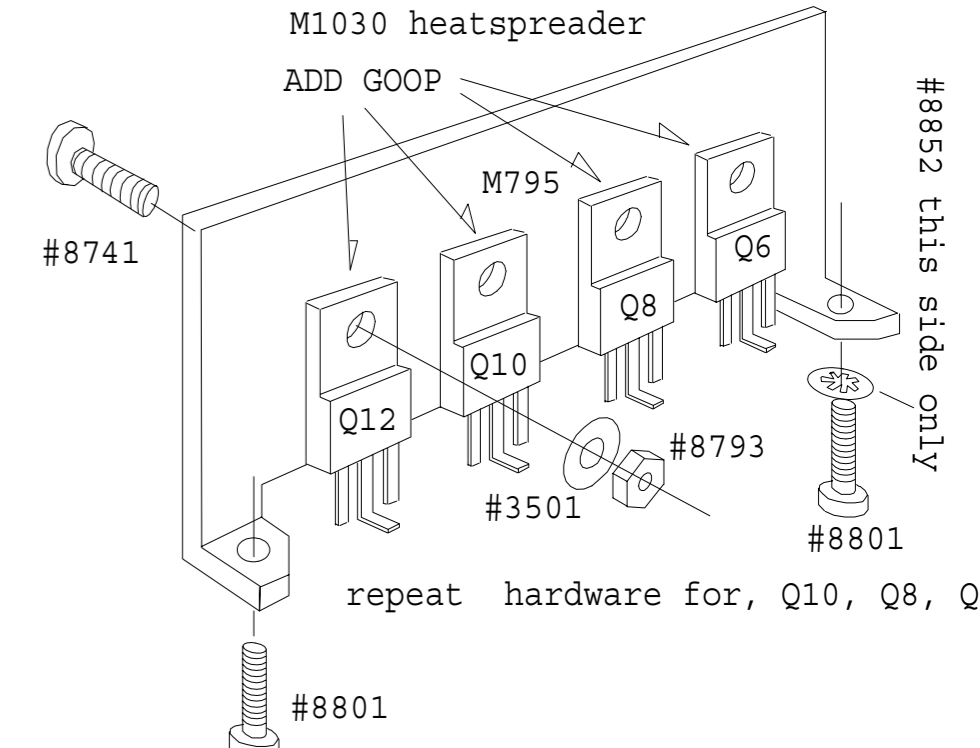
#	DATE	VER#	DESCRIPTION OF CHANGE
1	FEB/22/94	3.80	PC#4739 LP504/504E E POINT OF .12V SUPPLY FOR M505 CHANGED
2	.	.	PC#4737 D1,D2,D3 FROM MBR150 TO 1N5822
3	.	.	.
4	.	.	PC4862 PAD ADDED FOR NEW AC CAP
5	JUL/17/95	.	PC#5321 R5 1K-->330R
6	FEB/24/97	3.81	PC#5470 FOR LP304CE C1 150N -->680N ADD C14_680N,NEW_XLR'S NEW CHOKE
7	OCT/09/97	4.00	PC#5472 R15,R19,R23,R27_10R -->47R 172W
8	.	.	.
9	.	.	PC#5524 REDO FOR LP304 CE
10	.	.	PC#5720 REDO RE CSA SPACINGS
11	NOV/20/97	5.00	PC#6571 C20 47N->150N
12	MAY/28/98	6.00	PC#6843_MASK_SPREAD_TO_30MIL
13	NOV/07/02	6.10	.
14	MAR/21/05	7.00	.
15	D	V	N
16	D	V	N
17	D	V	N
18	D	V	N
19	D	V	N
20	D	V	N

ISSUE# 7.00	PCB# M1030	MODEL LP304
DATE MAR/21/05		

- PRODUCTION NOTES**
- INDICATES STRANDED JUMPER WIRE
  - INDICATES SOLID WIRE JUMPER
  - INDICATES RTV
  - VALUE FOR C1 150N 250V FOR N.A. FOR CE 680N PT#5266
  -

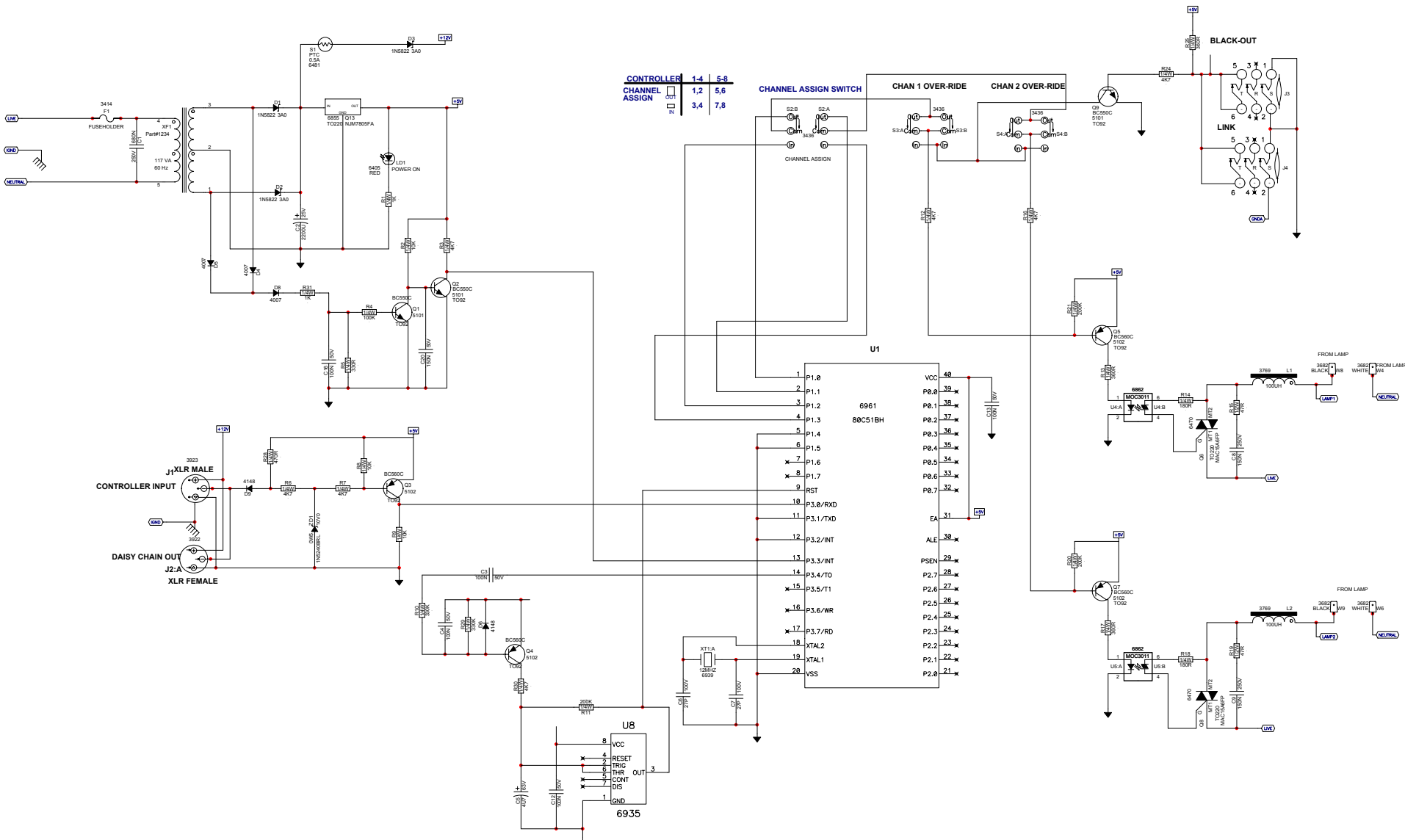


BLANK SIZE=13.800"X8.100"  
 SHIELDED CABLE  
 NO GRN WIRE FOR LP304



#8852 this side only

repeat hardware for, Q10, Q8, Q6



CONTROLLER	1-4	5-8
CHANNEL ASSIGN	1, 2	5, 6
	3, 4	7, 8

M1255 DATABASE HISTORY			
MODEL(S):-	LP-302		
#	DATE	VER#	DESCRIPTION OF CHANGE
1	JAN/2005	1.00	DERIVED FROM M1630
2	1-JUN-2005		AH: PC#6924, CHANGE C1 TO 680N 275V PART#5266
3			
4			
5			
6			
7			
8			
9			
10			
11			
12			
13			

ETCH GUIDE

M1255 DATABASE HISTORY

MODEL(S):- LP-302			
#	DATE	VER#	DESCRIPTION OF CHANGE
1	JAN/2005	1.00	DERIVED FROM M1030
2	1-JUN-2005		AH: PC#6924, CHANGE C1 TO 680N 275V PART#5266
3			
4			
5			
6			
7			
8			
9			
10			
11			
12			
13			

PRODUCTION NOTES

- 1 INDICATES STRANDED JUMPER WIRE
- 2 INDICATES SOLID WIRE JUMPER
- 3 INDICATES RTV

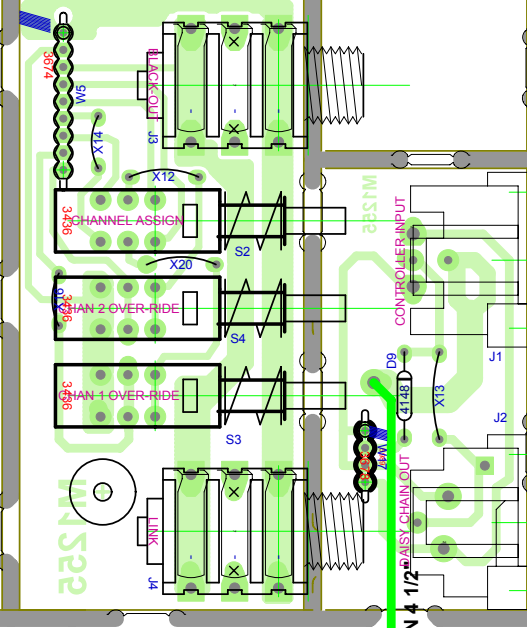
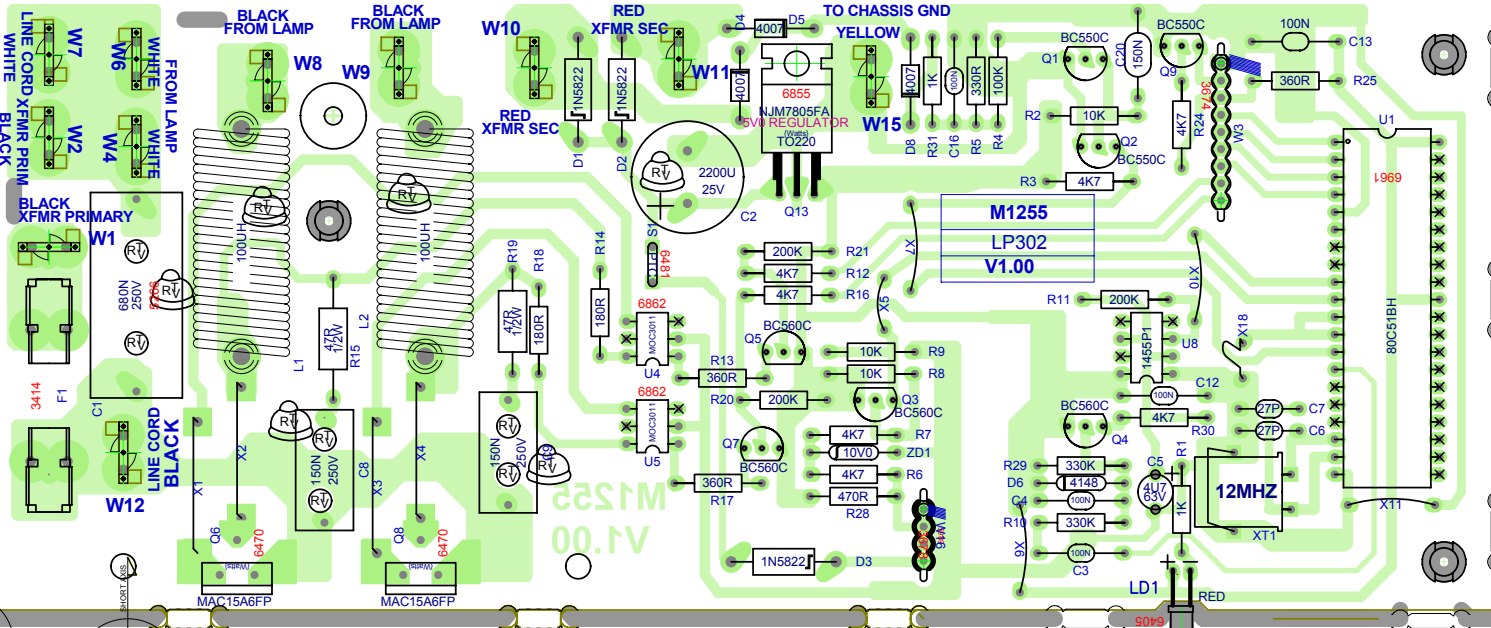
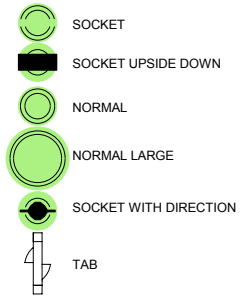
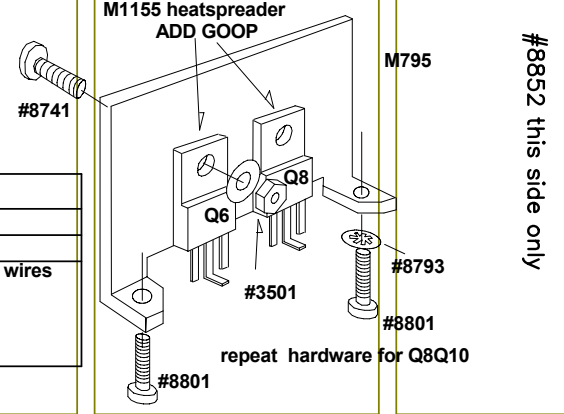
M1255 DRILLING HISTORY

MODEL(S):- LP-302			
#	DATE	VER#	DESCRIPTION OF CHANGE
1			
2			
3			
4			
5			
6			
7			
8			
9			
10			
11			
12			
13			

M1255 PENDING CHANGES

MODEL(S):- LP-302		
#	PC#	PENDING CHANGE
1		
2	PC	Check the Transformer and finilize the color of the sec. wires
3	PC	X
4	PC	X
5	PC	X
6	PC	X

\*PLACE IMPLEMENTED CHANGES INTO BOARD HISTORY



Top Assy M1255 V1.00

StepAndRepeat - X1@0.000Y2@3.600

PcbMech M1255 V1.00 USE 20Z COPPER

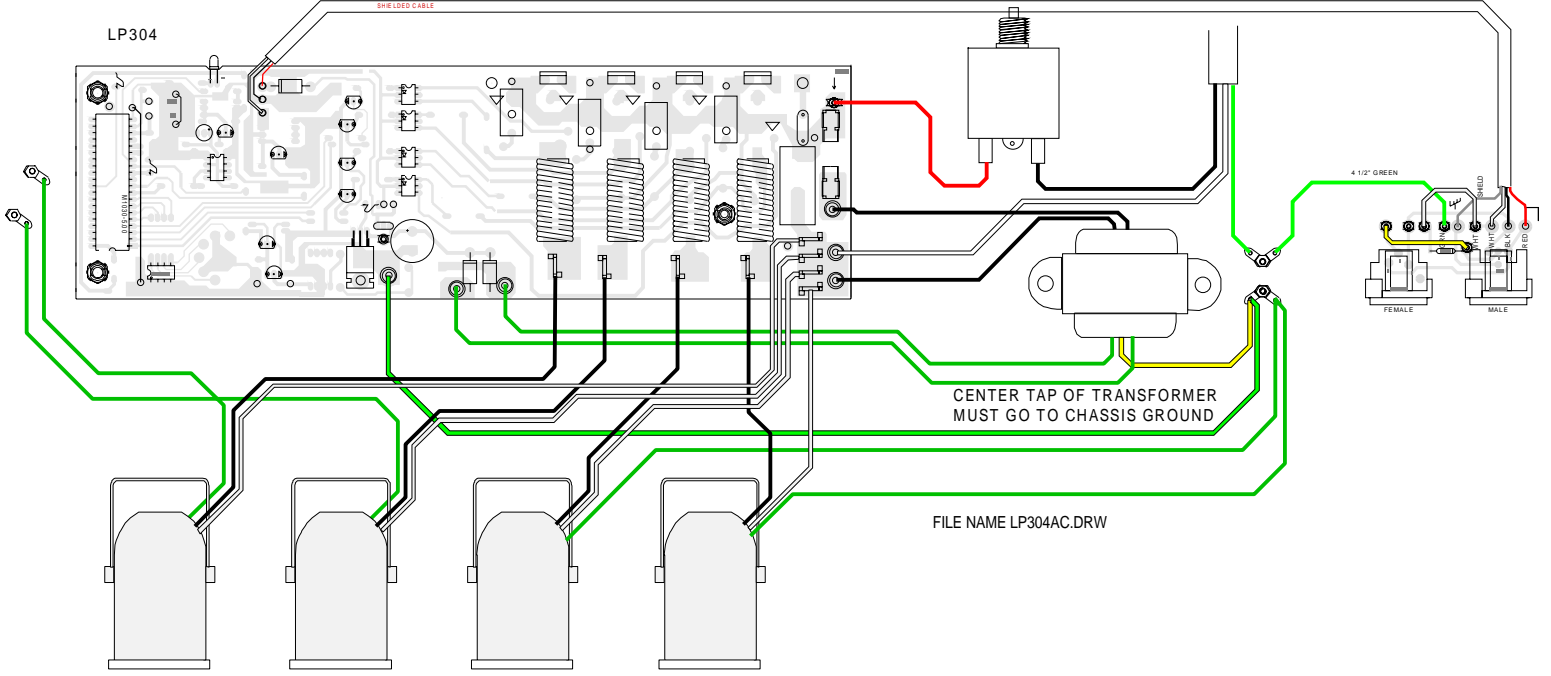
USE 50S COPPER Bottom M1522 V1.00

ETCH GUIDE

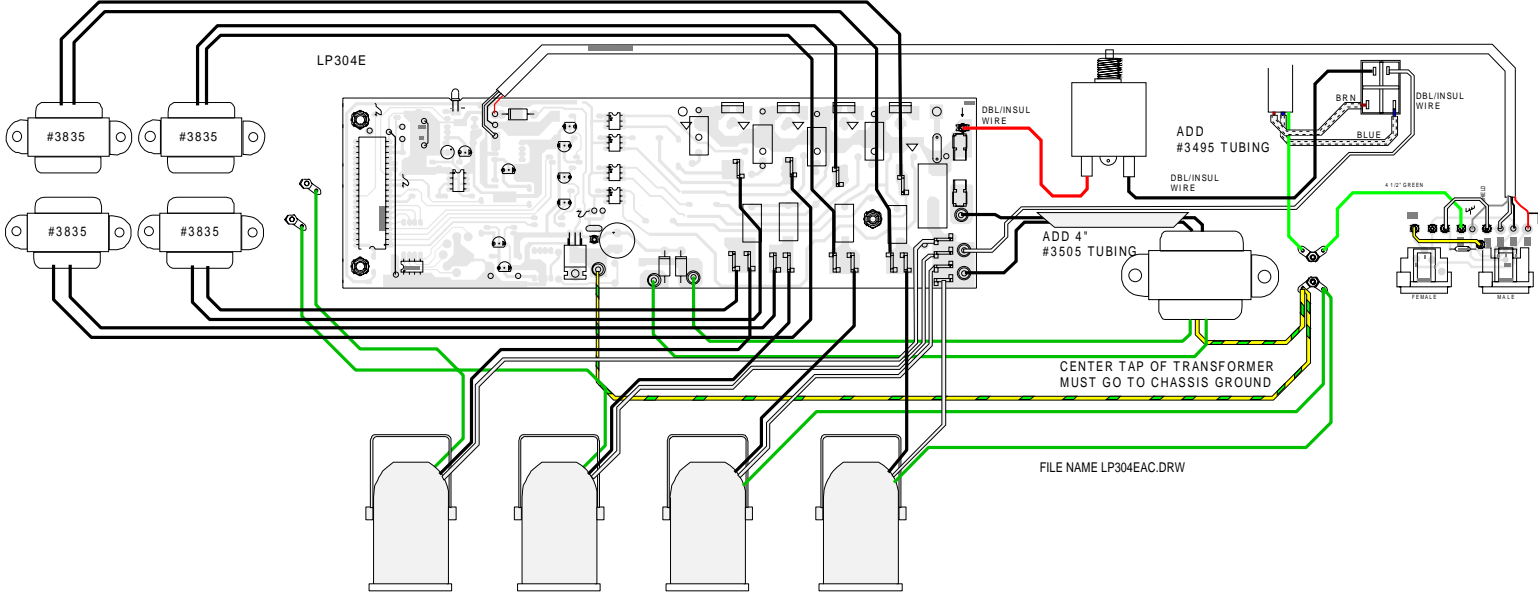
CLINCH ORIGIN

INSERT ORIGIN

ETCH GUIDE









Yorkville Sound Limited

80 Midwest Road Unit 1

Scarborough, Ontario

Canada M1P 4R2

tel. (416) 751-8481 fax (416) 751-8746

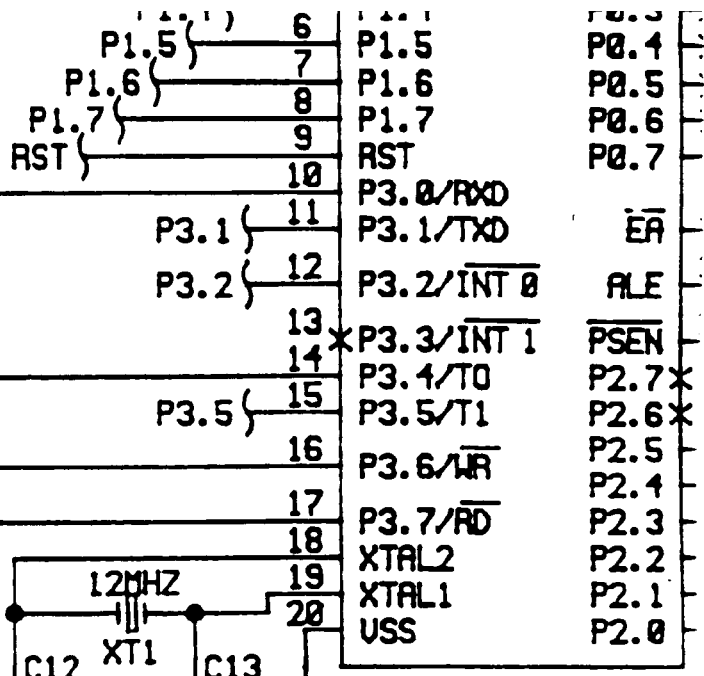
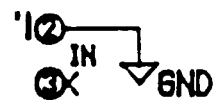
Re LP608

From: TOM WOOD, DESIGN LAB  
To: YSL Service tech's.

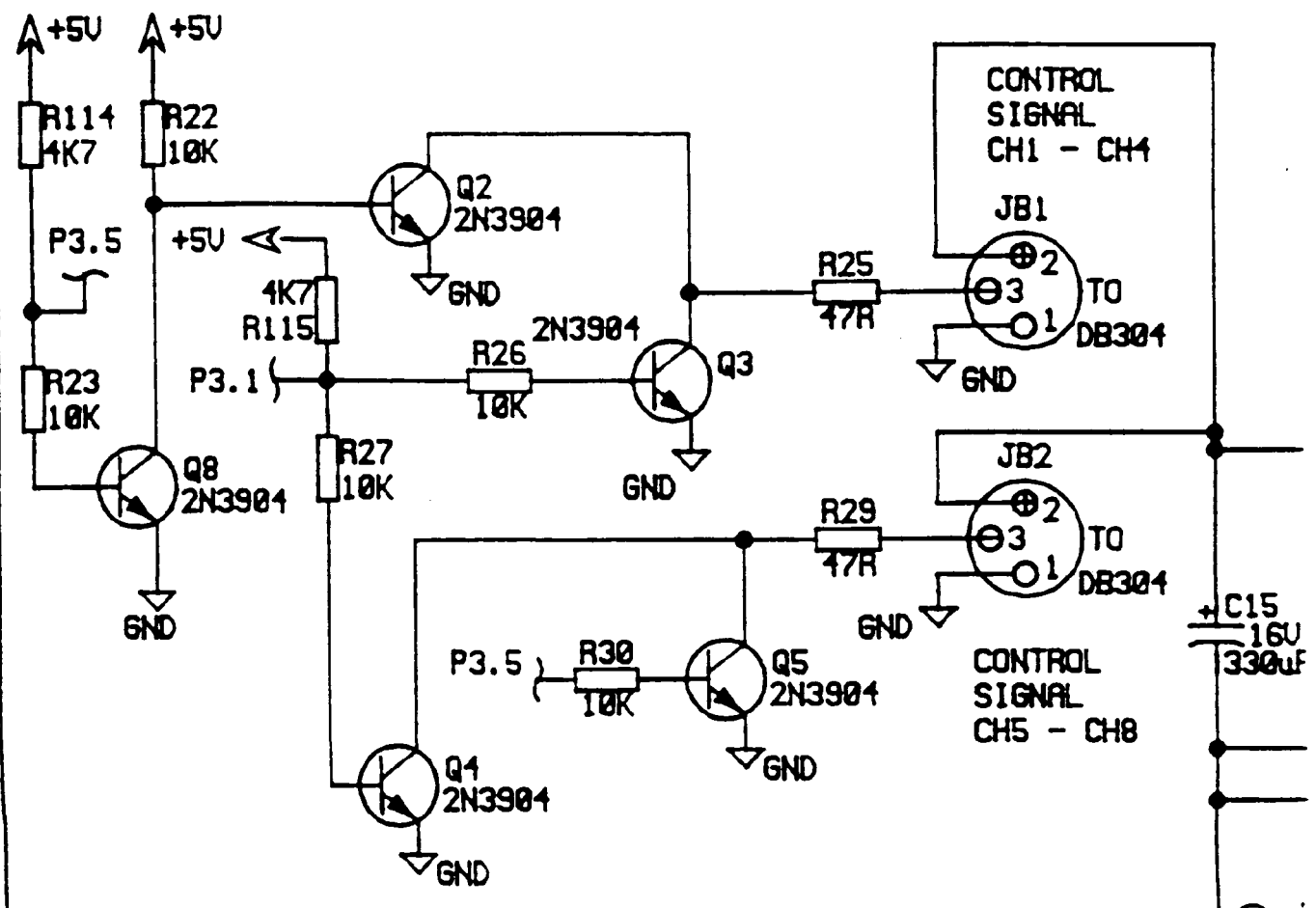
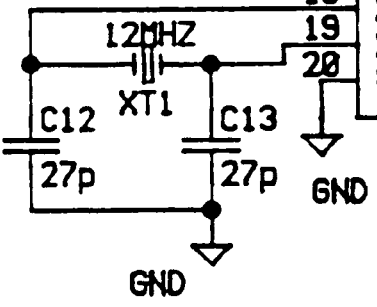
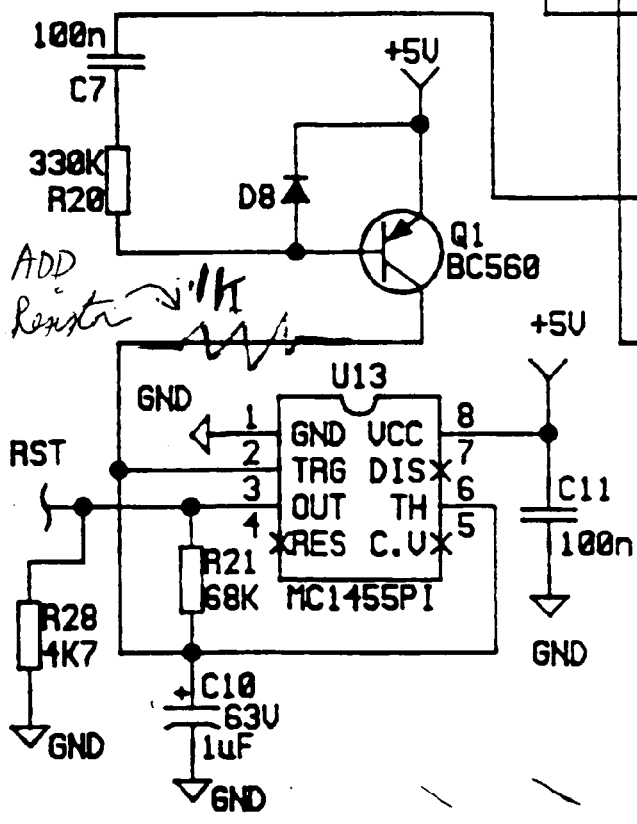
WHEN USING 3 or more ~~BB~~ 304'S  
with LP608 A POWER UP PROBLEM CAN  
OCCUR WHICH WILL PREVENT SYSTEM  
FROM OPERATING. The fix is out lined  
on attached sheets. This consists of adding  
A 1K resistor in series with the collector  
of Q1. This requires removal of cover,  
cutting a trace and soldering in the resistor.

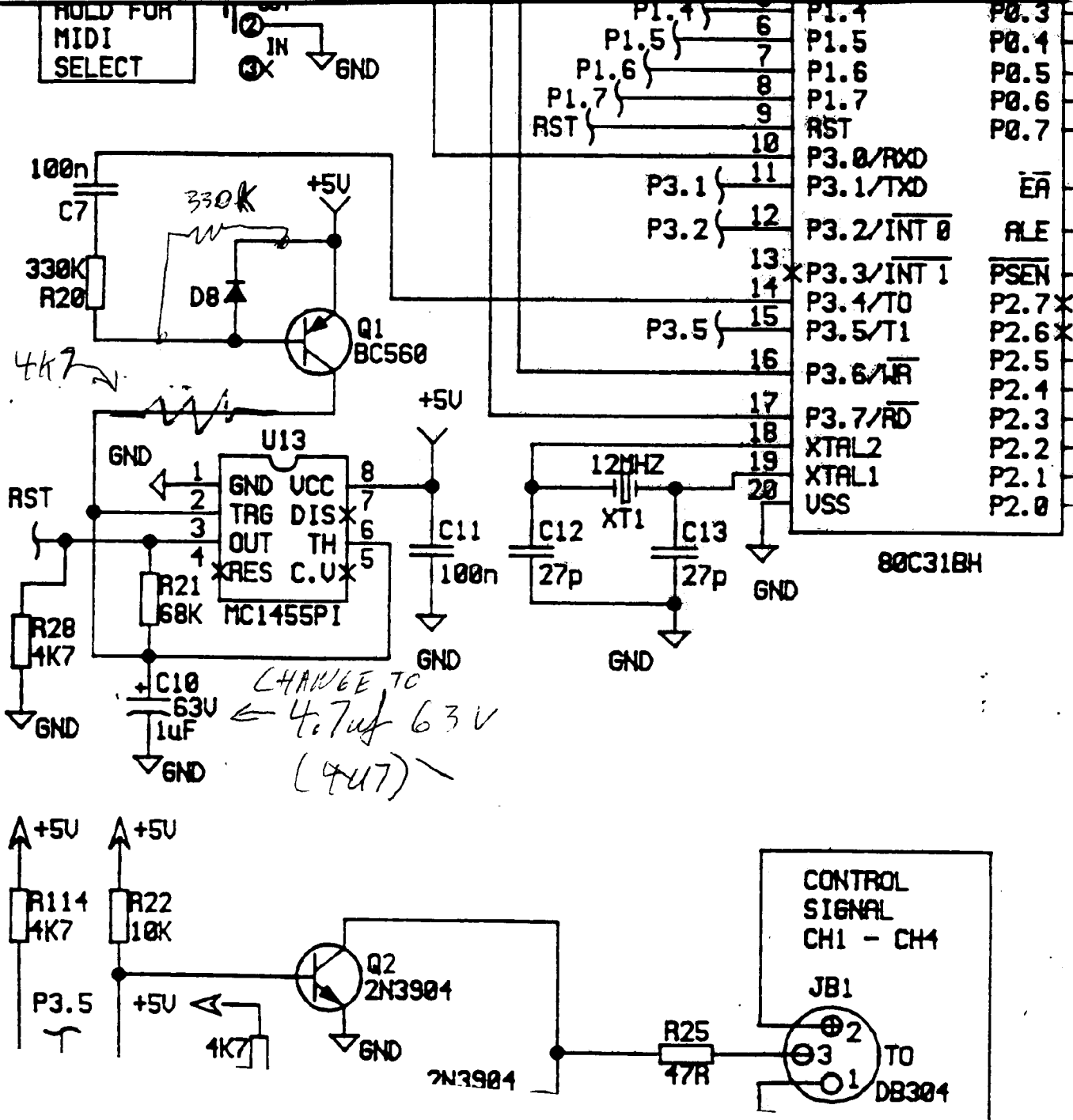
Tom Wood

NOV FOR  
MIDI  
SELECT



80C31BH





UPDATE  
TO LP608 MODIFICATIONS

