



# **SERVICE MANUAL**

## **WORLD HEADQUARTERS CANADA**

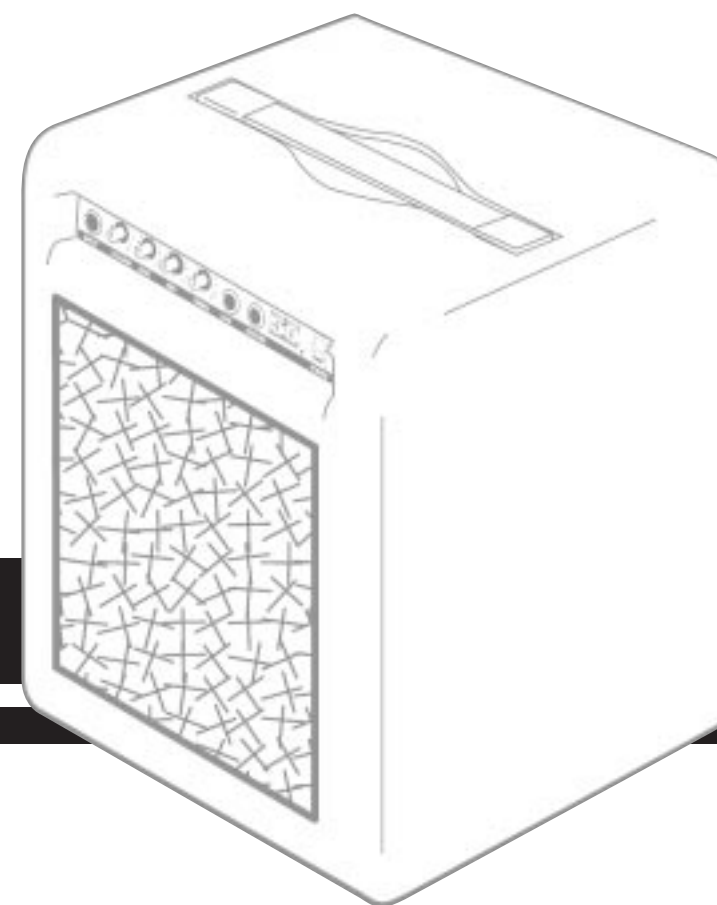
**Yorkville Sound**  
550 Granite Court  
Pickering, Ontario  
L1W-3Y8 CANADA

Voice: (905) 837-8481  
Fax: (905) 837-8746

## **U.S.A.**

**Yorkville Sound Inc.**  
4625 Witmer Industrial Estate  
Niagara Falls, New York  
14305 USA

Voice: (716) 297-2920  
Fax: (716) 297-3689



sm-bm50.pdf Sept/98

**Quality and Innovation Since 1963**  
Printed in Canada

**IMPORTANT SAFETY INSTRUCTIONS**



**INSTRUCTIONS PERTAINING TO A RISK OF FIRE, ELECTRIC SHOCK, OR INJURY TO PERSONS.**

**INSTRUCTIONS RELATIVES AU RISQUE DE FEU, CHOC ÉLECTRIQUE, OU BLESSURES AUX PERSONNES.**

**CAUTION:**  
DO NOT REMOVE COVER (OR BACK). NO USER SERVICEABLE PARTS INSIDE.  
REFER SERVICING TO QUALIFIED SERVICE PERSONNEL.

AFIN DE RÉDUIRE LES RISQUE DE CHOC ÉLECTRIQUE, N'ENLEVEZ PAS LE COUVERT (OU NE CONTIENT AUCUNE PIÈCE RÉPARABLE PAR L'UTILISATEUR.  
CONSULTEZ UN TECHNICIEN QUALIFIÉ POUR L'ENTRETIEN.

**Read Instructions:**

The *Owner's Manual* should be read and understood before operation of your unit. Please, save these instructions for future reference.

**Packaging:**

Keep the box and packaging materials, in case the unit needs to be returned for service.

**Warning:**

When using electric products, basic precautions should always be followed, including the following:

**Power Sources:**

Your unit should be connected to a power source only of the voltage specified in the owners manual or as marked on the unit. This unit has a polarized plug. Do not use with an extension cord or receptacle unless all three blades can be fully inserted to prevent blade exposure. Precautions should be taken so that the grounding scheme on the unit is not defeated.

**Power Cord:**

The AC supply cord should be routed so that it is unlikely that it will be damaged. If the AC supply cord is damaged **DO NOT OPERATE THE UNIT.**

**Service:**

The unit should be serviced only by qualified service personnel.

**Veillez lire le manuel:**

Il contient des informations qui devraient étre comprises avant l'opération de votre appareil. Conservez S.V.P. ces instructions pour consultations ultérieures

**Emballage:**

Conservez la boîte au cas ou l'appareil devait étre retourner pour réparation.

**Warning:**

Attention: Lors de l'utilisation de produits électrique, assurez-vous d'adhérer à des précautions de bases incluant celle qui suivent:

**Alimentation:**

L'appareil ne doit étre branché qu'à une source d'alimentation correspondant au voltage spécifié dans le manuel ou tel qu'indiqué sur l'appareil. Cet appareil est équipé d'une prise d'alimentation polarisée. Ne pas utiliser cet appareil avec un cordon de raccordement à moins qu'il soit possible d'insérer complètement les trois lames. Des précautions doivent étre prises afin d'éviter que le système de mise à la terre de l'appareil ne soit désengagé.

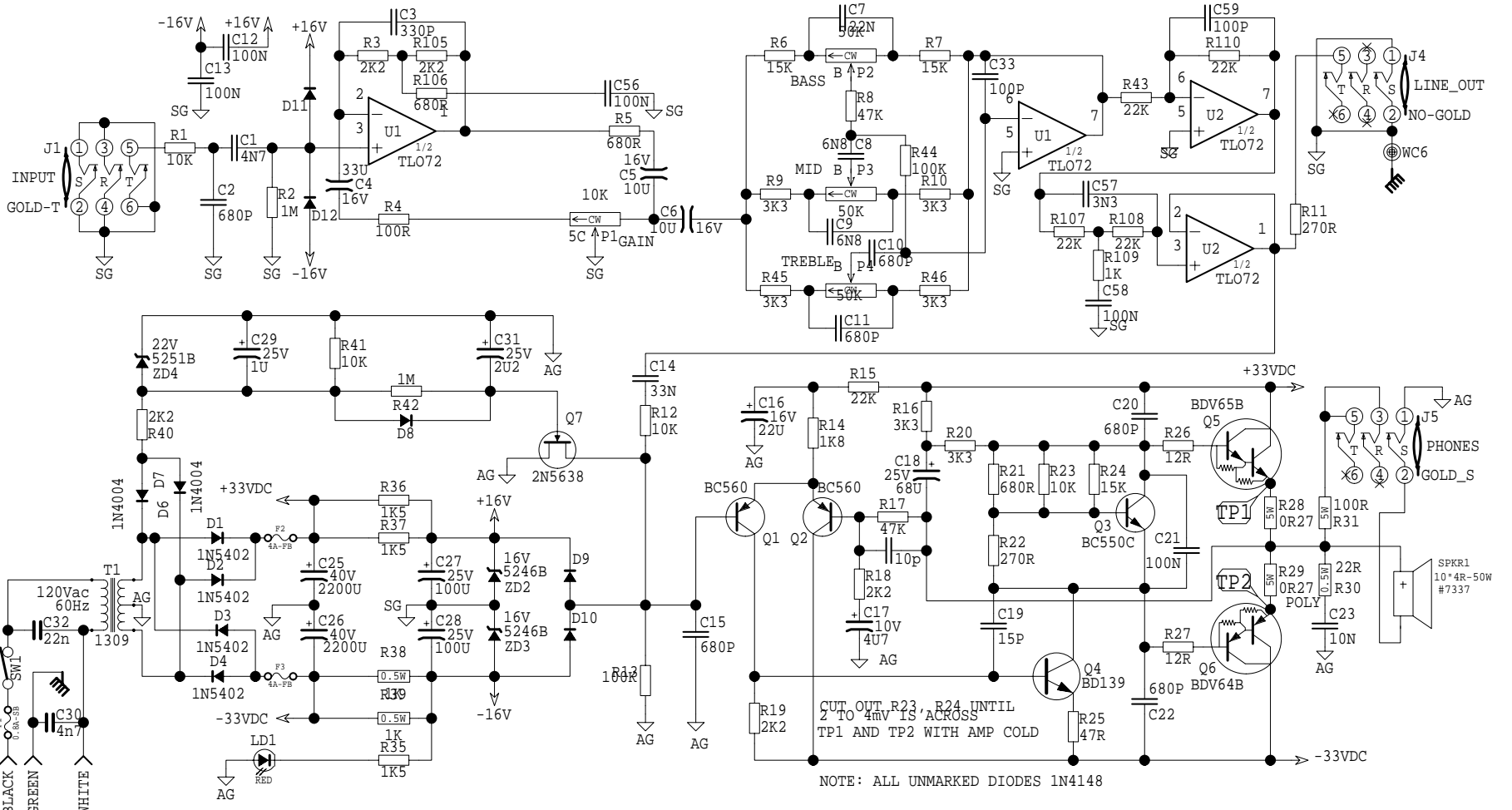
**Cordon d'alimentation:**

Évitez d'endommager le cordon d'alimentation. **N'UTILISEZ PAS L'APPAREIL** si le cordon d'alimentation est endommagé.

**Service:**

Consultez un technicien qualifié pour l'entretien de votre appareil.

YS No.	Description	Qty.	YS No.	Description	Qty.
6405	RED 3MM LED 1V7 5MA BRIGHT PACE	1	4824	1/4W 1K5 5% T&R RES	3
6438	1N4004 400V 1A0 DIODE T&R	2	4825	1/4W 1K8 5% T&R RES	1
6825	1N4148 75V 0A45 DIODE T&R	5	4847	1/4W 2K2 5% T&R RES	5
6827	1N5402 200V 3A0 DIODE	4	4826	1/4W 3K3 5% T&R RES	6
6824	1N5246B 16V0 0W5 ZENER 5% T&R	2	4829	1/4W 10K 5% T&R RES	4
6463	1N5251BRL 22V0 0W5 ZENER 5% T&R	1	4830	1/4W 15K 5% T&R RES	3
5101	BC550C TO92 NPN TRANS. T&R	1	4832	1/4W 22K 5% T&R RES	5
5102	BC560C TO92 PNP TRANS. T&R	2	4834	1/4W 47K 5% T&R RES	2
5119	2N5638 TO92 N CHAN J FETT&R	1	4838	1/4W 100K 5% T&R RES	2
6774	BD139 TO126 NPN TRANS	1	4844	1/4W 1M 5% T&R RES	2
6917	BDV64B TO218 PNP DARLINGTON	1			
6918	BDV65B TO218 NPN DARLINGTON	1			
6882	TL072CP IC FET DUAL OP AMP	2			
5400	_10P 100V 10%CAP T&R TUBULAR NPO	3			
5402	_15P 100V 10%CAP T&R TUBULAR NPO	1			
5410	100P 100V 10%CAP T&R BEAD NPO	2	9815	1/2" POPLAR SELECT 1 4X4 ONLY	0.21
5417	330P 50V 10%CAP T&R BEAD NPO	1	8801	6-32 X 3/8 PAN PH TAPTITE SJ500	2
5420	680P 50V 10%CAP T&R BEAD NPO	6	8828	6-32 X 3/4 PAN PH TAPTITE SJ500	6
5428	_3N3 50V 10%CAP T&R TUBULAR Y5R	1	8876	#6 X 1 1/2 PAN PH TYPE A SJ500	4
5432	_4N7 50V 10%CAP T&R TUBULAR Y5R	1	8624	10-32 X 1/2 HEX HD MS JS500 BLK	2
6451	_4N7 250V 20%CAP AC Y ONLY RAD10MM	1	8756	#10 X 3/4 PAN PH TYPE A JS500 BLACK	8
5376	_6N8 50V 5%CAP T&R BEAD X7R	2	8781	#10 X 7/8 FLAT PHIL TYPE A JS500BLK	6
5834	_10N 250V 20%CAP RAD POLYFILM BULK	1	8843	10-32 X 1 1/8 FLAT PH MS SJ500	2
5304	_22N 50V 10%CAP T&R BEAD X7R	1	8770	1/4-20 X 1 5/16 TRUSS PH MS JS500	4
6435	_22N 275V 20%CAP AC X2 RAD BLK15MM	1	8905	YORKVILLE PRODUCT SCHEMATIC	1
5306	_33N 50V 10%CAP T&R BEAD X7R	1	8656	.171 X 1/4 NYLON SPACER #SP42	5
5314	100N 50V 10%CAP T&R BEAD X7R	5	7337	10" 4R 50W SPEAKER BASS GUITAR	1
5255	_1U 63V 20%CAP T&R RADIAL ELE.2"	1	3511	#6 FLAT WASHER NYLON	2
5257	_2U2 63V 20%CAP T&R RADIAL ELE.2"	1	8852	#6 INTERNAL TOOTH LOCKWASHER	1
5259	_4U7 63V 20%CAP T&R RADIAL ELE.2"	1	8817	#10 FLAT WASHER BLACK OXIDE	2
5281	_10U 16V 20%CAP NONPOLAR T&R .2"	2	3698	SPST ROKR SW QUIK 180° AC PWR BL/BL	1
5260	_22U 50V 20%CAP T&R RADIAL ELE.2"	1	3940	RED 18 AWG TR-64 PREFUSED	2.166
5961	_33U 16V 20%CAP NONPOLAR T&R RAD	1	3941	BLACK 18 AWG TR-64 PREFUSED	2.166
5265	_68U 25V 20%CAP T&R RADIAL ELE.2"	1	3943	GREEN 22 AWG TR64 PREFUSED WIRE	0.25
5267	100U 25V 20%CAP T&R RADIAL ELE.2"	2	3949	18AWG GRN/YLLW STRANDED WIRE	0.416
5887	2200U 50V 20%CAP RADIAL ELECT BULK	2	3958	BLACK 18AWG 36STND WIRE DOUBLE INS	1.333
4409	_10K 5C-REV/AUDIO STYLE"P14"16MM	1	1309	BLOC-40B/40K/40W/50B XFMR	1
4406	_50K 5B-LINEAR STYLE"P14"16MM	3			
711	30 X 50 X 1.5MIL PLASTIC BAG	1			
8547	PLASTIC FOOT BLACK	4			
3467	CLIP 205X032 14-16AWG DISC/INSUL	2			
3489	CLIP 250X032 18-22AWG DISCO/INSL	2			
3491	CLIP 205/187X020 18-22AWG DISCO/INS	2			
3682	250 MALE PCB TAB BULK ON CATRIGE	9			
3498	M203-02 PLAIN PC MNT JK SKT	1			
3523	M203-02A GOLD TIP PC MNT JK SKT	1			
3527	M203-02B GLOD SLV PC MNT JK SKT	1			
3451	0.089 OD SMALL EYELET ELECTROPLATED	4			
3414	INTERNATIONAL PC MOUNT FUSEHOLDER	6			
2468	0.800 AMP SLO-BLO .25X1.25 FUSE	1			
2410	4.0 AMP FAST-BLO .25X1.25 FUSE	2			
8459	9.5" STRAP HANDLE, PLASTIC COVERS	1			
8604	10-32 T NUT	2			
3563	TRANSISTOR MOUNTING BRACKET	1			
3800	BELLY BUTTON #BB1 CORDS CANADA	2			
3804	SNAP ON 1.5" INSULATING BUSHING	1			
3795	#8 GROUND LUG ZIERICK 505-169	1			
3799	ROUND BUMPER BUTTON BLACK	1			
3803	NYLON SECUR-A-TACH MINI PLASTIC TIE	1			
3810	4" NYLON CABLE TIE	6			
3827	SQUARE BUMPER BUTTON BLACK	1			
8693	S ROTARY KNOB GREY	4			
3481	87 3/18 SJT AC LINE CORD 250 CLIPS	1			
3834	HEYCO #1214 STRAIN RELIEF	1			
8800	6-32 KEPS NUT ZINC	7			
8841	10-32 KEPS NUT ZINC	2			
8898	1/4-20 CAGE NUT C7998142027	4			
3830	TO218 PREGREASED MICA 56-78-2AP	2			
4597	22AWG STRAN TC WIR	6			
4599	22AWG SOLID SC WIR T&R	20			
4729	5.0W 0R27 5% BLK RES	2			
4815	1/4W 12R 5% T&R RES	2			
4618	1/2W 22R 5% T&R RES	1			
4817	1/4W 47R 5% T&R RES	1			
4692	5.0W 100R 5% BLK RES	1			
4852	1/4W 100R 5% T&R RES	1			
4867	1/4W 270R 5% T&R RES	2			
4873	1/4W 680R 5% T&R RES	3			
4623	1/2W 1K 5% T&R RES	2			
4823	1/4W 1K 5% T&R RES	1			

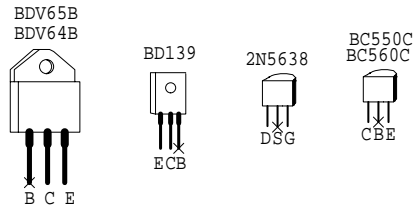


THE 50B BY A.WILSON AND C.CHIU

### M510.SCH\_DATABASE\_HISTORY

MODEL(S):- BM50

#	DATE	VER#	DESCRIPTION OF CHANGE
1	MAR/30/95	3.20	PRIMARY FUSE 0.6ASB->0.8ASB
2	MAY/01/95	3.30	PC#4781 D6/D7 BAV21->1N4004
3	JUN/01/95	3.40	PC#4801 ADD 10P ACROSS R17
4	DEC/09/97	3.50	REBADGED AS_BASSMASTER_50
5	D	V	N
6	D	V	N
7	D	V	N
8	D	V	N
9	D	V	N
10	D	V	N



DATE: DEC/09/97 MODELS: BASS-MASTER\_50

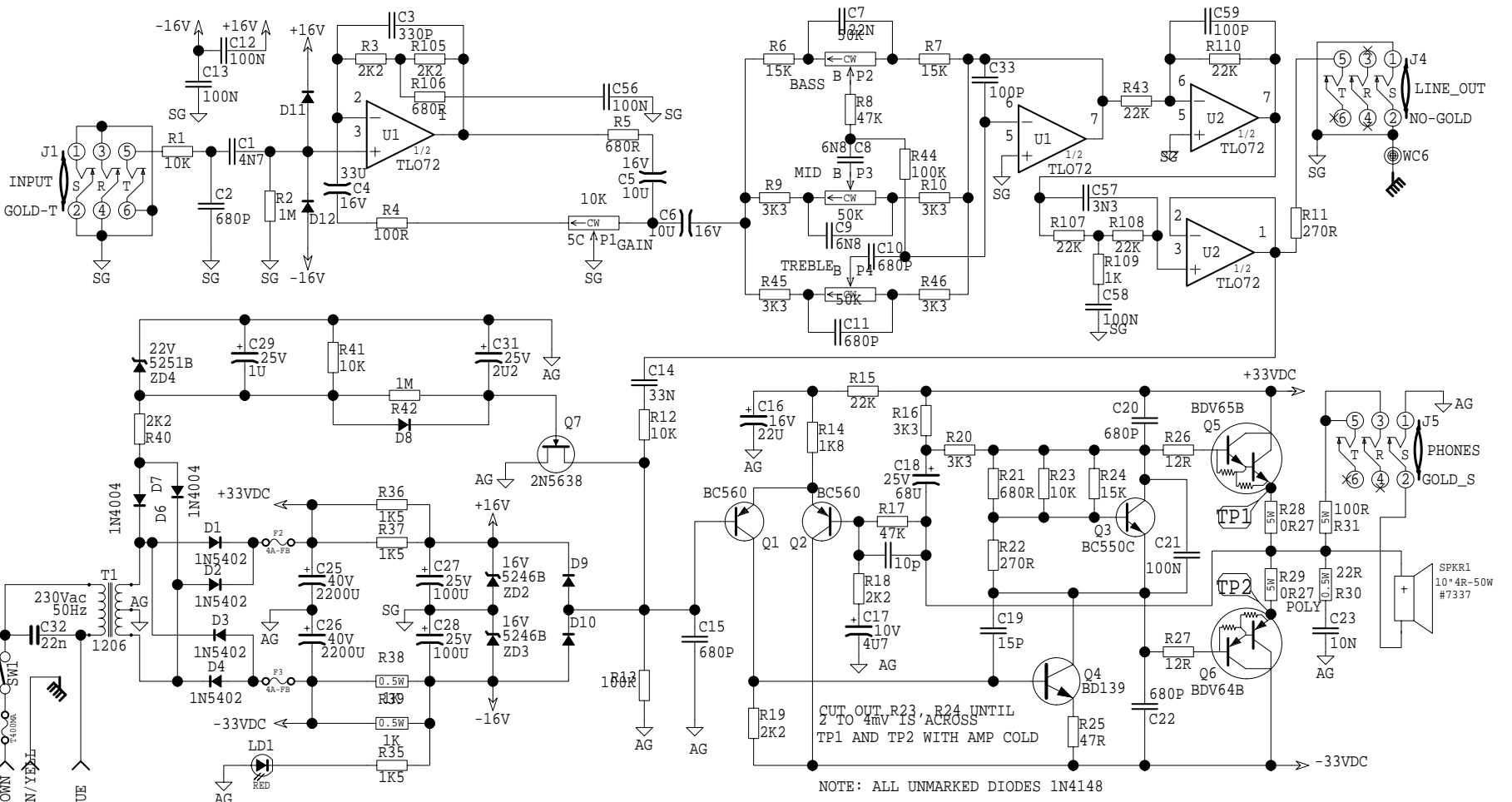
SCH ISSUE: 3.50

YORKVILLE

NAME: BM50.SCH

PCB#&VER: M510

TITLE: BASS\_AMP\_BM50

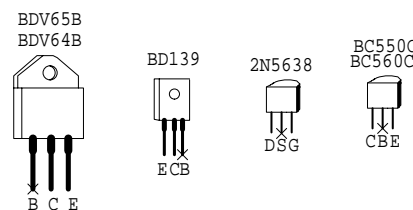


THE 50B BY A.WILSON AND C.CHIU

### M510.SCH\_DATABASE\_HISTORY

MODEL(S):- BM50E

#	DATE	VER#	DESCRIPTION OF CHANGE
1	MAR/30/95	3.20	PRIMARY FUSE 0.6ASB->0.8ASB
2	MAY/01/95	3.30	PC#4781 D6/D7 BAV21->1N4004
3	JUN/01/95	3.40	PC#4801 ADD 10P ACROSS R17
4	DEC/09/97	3.50	REBADGED AS_BASSMASTER_50
5	D	V	N
6	D	V	N
7	D	V	N
8	D	V	N
9	D	V	N
10	D	V	N



DATE: DEC/09/97 MODELS: BASS-MASTER\_50

SCH ISSUE: 3.50

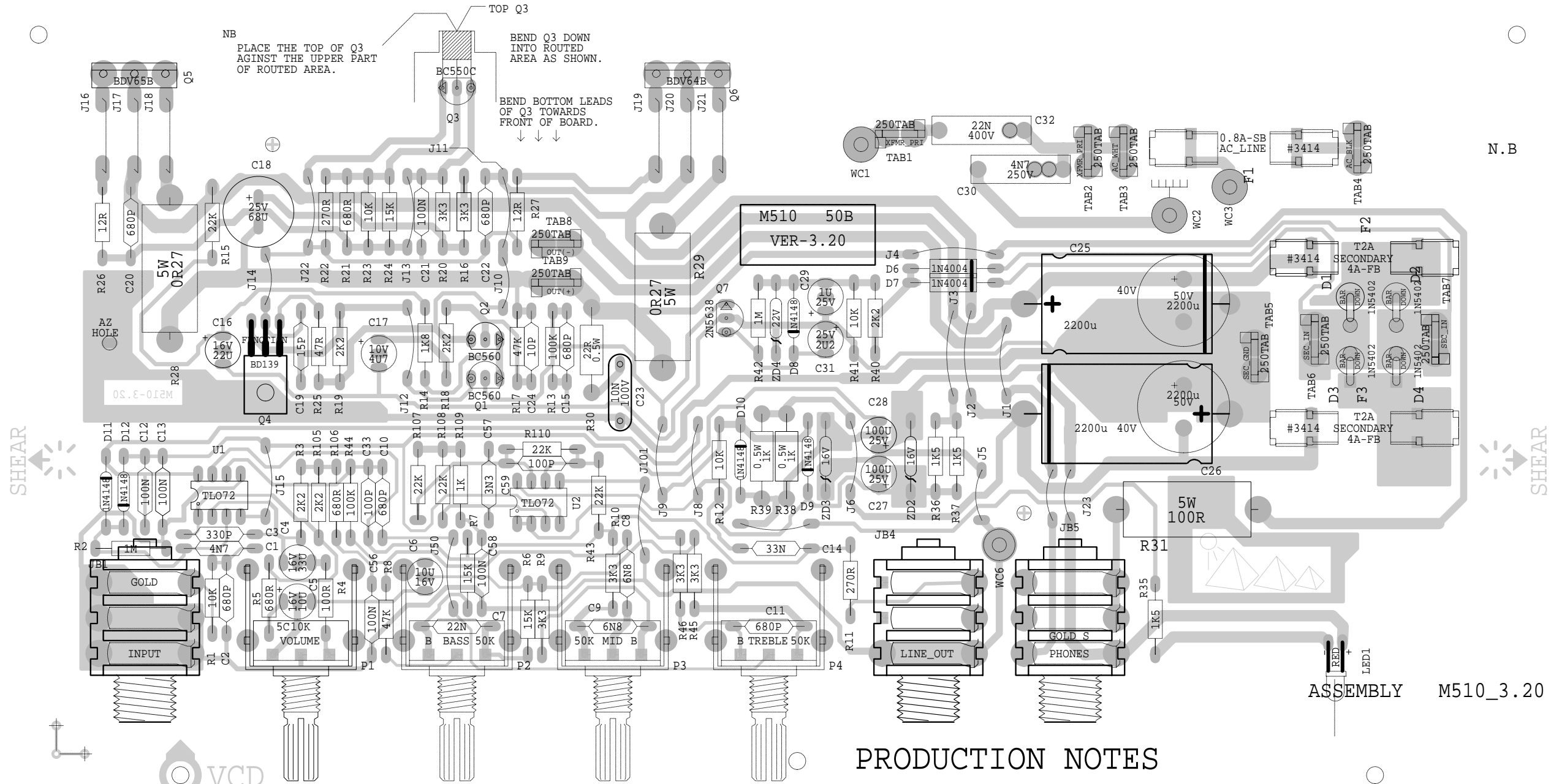
YORKVILLE

NAME: BM50E.SCH

PCB#&VER: M510

TITLE: BASS\_AMP\_BM50E

BLANK SIZE= 12.250" X 10.925"



ASSEMBLY M510\_3.20

### PRODUCTION NOTES

M510.PCB_DATABASE_HISTORY			
MODEL(S):- 50B			
#	DATE	VER#	DESCRIPTION OF CHANGE
1	SEP/12/94	3.10	PC#4625 HOLES ADDED FOR RADIAL PWR SUPPLY CAP
2	MAY/01/95	3.20	PC#4781_D6/D7_BAV21-->1N4004
3	MAY/09/95	3.30	PC#4801_ADD 10P ACROSS R17
4			NOW_ADDED_IN_AUTO-INSERTION
5	D	V	N
6	D	V	N
7	D	V	N
8	D	V	N
9	D	V	N
10	D	V	N
11	D	V	N
12	D	V	N
13	D	V	N
14	D	V	N
15	D	V	N
16	D	V	N
17	D	V	N
18	D	V	N
19	D	V	N
20	D	V	N

- CUT ALL NECESSARY LEADS THAT ARE PROTRUDING FROM THE BOTTOM OF BOARD SUCH AS WC'S, FUSE HOLDER LEGS, DIODE LEADS, ETC, SO THAT THE DISTANCE BETWEEN BOARD AND CHASSIS COULD BE KEPT TO A MAXIMUM.
- WC1 AND WC3 BLACK 18AWG WIRES FOR N.A. BLACK DOUBLE/INSUL. FOR S WC2=3"GRN AND WC6=5"GRN GREEN WIRES FOR N.A. WC6 GRN/YELL WIRE FOR S VERSION ADD TUBING TO S VERSION WIRE WC2/WC3 NO WIRE FOR S VERSION
- DO NOT STUFF C30 OR F1 FUSEHOLDER FOR S VERSION
-