



SSL 4000 Collection

SSL 4000 E-Channel

SSL 4000 G-Channel



Table of Contents

1. INTRODUCTION	3
2. PRODUCT OVERVIEW	4
<i>SSL E-Channel</i>	4
<i>SSL G-Channel</i>	4
<i>Dynamics Section</i>	4
<i>Equalizer Section</i>	5
<i>SSL Channel Routing Diagram</i>	6
3. CONTROLS AND INTERFACE	8
DYNAMICS SECTION CONTROLS	9
<i>Compressor</i>	9
<i>Expander/Gate</i>	9
<i>Dyn To</i>	9
E-CHANNEL EQ SECTION CONTROLS	10
<i>Low and High Pass Filters</i>	10
<i>High Frequency EQ Section</i>	10
<i>High Medium Frequency EQ Section</i>	10
<i>Low Medium Frequency EQ Section</i>	10
<i>Low Frequency EQ Section</i>	10
G-CHANNEL EQ SECTION CONTROLS	11
<i>Low and High Pass Filters</i>	11
<i>High Frequency EQ Section</i>	11
<i>High Medium Frequency EQ Section</i>	11
<i>Low Medium Frequency EQ Section</i>	11
<i>Low Frequency EQ Section</i>	11
<i>EQ To</i>	12
MASTER SECTION	12
4. THE WAVES SYSTEM BAR	13

1. Introduction

The unique sound of Solid State Logic 4000 Series analogue mixing consoles is sought after worldwide. Engineers of pop and rock music, broadcast transmissions and television post-production value the SSL 4000's flexible dynamics chain as much as the trademark SSL "punchy" sound. Waves and SSL engineers have worked together for over a year to recreate the sound characteristics of the classic SSL 4000 Series E and Series G consoles. Now, those who "mix in the box" can achieve the sound they thought they'd lost when they moved to the digital world.

The SL4000 console was the first mixing desk to incorporate dynamics processing into every channel, as well as a master bus compressor in the console's center section. The ability to 'patch' into the SL4000's master bus compressor and to control its sidechain from an internal sub-mix allowed sound engineers to discover unique, history-making applications of this console technology. Whether used to record instruments such as piano and drums or for final mixing, these innovative console sections - master bus compressor, EQ and dynamics - opened up a new world of opportunities. For years, workstation users have sought this unusual flexibility and signature sound. But conventional dynamics and EQ plug-ins couldn't produce the unique SSL color.

The Waves SSL 4000 Collection is the result of a partnership between Waves Audio and Solid State Logic. These processors faithfully recreate the same EQ and dynamics characteristics which made legendary the SL4000 consoles. Plus, the interface accurately reflects the classic SSL console. Couple all of this with state-of-the art Waves software and you suddenly find yourself working with the same tools that have provided countless hit mixes for the world's best audio engineers.

The Waves SSL 4000 Collection consists of four main components:

- E-Channel
- G-Channel
- G-Master Bus Compressor
- G-Equalizer

2. Product Overview

SSL E-Channel

The Waves SSL E-Channel is modeled after the SL4000 E Series console, combining the dynamics section of the SL4000 channel strip with the “Black Knob” 242 EQ. The only noticeable change from the hardware original is that the EQ and Dynamics sections are side-by-side rather than inline, to better conform to computer screens.

SSL G-Channel

The Waves SSL G-Channel is modeled after the SL4000 G Series console, combining the dynamics section of the SL4000 channel strip with the 383 G EQ. The only noticeable change from the hardware original is that the EQ and Dynamics sections are side-by-side rather than inline, to better conform to computer screens.

The E-Channel and G-Channel have latency of one sample.

Dynamics Section

The dynamics section consists of a soft-knee compressor/limiter and an expander/gate. Dynamics can be switched to pre-equalizer (default) or post-equalizer (CH OUT.)

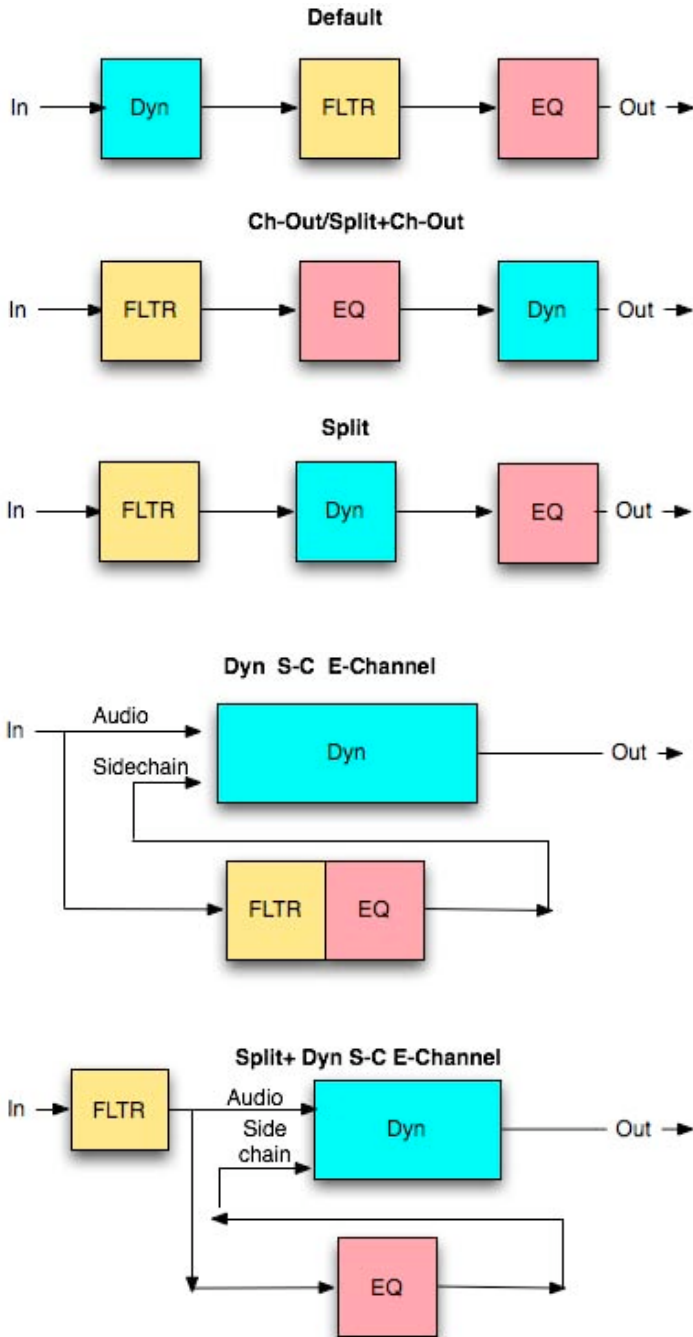
Although the same gain change circuitry is used for both the compressor/limiter and the expander/gate, two dedicated level indicators illustrate activity for each device. Automatic gain make-up, calculated from the Ratio and Threshold settings, is applied by the compressor to maintain a steady output level. The default compressor attack time is program sensitive, responding to the audio material's wavefront.

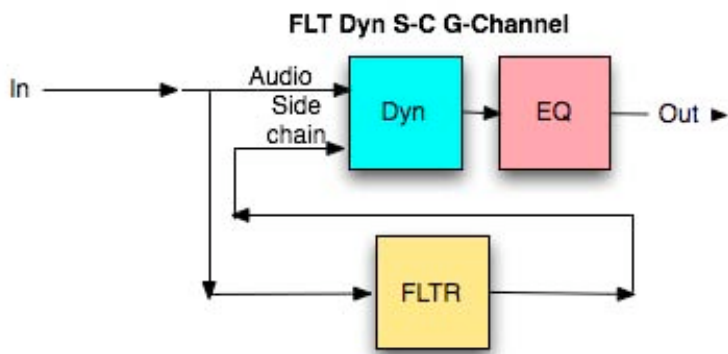
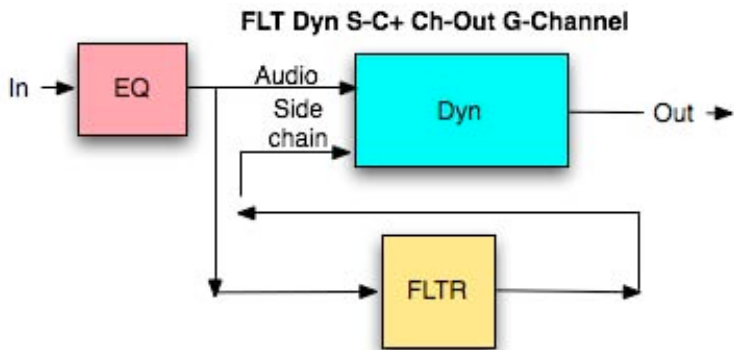
The dynamics section's threshold circuitry uses variable hysteresis, which allows the signal to decay below its opening level. (Hysteresis is the lag between making a change in input, such as increasing or decreasing power, and the response or effect of that change. Thus, the threshold's variable hysteresis circuitry allows for program-dependent dynamic processing.)

Equalizer Section

The equalizer is a four-band device which can be routed to the processor's output or to the dynamics section's sidechain. Q can be adjusted in the LMF and HMF ranges. At the top of the section is the High Pass (18 dB/octave) filter and the Low Pass (12 dB/octave) filter. Normally, low pass and high pass filters follow the same path as the entire EQ section. However, when Split is selected, the low pass and high pass filters are placed before the dynamics processors in the chain. The equalizer can be switched into the dynamics sidechain to afford simple de-essing and other frequency-controlled dynamics processing by selecting Dyn S-C at the foot of the section. In the E-Channel LF and HF shelves can be reshaped to bell curves by pressing Bell. The Q of the LF and HF bells are calculated based on frequency settings and are not user-definable. In the G-Channel LF and HF are fixed shelves, LMF/3 divides the LMF frequency by 3, while HMFx3 multiplies the HMF frequency by three.

SSL Channel Routing Diagram





3. Controls and Interface



Dynamics Section Controls

Compressor (white knobs)

- The compressor's Ratio/Slope can be set from 1 to infinity (limiter).
- The Threshold is variably adjustable from +10 dB to -20 dB.
- When the Attack time switch is set to Slow (F.ATK off) attack time is auto-sensing and program dependent. Fast setting (F.ATK) attack time is 1 ms.
- Release time is adjustable from 0.1 to 4 seconds.

Expander/Gate (green knobs)

- The expander's Threshold is variable from -30 dB to +10 dB.
- Range is variable from 0 – 40 dB.
- When the Attack time switch is set to Slow (F.ATK off) attack time is auto-sensing and program dependent. Fast setting (F.ATK) attack time is 1 ms.
- Release time is adjustable from 0.1 sec to 4 seconds.
- The Gate switch toggles the section from an expander (default mode) into a gate.

Dyn To

- Bypass bypasses the entire dynamics section. Note that selecting Bypass does not result in a flat signal, but rather one which mimics the flat response of the SSL channel strip hardware.
- Ch Out moves the dynamics to the output of the E-Channel, making it post-EQ.

E-Channel EQ Section Controls

Low and High Pass Filters (white knobs)

- Low Pass: 12 dB/octave, 3 KHz – 22 KHz (-3 dB point).
- High Pass: 18 dB/octave, 16 Hz – 350 Hz (-3 dB point).
- Turning the knob completely to the left bypasses the filter.
- When Split is selected, the low pass and high pass filters are placed before the dynamics processors in the chain.

High Frequency EQ Section (red knobs)

- Range 1.5 kHz – 16 kHz.
- Gain range is ± 18 dB for bell shape, ± 16.5 dB for shelving.
- Selecting Bell changes the HF EQ from shelf to bell shape.

High Medium Frequency EQ Section (green knobs)

- Range 600 Hz – 7 kHz
- Q is continuously adjustable from 0.1 to 3.5.
- Gain varies from ± 18 dB when Q is set at 3.5, to ± 15 dB when Q is set at 0.1.

Low Medium Frequency EQ Section (blue knobs)

- Range 200 Hz – 2.5 kHz
- Q is continuously adjustable from 0.1 to 3.5
- Gain varies from ± 18 dB when Q is set at 3.5 to ± 15 dB when Q is set at 0.1.

Low Frequency EQ Section (black knobs)

- Range 30 Hz – 450 Hz
- Gain range ± 16.5 dB shelving, ± 18 dB, bell shape

G-Channel EQ Section Controls

Low and High Pass Filters (white knobs)

- Low Pass: 12 dB/octave, 3 KHz – 22 KHz (-3 dB point).
- High Pass: 18 dB/octave, 16 Hz – 350 Hz (-3 dB point).
- Turning the knob completely to the left bypasses the filter.
- When Split is selected, the low pass and high pass filters are placed before the dynamics processors in the chain.

High Frequency EQ Section (Magenta knobs)

- Range 1.5 kHz – 16 kHz.
- Gain range is ± 17 dB shelving.

High Medium Frequency EQ Section (green knobs)

- Range 600 Hz – 7 kHz.
- Q is continuously adjustable from 0.1 to 3.5.
- Gain varies from ± 20 dB when Q is set at 3.5 to ± 15 dB when Q is set at 0.1.
- HMFx3 multiplies the frequency by 3.

Low Medium Frequency EQ Section (blue knobs)

- Range 200 Hz – 2.5 kHz.
- Q is continuously adjustable from 0.1 to 3.5.
- Gain varies from ± 20 dB when Q is set at 3.5 to ± 15 dB when Q is set at 0.1.
- LMF/3 divides the frequency by 3.

Low Frequency EQ Section (black knobs)

- Range 30 Hz – 450 Hz.
- Gain range ± 17 dB, shelving.

EQ To

- Bypass bypasses the EQ section. Note that selecting Bypass does not result in a flat signal , but rather one which mimics the flat response of the SSL channel strip hardware.
- Dyn S-C- E-Channel switches the filters and eq into the dynamics sidechain, enabling simple de-essing, etc.
- FLT Dyn S-C- G-Channel- switches the filters into the dynamics sidechain.

Master Section

- Level Indicator expresses levels in dBFS, although all parameters are expressed as dBu.
- Input and Output switches above the meter allow you to toggle the level indicator between input and output.
- Input Trim enables you to trim the input to the channel by ± 18 db. The plug-in is aligned so that -18 dBFS = 0dbu.
- Output fader controls the output level of the processor.
- Analogue On/Off
- Switching off Analogue disables analogue emulation.
- Phase Reverse (\emptyset) reverses the phase of the input signal.

4. The Waves System Bar

All Waves plug-ins share a common feature, the Waves System Bar, which takes care of most administrative functions you will encounter while working with Waves plug-ins. Since the Waves System Bar is the same on practically all Waves plug-ins, you will always know how to file, compare, load and copy the parameters of a Waves plug-in, even if you have never before worked with that particular processor. The following commands are common to all Waves plug-ins:

Undo undoes the last performed action.

Redo redoes the last undone action. There are 6 levels of undo and redo.

Setup A/B toggles between two sets of parameters within the same processor – useful when comparing different parameter settings in order to achieve optimal results.

Copy A->B copies the current settings to the second setup register.

Save used for saving presets in the Waves file format (.xps)

There are two options for saving:

Save to new file: creates a new .xps file wherein multiple presets can be saved.

Save into preset menu: saves the preset into the default list of the plug-in.

Load allows recalling presets from files.

Once a file is selected, its first preset will load and become active. Other presets in the file will be listed under the preset's name in the Load menu.

You can also load factory presets and user presets (saved using Save into preset menu.)

Pressing the ? button will open the manual for the plug-in you are using.