

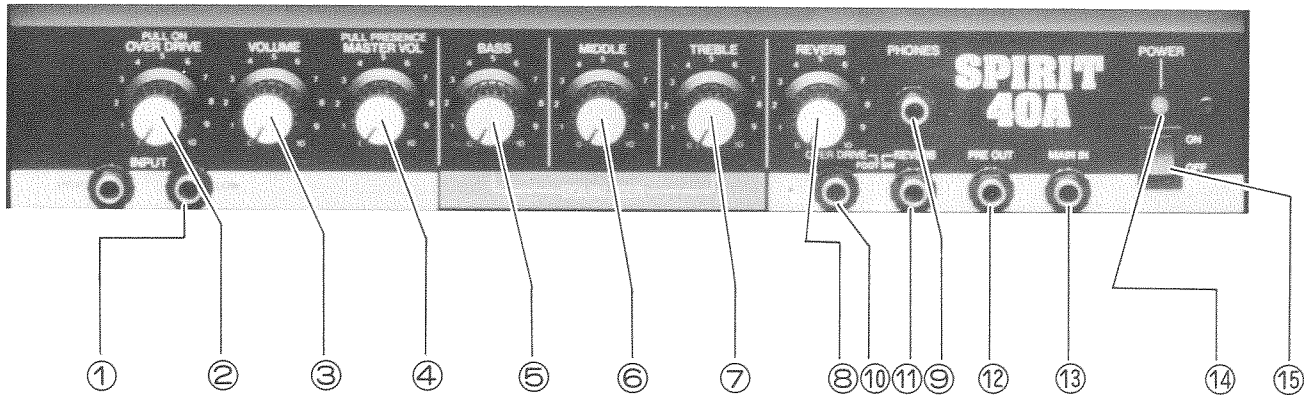
SPIRIT-10A, 25A, 40A

Roland

GUITAR AMPLIFIER

- This operation manual covers the instructions for the SPIRIT-10A, 25A and 40A. (The pictures are all 40A's.)

Control Panel



① Input Jacks

SPIRIT-10A,25A: If you wish to obtain a particularly hard sound or long sustain, connect to the Over Drive.

SPIRIT-40A: If your guitar features high output, connect it to Low.

② Overdrive (Pull On) Knob (SPIRIT-40A)

This knob adjusts the amount of distortion (Overdrive tone). If you pull the knob, distortion effect will be on.

③ Volume Knob

This is to set the volume of the preamplifier.

④ Master Volume (Pull Presence) Knob

SPIRIT-10A,25A,40A: This knob controls the overall volume.

SPIRIT-40A: Pulling this knob, you can obtain Presence effect.

⑤ Bass Control

⑥ Middle Control

⑦ Treble Control

⑧ Reverb Control (SPIRIT-25A,40A)

⑨ Headphones Jack (for Stereo Headphones)

⑩ Overdrive Foot Switch Jack (SPIRIT-40A)

Connecting a footswitch to this jack, you can turn the Distortion effect on or off without using your hands.

⑪ Reverb Foot Switch Jack (SPIRIT-40A)

Connecting a footswitch to this jack, you can turn the Reverb effect on or off without using your hands.

⑫ Pre Out Jack (SPIRIT-40A)

⑬ Line Out Jack (SPIRIT-10A,25A)

Provided with this jack, any of the SPIRIT-A series can be set up with an amplifier, PA mixer or tape deck.

⑬ Main In Jack (SPIRIT-40A)

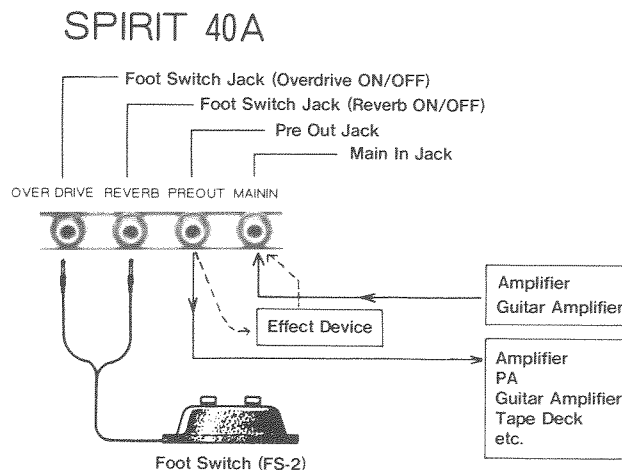
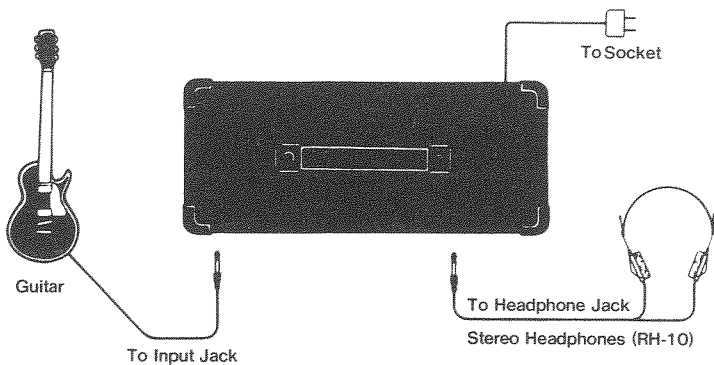
An effect device can be connected between the Pre Out Jack and the Main In Jack.

⑭ Pilot Lamp

This will light up when the unit is turned on.

⑮ Power Switch

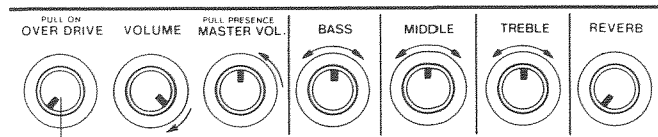
Basic Connection



● Example Settings

1. Normal

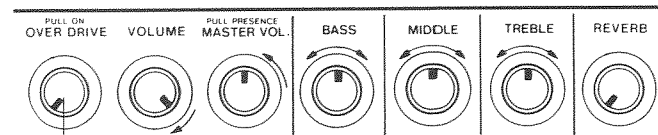
- When using the SPIRIT-10A or 25A, connect the guitar to NORMAL.
- When using the SPIRIT-40A, connect the guitar to HIGH.



「OFF」

2. OVER DRIVE I

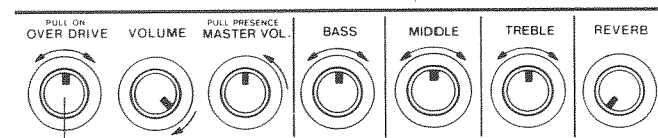
- This patching generates a short sustain Over Drive sound.
- When using the SPIRIT-10A or 25A, connect the guitar to NORMAL.
- When using the SPIRIT-40A, connect the guitar to HIGH.



「OFF」

3. OVER DRIVE II

- When using the SPIRIT-10A or 25A, connect the guitar to OVER DRIVE.
- When using the SPIRIT-40A, connect the guitar to HIGH.
- Adjust the sustain time with the Volume (Over Drive SPIRIT-40A) knob and the volume level with the Master Volume.



「ON」

● Specifications

	SPIRIT-10A	SPIRIT-25A	SPIRIT-40A
* Output	10W(R.M.S.)	25W(R.M.S.)	40W(R.M.S.)
* Speaker	20cm × 1	25cm × 1	30cm × 1
* Input Jacks	Over Drive × 1 (-50dBm/300kΩ) Normal × 1 (-26dBm/190kΩ)	Over Drive × 1 (-56dBm/380kΩ) Normal × 1 (-37dBm/380kΩ)	High × 1 (-35dBm/500kΩ) Low × 1 (-24dBm/100kΩ)
* Controls			
Over Drive (Pull On)			○
Volume	○	○	○
Master Volume	○	○	○ (Pull Presence)
Bass	○	○	○
Middle	○	○	○
Treble	○	○	○
Reverb		○	○
* Jacks			
Headphones	○	○	○
Over Drive ON/OFF			○
Reverb ON/OFF			○
Pre Out			○ (-4dBm/5.6kΩ)
Main In			○ (-3dBm/47kΩ)
Line Out	○	○	
* Power Consumption	23VA	76VA	106VA
* Dimensions	305(W) × 324(H) × 155(D)mm 12(W) × 12¾(H) × 6⅝(D)in.	379(W) × 398(H) × 205(D)mm 14⅞(W) × 15⅞(H) × 8⅞(D)in.	441(W) × 461(H) × 205(D)mm 17⅞(W) × 18⅞(H) × 8⅞(D)in.
* Weight	4.6 kg/10 lb. 2 oz.	8 kg/17 lb. 10 oz.	11 kg/24 lb. 4 oz.

* Specifications are subject to change without notice.

● Important Notes

- Operating this amplifier near a neon or fluorescent lamp may cause noise interference. If so, move it elsewhere or change the angle of the guitar.
- Turn the volume of this amplifier to zero before connecting or disconnecting the plug to protect the speaker from excessive strain.
- When setting up this amplifier with a guitar, connect the cord to the guitar first, then to the amplifier. When disconnecting, pull out the cord from the amplifier first and then from the guitar.
- Avoid giving a strong shock to this amplifier and do not move it while it is operating.
- Do not use this amplifier in the place of extreme humidity or dust.
- Clean this amplifier with a neutral detergent, and do not use thinner.
- Use the specific fuse for replacing.

● In Case of Trouble

When this amplifier does not operate properly, check as shown below. If 1 unit is still in trouble, then contact your local Roland dealer.

Trouble symptom	Cause	Action to be taken
The pilot lamp does not light up and no sound is heard, even if the Power Switch is turned on.	The power cord is not connected properly.	Connect the power cord properly.
The pilot lamp lights up, but no sound is heard.	The Volume or the Master Volume is set too low.	Turn the volume up.
Over Drive effect is not obtained. (SPIRIT-40A)	The Foot Switch is turned off.	Depress the Foot Switch to turn it on.
	The Over Drive is set to OFF.	Pull the knob to turn it on.
Reverb effect is not obtained. (SPIRIT-25A,40A)	The Foot Switch is turned off. (SPIRIT-40A)	Depress the Foot Switch to turn it on.
	The Reverb volume is too low.	Turn up the level.

● Options



Stereo Headphones
RH-10



Foot Switch
FS-1



Foot Switch
FS-2

Roland

SPIRIT-10A, 25A, 40A Owner's Manual '84 Sep. ECI