

PM-3

PERSONAL MONITOR SYSTEM



Owner's Manual

Thank you, and congratulations on your choice of the Roland Personal Monitor System PM-3.

Before using this unit, carefully read the sections entitled: "IMPORTANT SAFETY INSTRUCTIONS" (p. 2), "USING THE UNIT SAFELY" (p. 3), and "IMPORTANT NOTES" (p. 4). These sections provide important information concerning the proper operation of the unit. Additionally, in order to feel assured that you have gained a good grasp of every feature provided by your new unit, Owner's manual should be read in its entirety. The manual should be saved and kept on hand as a convenient reference.

Features

- The PM-3 personal monitor system is perfect for electronic percussion set-ups such as V-Drums, SPD-20, etc. And also fills the needs for small keyboard monitoring systems.
- When set up as Roland advises, the woofer unit and two speakers provide a three-dimensional depth and sound, creating an ambience similar to when playing acoustic drums.
- The woofer unit features an "Active Dual-Drive" system, consisting of two speakers producing a powerful "low end."
- MIX INPUT, LINE OUTPUT and MAIN INPUT jacks are provided to expand the possibilities (practice/monitoring/live performance etc.)

	CAUTION RISK OF ELECTRIC SHOCK DO NOT OPEN	
ATTENTION: RISQUE DE CHOC ELECTRIQUE NE PAS OUVRIR		
CAUTION: TO REDUCE THE RISK OF ELECTRIC SHOCK, DO NOT REMOVE COVER (OR BACK). NO USER-SERVICEABLE PARTS INSIDE. REFER SERVICING TO QUALIFIED SERVICE PERSONNEL.		



The lightning flash with arrowhead symbol, within an equilateral triangle, is intended to alert the user to the presence of uninsulated "dangerous voltage" within the product's enclosure that may be of sufficient magnitude to constitute a risk of electric shock to persons.



The exclamation point within an equilateral triangle is intended to alert the user to the presence of important operating and maintenance (servicing) instructions in the literature accompanying the product.

INSTRUCTIONS PERTAINING TO A RISK OF FIRE, ELECTRIC SHOCK, OR INJURY TO PERSONS.

IMPORTANT SAFETY INSTRUCTIONS SAVE THESE INSTRUCTIONS

WARNING - When using electric products, basic precautions should always be followed, including the following:

1. Read all the instructions before using the product.
2. Do not use this product near water — for example, near a bathtub, washbowl, kitchen sink, in a wet basement, or near a swimming pool, or the like.
3. This product should be used only with a cart or stand that is recommended by the manufacturer.
4. This product, either alone or in combination with an amplifier and headphones or speakers, may be capable of producing sound levels that could cause permanent hearing loss. Do not operate for a long period of time at a high volume level or at a level that is uncomfortable. If you experience any hearing loss or ringing in the ears, you should consult an audiologist.
5. The product should be located so that its location or position does not interfere with its proper ventilation.
6. The product should be located away from heat sources such as radiators, heat registers, or other products that produce heat.
7. The product should be connected to a power supply only of the type described in the operating instructions or as marked on the product.
8. The power-supply cord of the product should be unplugged from the outlet when left unused for a long period of time.
9. Care should be taken so that objects do not fall and liquids are not spilled into the enclosure through openings.
10. The product should be serviced by qualified service personnel when:
 - A. The power-supply cord or the plug has been damaged; or
 - B. Objects have fallen, or liquid has been spilled into the product; or
 - C. The product has been exposed to rain; or
 - D. The product does not appear to operate normally or exhibits a marked change in performance; or
 - E. The product has been dropped, or the enclosure damaged.
11. Do not attempt to service the product beyond that described in the user-maintenance instructions. All other servicing should be referred to qualified service personnel.

For the USA

GROUNDING INSTRUCTIONS

This product must be grounded. If it should malfunction or breakdown, grounding provides a path of least resistance for electric current to reduce the risk of electric shock.

This product is equipped with a cord having an equipment-grounding conductor and a grounding plug. The plug must be plugged into an appropriate outlet that is properly installed and grounded in accordance with all local codes and ordinances.


DANGER: Improper connection of the equipment-grounding conductor can result in a risk of electric shock. Check with a qualified electrician or serviceman if you are in doubt as to whether the product is properly grounded. Do not modify the plug provided with the product — if it will not fit the outlet, have a proper outlet installed by a qualified electrician.

For the U.K.

WARNING: THIS APPARATUS MUST BE EARTHED

IMPORTANT: THE WIRES IN THIS MAINS LEAD ARE COLOURED IN ACCORDANCE WITH THE FOLLOWING CODE.
GREEN-AND-YELLOW: EARTH, BLUE: NEUTRAL, BROWN: LIVE

As the colours of the wires in the mains lead of this apparatus may not correspond with the coloured markings identifying the terminals in your plug, proceed as follows:

The wire which is coloured GREEN-AND-YELLOW must be connected to the terminal in the plug which is marked by the letter E or by the safety earth symbol  or coloured GREEN or GREEN-AND-YELLOW.

The wire which is coloured BLUE must be connected to the terminal which is marked with the letter N or coloured BLACK.

The wire which is coloured BROWN must be connected to the terminal which is marked with the letter L or coloured RED.

The product which is equipped with a THREE WIRE GROUNDING TYPE LINE PLUG must be grounded.

USING THE UNIT SAFELY

INSTRUCTIONS FOR THE PREVENTION OF FIRE, ELECTRIC SHOCK, OR INJURY TO PERSONS

About ⚠ WARNING and ⚠ CAUTION Notices

⚠ WARNING	Used for instructions intended to alert the user to the risk of death or severe injury should the unit be used improperly.
⚠ CAUTION	Used for instructions intended to alert the user to the risk of injury or material damage should the unit be used improperly. * Material damage refers to damage or other adverse effects caused with respect to the home and all its furnishings, as well to domestic animals or pets.

About the Symbols

	The ⚠ symbol alerts the user to important instructions or warnings. The specific meaning of the symbol is determined by the design contained within the triangle. In the case of the symbol at left, it is used for general cautions, warnings, or alerts to danger.
	The ⓧ symbol alerts the user to items that must never be carried out (are forbidden). The specific thing that must not be done is indicated by the design contained within the circle. In the case of the symbol at left, it means that the unit must never be disassembled.
	The ● symbol alerts the user to things that must be carried out. The specific thing that must be done is indicated by the design contained within the circle. In the case of the symbol at left, it means that the power-cord plug must be unplugged from the outlet.

ALWAYS OBSERVE THE FOLLOWING

⚠ WARNING

- Before using this unit, make sure to read the instructions below, and the Owner's Manual.
- Do not open or perform any internal modifications on the unit.
- Make sure you always have the unit placed so it is level and sure to remain stable. Never place it on stands that could wobble, or on inclined surfaces.
- Do not excessively twist or bend the power cord, nor place heavy objects on it. Doing so can damage the cord, producing severed elements and short circuits. Damaged cords are fire and shock hazards!
- In households with small children, an adult should provide supervision until the child is capable of following all the rules essential for the safe operation of the unit.
- Protect the unit from strong impact. (Do not drop it!)
- Do not force the unit's power-supply cord to share an outlet with an unreasonable number of other devices. Be especially careful when using extension cords—the total power used by all devices you have connected to the extension cord's outlet must never exceed the power rating (watts/amperes) for the extension cord. Excessive loads can cause the insulation on the cord to heat up and eventually melt through.
- Before using the unit in a foreign country, consult with your retailer, the nearest Roland Service Center, or an authorized Roland distributor, as listed on the "Information" page.

⚠ CAUTION

- Always grasp only the plug on the power-supply cord when plugging into, or unplugging from an outlet.
- Try to prevent cords and cables from becoming entangled. Also, all cords and cables should be placed so they are out of the reach of children.
- If the unit could become a hazard if it moves, all caster wheels should be removed once the unit has been placed at the place of installation, or has been loaded onto a vehicle.
- Never climb on top of, nor place heavy objects on the unit.
- Never handle the power cord or its plug with wet hands when plugging into, or unplugging from, an outlet.
- Before moving the unit, disconnect the power plug from the outlet, and pull out all cords from external devices.
- Before cleaning the unit, turn off the power and unplug the power cord from the outlet (p. 8).
- Whenever you suspect the possibility of lightning in your area, pull the plug on the power cord out of the outlet.
- Should you remove the thumbscrews, make sure to put them in a safe place out of children's reach, so there is no chance of them being swallowed accidentally.

IMPORTANT NOTES

In addition to the items listed under “IMPORTANT SAFETY INSTRUCTIONS” and “USING THE UNIT SAFELY” on pages 2 and 3, please read and observe the following:

Power Supply

- Do not use this unit on the same power circuit with any device that will generate line noise (such as an electric motor or variable lighting system).
- Before connecting this unit to other devices, turn off the power to all units. This will help prevent malfunctions and/or damage to speakers or other devices.

Placement

- Using the unit near power amplifiers (or other equipment containing large power transformers) may induce hum. To alleviate the problem, change the orientation of this unit; or move it farther away from the source of interference.
- This device may interfere with radio and television reception. Do not use this device in the vicinity of such receivers.
- Do not expose the unit to direct sunlight, place it near devices that radiate heat, leave it inside an enclosed vehicle, or otherwise subject it to temperature extremes. Excessive heat can deform or discolor the unit.
- To avoid possible breakdown, do not use the unit in a wet area, such as an area exposed to rain or other moisture.
- Do not allow rubber, vinyl, or similar materials to remain on the unit for long periods of time. Such objects can discolor or otherwise harmfully affect the finish.
- Do not put anything that contains water (e.g., flower vases) on the unit. Also, avoid the use of insecticides, perfumes, alcohol, nail polish, spray cans, etc., near the unit. Swiftly wipe away any liquid that spills on the unit using a dry, soft cloth.

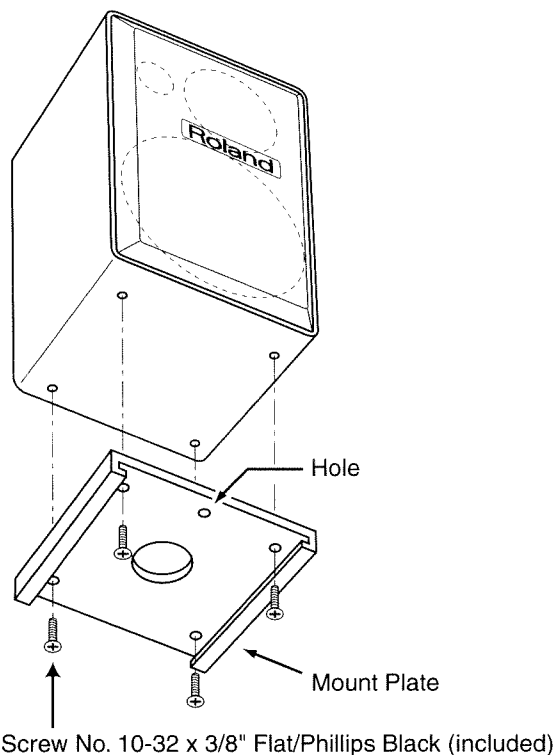
Maintenance

- For everyday cleaning wipe the unit with a soft, dry cloth or one that has been slightly dampened with water. To remove stubborn dirt, use a cloth impregnated with a mild, non-abrasive detergent. Afterwards, be sure to wipe the unit thoroughly with a soft, dry cloth.
- Caring for the covering
Clean with a stiff-bristled brush.
- Never use benzine, thinners, alcohol or solvents of any kind, to avoid the possibility of discoloration and/or deformation.

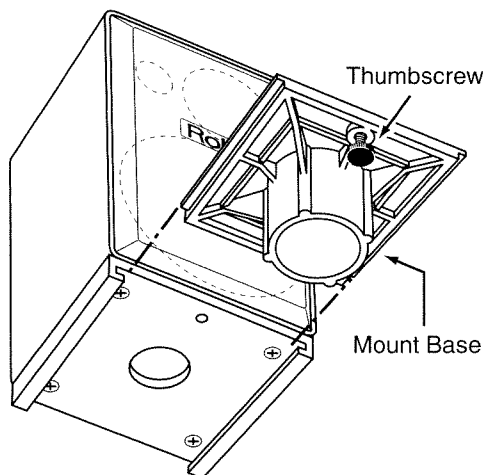
Additional Precautions

- Use a reasonable amount of care when using the unit’s buttons, sliders, or other controls; and when using its jacks and connectors. Rough handling can lead to malfunctions.
- When connecting / disconnecting all cables, grasp the connector itself—never pull on the cable. This way you will avoid causing shorts, or damage to the cable’s internal elements.
- A small amount of heat will radiate from the unit during normal operation.
- To avoid disturbing your neighbors, try to keep the unit’s volume at reasonable levels. You may prefer to use headphones, so you do not need to be concerned about those around you (especially when it is late at night).
- When you need to transport the unit, package it in the box (including padding) that it came in, if possible. Otherwise, you will need to use equivalent packaging materials.
- Use a cable from Roland to make the connection. If using some other make of connection cable, please note the following precautions.
 - Some connection cables contain resistors. Do not use cables that incorporate resistors for connecting to this unit. The use of such cables can cause the sound level to be extremely low, or impossible to hear. For information on cable specifications, contact the manufacturer of the cable.

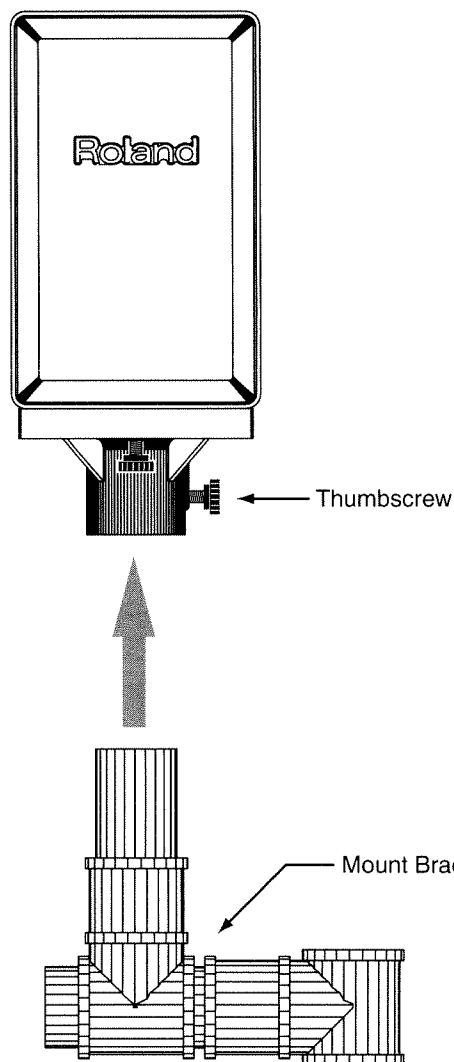
Attaching the Mount Bracket



1. Using the provided screws, attach the mount plate to the bottom of the speaker so it is oriented as shown in the diagram.



2. Insert the mount base into the slots of the mount plate as shown in the diagram.
3. Attach the mount base to the mount plate by turning the thumbscrew.

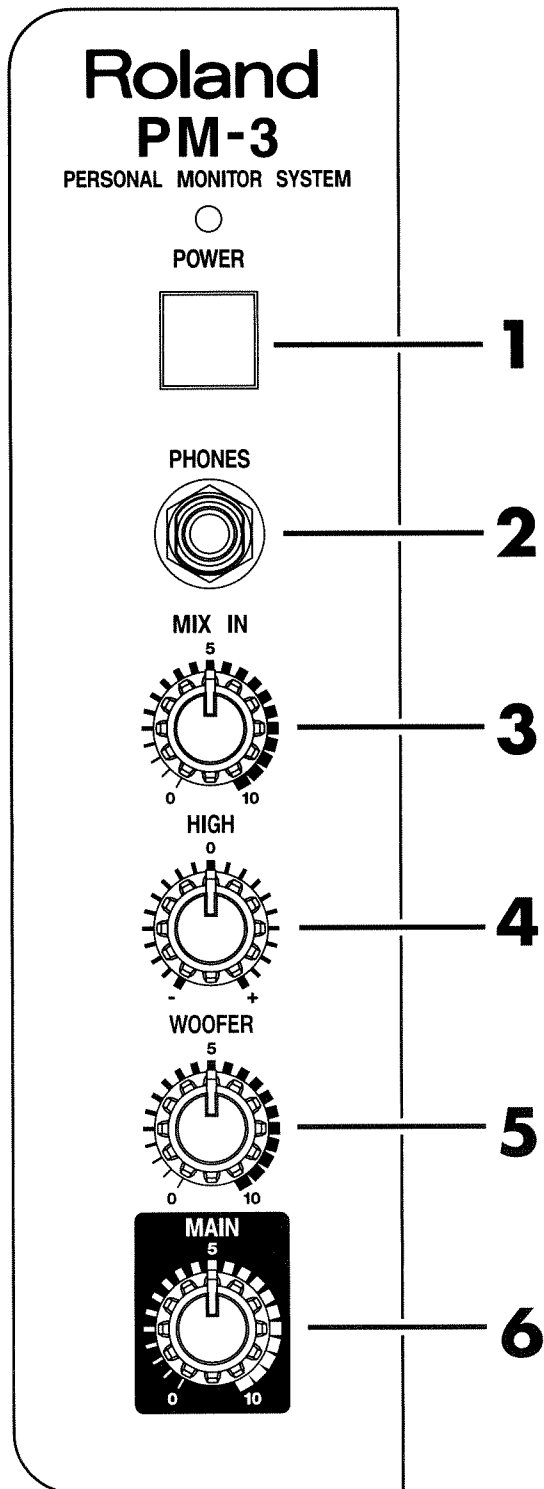


4. Insert the mount bracket into the mount base as shown in the diagram.
5. Attach the mount bracket by turning the thumbscrew.

For details on attaching the speakers to the drum stand, refer to "Sample Setting" (p. 9).

Panel Descriptions

Control Panel



1. POWER Switch

This switch turns the power on/off. When the power is on, the indicator will be lit.

2. PHONES Jack

Connect headphones (optional) to this jack. When you connect headphones to this jack, no sound will be heard from the speakers.

3. MIX IN Volume Knob

This adjusts the volume of the device connected to the MIX INPUT Jacks **8**.

4. HIGH Knob

This adjusts the tone of the treble. Turning this knob clockwise will increase the treble sound, while turning it counterclockwise will decrease it.

5. WOOFER Volume Knob

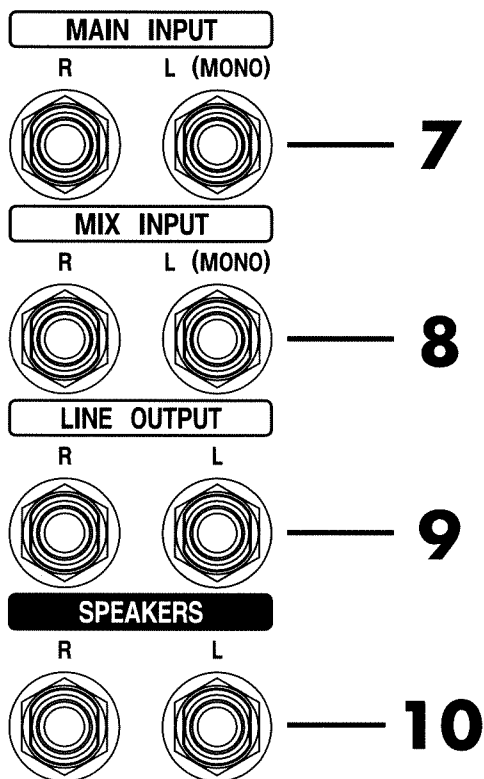
This adjusts the volume of the sound from the woofer unit. When this knob is turned fully counterclockwise, no sound will be heard from the woofer unit.

6. MAIN Volume Knob

This adjusts the volume of the device connected to the MAIN INPUT Jacks **7**.

** The input sensitivity of the PM-3 has been set somewhat high, to allow use with percussion sound modules having relatively low output levels. But if you connect a sound module with a high output level (such as the TD-10), distortion may occur if you turn the volume level up too much. Be careful.*

Jacks (Side Panel)



7. MAIN INPUT Jacks

Connect the percussion sound module to these jacks. If the device has only monaural output, use the L (MONO) Jack.

8. MIX INPUT Jacks

Connect a CD/MD player to these jacks. If the device has only monaural output, use the L (MONO) Jack. The sound that is input to these jacks will not be output from the LINE OUTPUT Jacks **9**.

9. LINE OUTPUT Jacks

These jacks output the sound directly that is input to the MAIN INPUT Jacks **7**.

10. SPEAKERS Jacks

Connect the speakers (included) by using the provided speaker cables.

* Do not connect any devices except the included speakers.

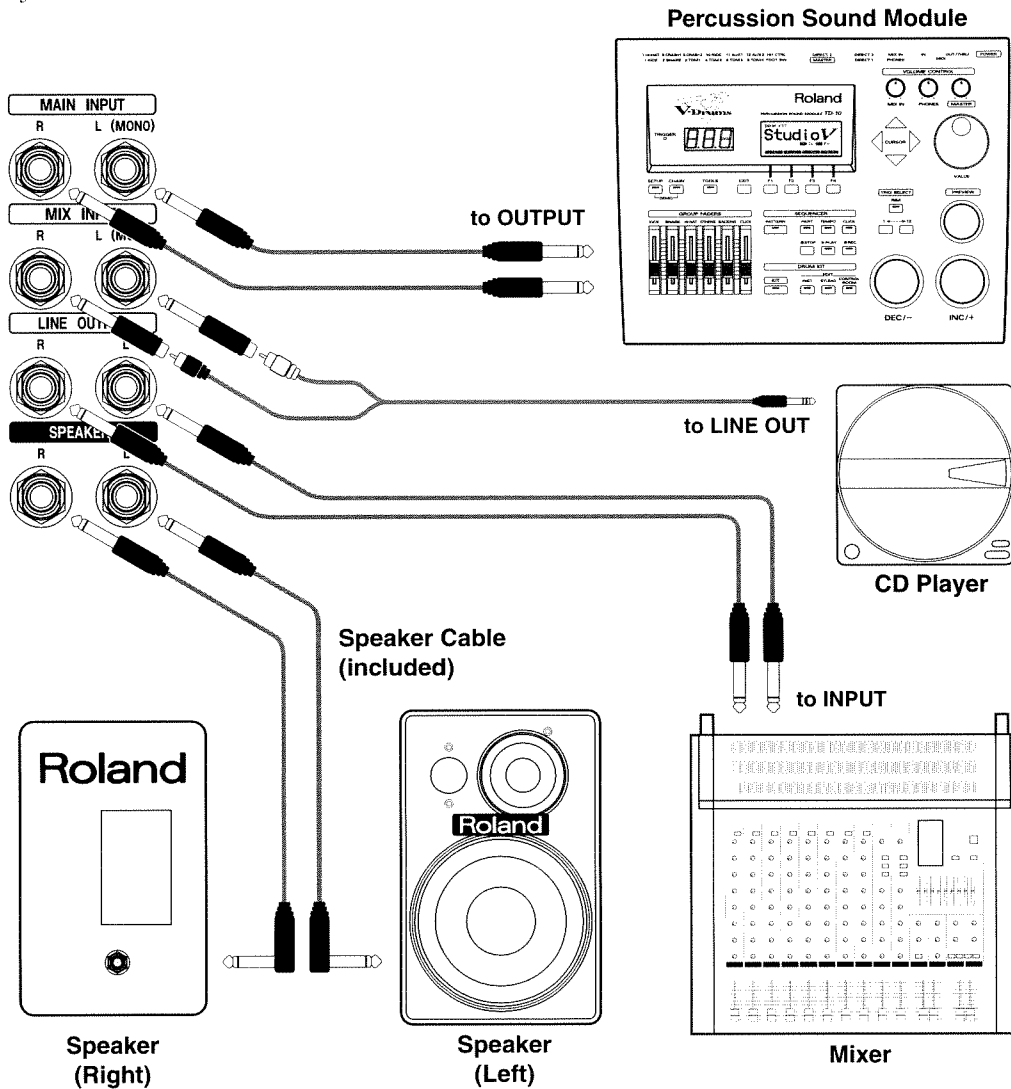
ACTIVE DUAL DRIVE

With the Active Dual-Drive system driving one woofer that is facing outwards, along with the aligned bass-reflex woofer inside the cabinet, this system, despite its compact size, delivers rock-bottom bass sounds with impressive attack, outperforming even bigger, cabinet-sized speakers.



Connections/Turning On the Power

* To prevent malfunction and/or damage to speakers or other devices, always turn down the volume, and turn off the power on all devices before making any connections.



Turning On/Off the Power

* Once the connections have been completed, turn on power to your various devices in the order specified. By turning on devices in the wrong order, you risk causing malfunction and/or damage to speakers and other devices.

1. Make sure that all volume controls on the PM-3 and connected devices are set to "0."
2. Turn on the devices connected to the MAIN INPUT Jacks and MIX INPUT Jacks.
3. Turn on the PM-3's [POWER] switch.

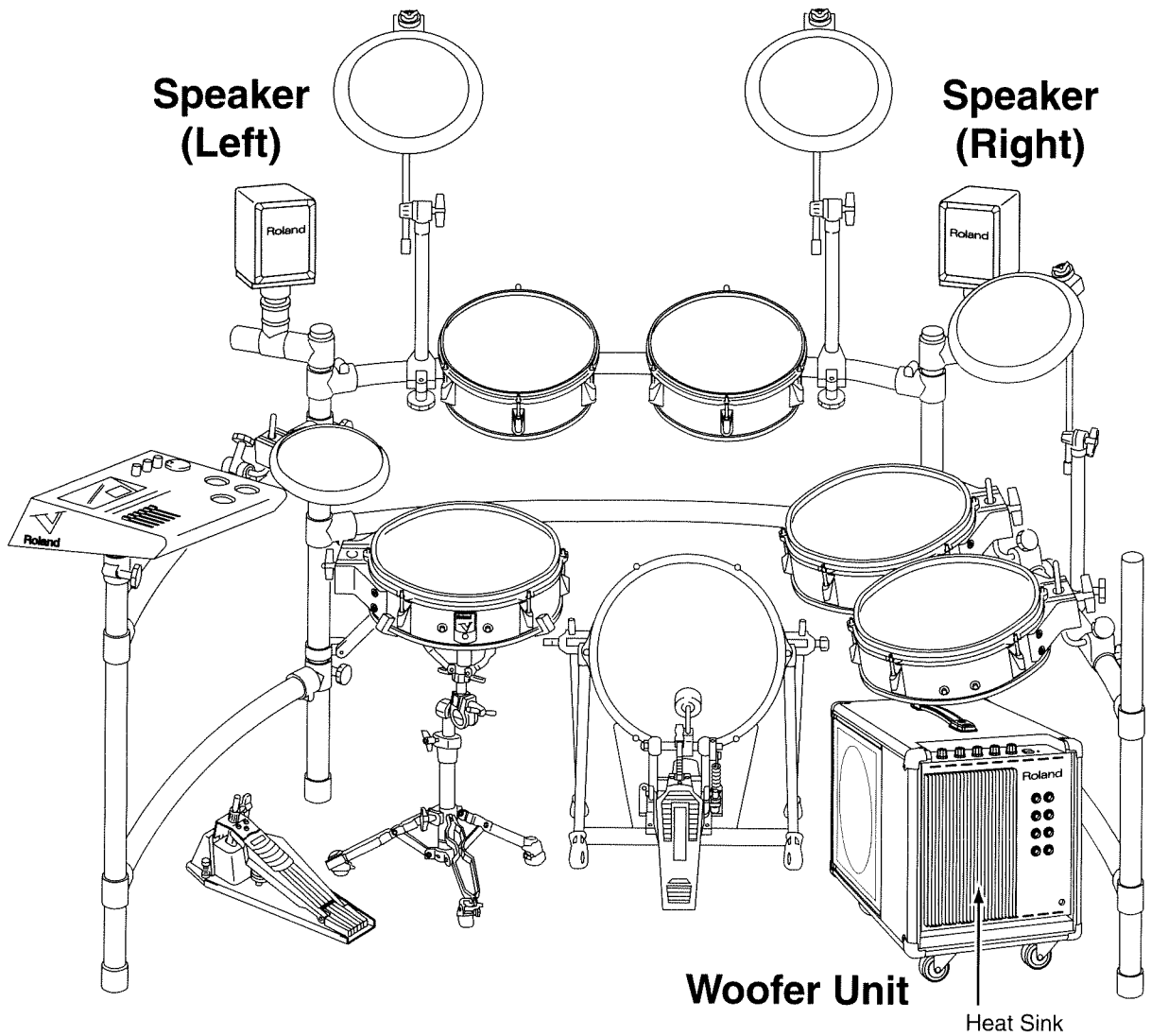
* Always make sure to have the volume level turned down before switching on power. Even with the volume all the way down, you may still hear some sound when the power is switched on, but this is normal, and does not indicate a malfunction.

4. Turn on the device connected to the LINE OUTPUT Jacks.
5. Adjust the volume levels for the devices.

* Using a connection cable that contains a resistor can cause the sound level to be low. Use a connection cable that does not contain a resistor.

Before switching off the power, lower the volume on each of the devices in your system and then TURN OFF the devices in the reverse order to which they were switched on.

Sample Setting



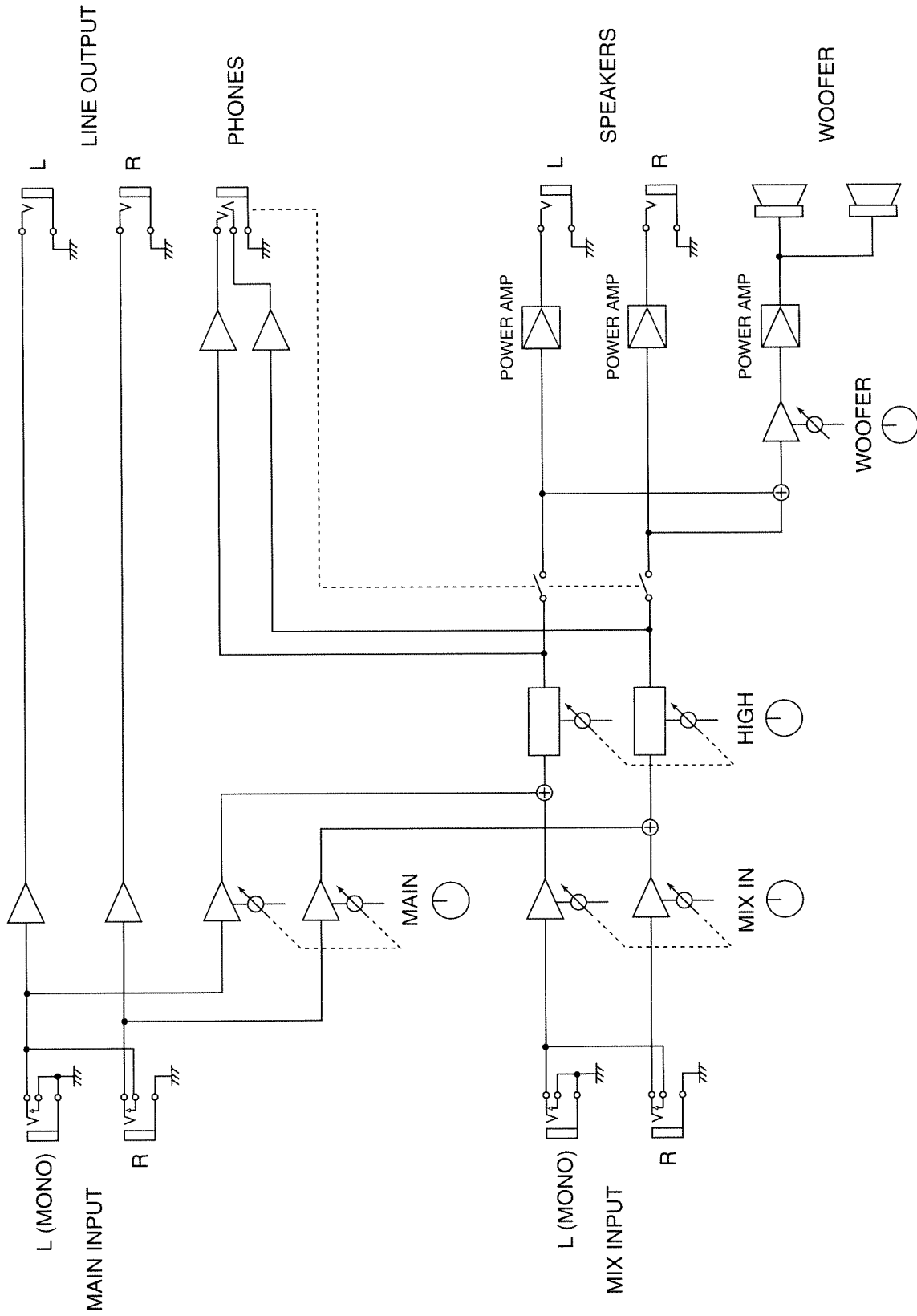
Attach the speakers to the drum stand using the mount brackets (included).

* Do not use any speakers except the included speakers.

* Be sure to place the woofer unit so that the heat sink on the side panel is not obstructed. Also, make sure the woofer unit does not touch any curtains or other fabrics.

* The heat sink performs cooling when the woofer unit is placed as shown above. Do not place the woofer unit on its side or upside down.

Block Diagram



Specifications

System Configuration

Speaker (x 2) + Woofer Unit

Rated Power Output

Speaker	50 W/8 ohms x 2
Woofer Unit	100 W/4 ohms
Total	200 W

Nominal Input Level

Main Input	-10 dBu
Mix Input	-10 dBu

Nominal Output Level

Line Output	-10 dBu
-------------	---------

Speakers

4" Woofer + 2" Midrange + 1" Tweeter

Woofer Unit

10" Woofer x 2

Controls

Main Volume Knob
Woofer Volume Knob
High Knob
Mix In Volume Knob
Power Switch

Connectors

Main Input Jacks (L/MONO, R)
Mix Input Jacks (L/MONO, R)
Line Output Jacks (L, R)
Speaker Jacks (L, R)
Phones Jack (Stereo)

Enclosure

Speaker	Sealed
Woofer Unit	Active Dual-Drive

Power Supply

AC 117 V, AC 230 V, AC 240 V

Power Consumption

160 W

Dimensions

Speaker
118 (W) x 115 (D) x 186 (H) mm
4-11/16 (W) x 4-9/16 (D) x 7-3/8 (H) inches

Woofer Unit
555 (W) x 335 (D) x 450 (H) mm
21-7/8 (W) x 13-3/16 (D) x 17-3/4 (H) inches

Weight

Speaker	1.6 kg / 3 lbs 9 oz (for each)
Woofer Unit	30 kg / 66 lbs 3 oz

Accessories

Owner's Manual
Mount Bracket x 2
Screw (No. 10-32 x 3/8" Flat/Phillips Black) x 8
Speaker Cable x 2

* $0 \text{ dBu} = 0.775 \text{ V}$

* *In the interest of product improvement, the specifications and/or appearance of this unit are subject to change without prior notice.*



This product complies with the requirements of European Directives EMC 89/336/EEC and LVD 73/23/EEC.

For EU Countries

 Roland®

MANUA00044

UPC

MANUA00044



18981