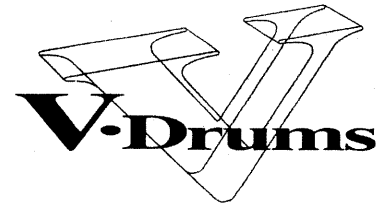


Roland®

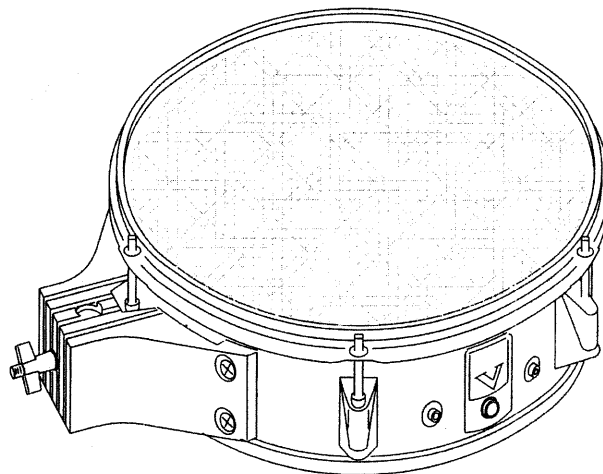


# PD-100/PD-120

## OWNER'S MANUAL

We'd like to take a moment to thank you for purchasing the Roland PD-100, PD-120.

Before using this unit, carefully read the sections entitled: "USING THE UNIT SAFELY" (p. 2-3) and "IMPORTANT NOTES" (p. 3). These sections provide important information concerning the proper operation of the unit. Additionally, in order to feel assured that you have gained a good grasp of every feature provided by your new unit, this manual should be read in its entirety. The manual should be saved and kept on hand as a convenient reference.



Copyright © 1997 ROLAND CORPORATION

All rights reserved. No part of this publication may be reproduced in any form without the written permission of ROLAND CORPORATION.

# USING THE UNIT SAFELY

## INSTRUCTIONS FOR THE PREVENTION OF FIRE, ELECTRIC SHOCK, OR INJURY TO PERSONS

### About ⚠ WARNING and ⚠ CAUTION Notices


<b>⚠ WARNING</b>	Used for instructions intended to alert the user to the risk of death or severe injury should the unit be used improperly.
<b>⚠ CAUTION</b>	Used for instructions intended to alert the user to the risk of injury or material damage should the unit be used improperly. * Material damage refers to damage or other adverse effects caused with respect to the home and all its furnishings, as well to domestic animals or pets.

### About the Symbols


<b>⚠</b>	The ⚠ symbol alerts the user to important instructions or warnings. The specific meaning of the symbol is determined by the design contained within the triangle. In the case of the symbol at left, it is used for general cautions, warnings, or alerts to danger.
<b>⊘</b>	The ⊘ symbol alerts the user to items that must never be carried out (are forbidden). The specific thing that must not be done is indicated by the design contained within the circle. In the case of the symbol at left, it means that the unit must never be disassembled.
<b>⦿</b>	The ⦿ symbol alerts the user to things that must be carried out. The specific thing that must be done is indicated by the design contained within the circle. In the case of the symbol at left, it means that the power-cord plug must be unplugged from the outlet.

### ALWAYS OBSERVE THE FOLLOWING


#### ⚠ WARNING

- Before using this unit, make sure to read the instructions below, and the Owner's Manual. 


---

- Do not open or perform any internal modifications on the unit. 


---

- Do not attempt to repair the unit, or replace parts within it (except when this manual provides specific instructions directing you to do so). Refer all servicing to your dealer, or qualified Roland service personnel. 


---

- Never use or store the unit in places that are: 
  - Subject to temperature extremes (e.g., direct sunlight in an enclosed vehicle, near a heating duct, on top of heat-generating equipment); or are
  - Damp (e.g., baths, washrooms, on wet floors); or are
  - Humid; or are
  - Dusty; or are
  - Subject to high levels of vibration.


---

- This unit should be used only with a snare stand or an MDS-10 that is recommended by Roland. 


#### ⚠ WARNING

- When using the unit with a snare stand or an MDS-10 recommended by Roland, the snare stand or the MDS-10 must be carefully placed so it is level and sure to remain stable. If not using a snare stand or an MDS-10, you still need to make sure that any location you choose for placing the unit provides a level surface that will properly support the unit, and keep it from wobbling. 


---

- Do not allow any objects (e.g., flammable material, coins, pins); or liquids of any kind (water, soft drinks, etc.) to penetrate the unit. 


---

- In households with small children, an adult should provide supervision until the child is capable of following all the rules essential for the safe operation of the unit. 




---

- Protect the unit from strong impact. (Do not drop it!) 



---

- To avoid personal injury and/or damage to the unit, do not touch anything inside the frame of the PD-100/120. 

 **CAUTION**

- Try to prevent cords and cables from becoming entangled. Also, all cords and cables should be placed so they are out of the reach of children. 
- Never climb on top of, nor place heavy objects on the unit. 
- Do not apply excessive force to the sensor (the blue projection) located below the center of the head. Doing so can interfere with accurate detection, and may damage it. 

 **CAUTION**

- Due to the nature of the materials used in the sensor, changes in room temperature may affect the sensitivity of the sensor. 
- Brushes can be used to play the PD-100/120 when the TD-10 is used as the sound module. When using brushes, be sure to use nylon brushes. Using metal brushes will not only scratch the head, but can also be hazardous, since the tip of the brush may catch in the mesh of the net. 

## ■ IMPORTANT NOTES

In addition to the items listed under “USING THE UNIT SAFELY” on page 2–3, please read and observe the following:

### Placement

- Do not expose the unit to direct sunlight, place it near devices that radiate heat, leave it inside an enclosed vehicle, or otherwise subject it to temperature extremes. Excessive heat can deform or discolor the unit.

### Maintenance

- For everyday cleaning wipe the unit with a soft, dry cloth or one that has been slightly dampened with water. To remove stubborn dirt, use a cloth impregnated with a mild, non-abrasive detergent. Afterwards, be sure to wipe the unit thoroughly with a soft, dry cloth.
- Never use benzene, thinners, alcohol or solvents of any kind, to avoid the possibility of discoloration and/or deformation.

### Additional Precautions

- Use a reasonable amount of care when using the unit’s buttons, sliders, or other controls; and when using its jacks and connectors. Rough handling can lead to malfunctions.
- When connecting / disconnecting all cables, grasp the connector itself—never pull on the cable. This way you will avoid causing shorts, or damage to the cable’s internal elements.

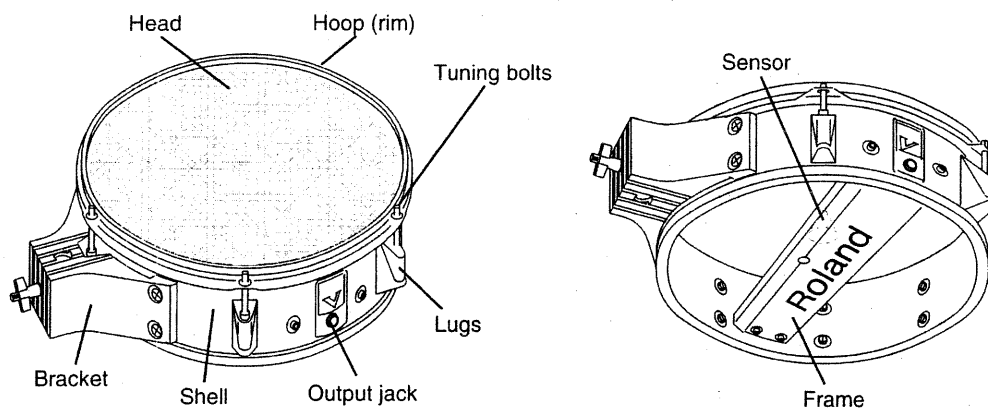
## Features

- Snare/tom pad with net material on head for superior playing feel, and quiet response.
- The PD-120 contains a rim sensor, for expressive possibilities rivaling an acoustic snare drum.
- The potential of the PD-100/120 is realized most fully when it is used in conjunction with the TD-10 percussion sound module.
  - Tonal changes can be expressed by varying the location at which the pad is struck.
  - Brushes (nylon) can be used for brush playing.

## Contents of the package

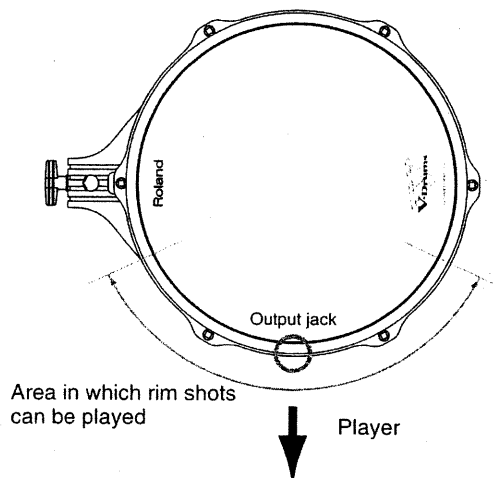
- PD-100 or PD-120 (pad unit)
- Owner's Manual (this manual)
- Connection cable

## Names of things



## Rim striking area

To play a rim shot, strike the rim in the area shown in the diagram. The rim trigger signal will be accurately detected in this area.



# Setup

*\* To Prevent malfunction and/or damage to speakers or other devices, always turn down the volume of all devices when you make connections.*

## ■ Connecting to a TD-10

Use the included cable to make connections. When connecting a PD-120, use the supplied stereo cable. If you use a monaural cable, rim shots cannot be played. Rim shots can be played only when a PD-120 is connected to the TRIGGER INPUT jack number 2 (SNARE).

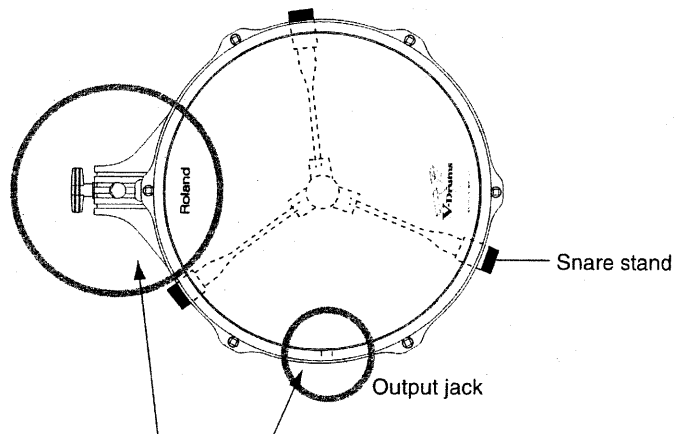
Connect the L-shaped plug of the included cable to the PD-100/120. This will prevent strain from being applied to the PD-100/120.

## ■ Connecting to a TD-5, TD-7 or SPD-11

The TD-5, TD-7 and SPD-11 do not support the rim sensor of the PD-120. If you use the included cable, set the parameters of the sound module to a rim volume of 0 to avoid malfunctions.

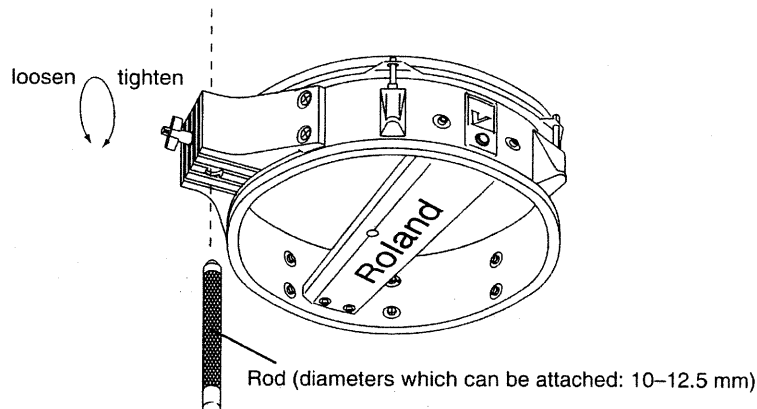
## ■ When using a snare stand

Use the PD-120 as the snare. Since the PD-120 has a diameter slightly smaller than an acoustic snare drum, some snare stands may not be able to hold it securely. When purchasing a snare stand for the PD-120, select one that is designed to firmly hold a 12-inch diameter drum (like the PD-120). If this is not fixed firmly in place, double triggering may occur.



## ■ When using a tom stand

When attaching the PD-100/120 to a tom stand, check the dimension of the rod. Depending on the dimension of the rod, it may not be possible to attach the pad to the stand.



## Adjusting the head

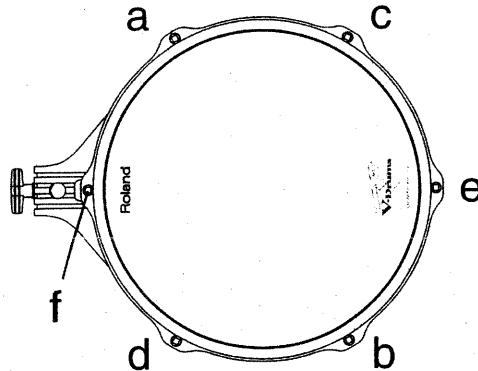
---

The head tension of the PD-100 and PD-120 can be adjusted.

To make adjustments, you will need an acoustic drum tuning key (optional).

\* *The PD-100 and PD-120 are shipped from the factory with the head tension loosened. Be sure to tighten the tension before use. Striking the head when the head tension is loose may damage the sensor.*

In general, a tension that produces a strike response approximately the same as an acoustic drum will be appropriate.



1. Strike the head to check the current tension of the head.
2. First adjust bolt 'a' in the above diagram. Rotate it clockwise to tighten the head tension, or slightly counterclockwise to loosen the tension.
3. Adjust bolt 'b' so that the tension is the same as the tension of 'a'.
4. Next adjust 'c' and 'd', and 'e' and 'f' in the same way.
5. Make sure that the head tension is even, and repeat steps 3 and 4 if you wish to make further adjustments.

\* *On the PD-100/120, adjusting the head tension affects only the strike feel, and does not change the pitch of the sound as it would on an acoustic drum. To adjust the pitch, edit the sound parameters of the TD-5, TD-7, SPD-11, or TD-10. For details refer to the respective owner's manual.*

\* *The head tension will change as the instrument is used, so you should readjust when necessary.*

### ■ Adjustment for detecting the strike point with the TD-10's TRIGGER INPUT jack number 2 (SNARE)

When a TD-10 is used as the sound module, the location at which the pad is struck can be varied to produce tonal changes. In this case, it is important to adjust the head to an even tension so that the striking location can be detected accurately. For details on adjustments, refer to the TD-10 owner's manual.

\* *The TD-5, TD-7, and SPD-11 are not able to detect the striking point.*

## Replacing the head

---

### ■ When the head should be replaced

The head is an expendable item that eventually will wear out and need to be replaced. Replace the head when the following occurs:

- The head surface is torn
- Striking points are no longer detected correctly, even when the head tension is properly adjusted.
- Slack portions remain in the head even when the head tension is properly adjusted.

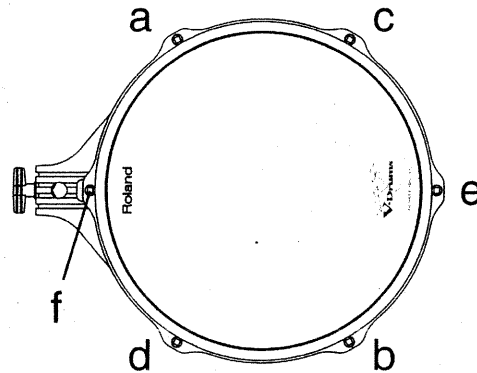
### Replacement heads (optional)

MH-10 Mesh Head: for the PD-100

MH-12 Mesh Head: for the PD-120

## ■ Head replacement procedure

In order to replace the head, you will need an acoustic drum tuning key (optional).



1. Remove all tuning bolts from the PD-100 or PD-120. Go around and gradually loosen each one in order (by turning it counterclockwise).
2. Remove the hoop.
3. Remove the old head.
4. Place the new head on the shell.
5. Place the hoop onto the head.
6. First lightly tighten bolt 'a' in the above diagram by rotating it clockwise. Then tighten bolt 'b' to about the same force.
7. Now lightly tighten 'c', and then 'd'. Tighten 'e' and 'f' in the same way.
8. Next adjust the tension of the head. Refer to "Adjusting the head" above.

\* The head will not be tensioned evenly if you tighten a tuning bolt all at once in one location. This can cause problems such as failure to detect the striking point, or an unsatisfactory strike response. Be sure to tighten each tuning bolt a little at a time, as described in the above explanation.

## Specifications

### PD-100 (10 inches)

Trigger: 1 (Head)  
Dimensions: 280 (W) x 360 (D) x 108 (H) mm  
11-1/16 (W) x 14-3/16 (D) x 4-1/4 (H) inches  
Weight: 2.3kg  
5 lbs 2 oz  
Accessories: Owner's Manual, Connection Cable  
Options: Mesh Head (MH-10), Pad Mount (MDH-7U), Pro Stand (MDS-10)

### PD-120 (12 inches)

Triggers: 2 (Head, Rim)  
Dimensions: 330 (W) x 420 (D) x 108 (H) mm  
13 (W) x 16-9/16 (D) x 4-1/4 (H) inches  
Weight: 2.8kg  
6 lbs 3 oz  
Accessories: Owner's Manual, Connection Cable  
Options: Mesh Head (MH-12), Pad Mount (MDH-7U), Pro Stand (MDS-10)

\* In the interest of product improvement, the specifications, appearance of this unit and/or contents of this package are subject to change without prior notice.

## Information

When you need repair service, call your nearest Roland Service Center or authorized Roland distributor in your country as shown below.

### ARGENTINA

**Instrumentos Musicales S.A.**  
Florida 638  
(1005) Buenos Aires  
ARGENTINA  
TEL: (01) 394 4029

### BRAZIL

**Roland Brasil Ltda.**  
R. Coronel Octaviano da Silveira  
203 05522-010  
Sao Paulo BRAZIL  
TEL: (011) 843 9377

### CANADA

**Roland Canada Music Ltd.**  
(Head Office)  
5480 Parkwood Way Richmond  
B. C., V6V 2M4 CANADA  
TEL: (0604) 270 6626

**Roland Canada Music Ltd.**  
(Toronto Office)

Unit 2, 109 Woodbine Downs  
Blvd, Etobicoke, ON  
M9W 6Y1 CANADA  
TEL: (0416) 213 9707

### MEXICO

**Casa Veerkamp, s.a. de c.v.**  
Av. Toluca No. 323 Col. Olivar de  
los Padres 01780 Mexico D.F.  
MEXICO  
TEL: (525) 668 04 80

**La Casa Wagner de  
Guadalajara s.a. de c.v.**  
Av. Corona No. 202 S.J.  
Guadalajara, Jalisco Mexico  
C.P. 44100 MEXICO  
TEL: (03) 613 1414

### PANAMA

**Productos Superiores, S.A.**  
Apartado 655 - Panama 1  
REP. DE PANAMA  
TEL: 26 3322

### U. S. A.

**Roland Corporation U.S.**  
7200 Dominion Circle  
Los Angeles, CA. 90040-3696,  
U. S. A.  
TEL: (0213) 685 5141

### VENEZUELA

**Musiland Digital C.A.**  
Av. Francisco de Miranda,  
Centro Parque de Cristal, Nivel  
C2 Local 20 Caracas  
VENEZUELA  
TEL: (02) 285 9218

### AUSTRALIA

**Roland Corporation  
Australia Pty. Ltd.**  
38 Campbell Avenue  
Dee Why West. NSW 2099  
AUSTRALIA  
TEL: (02) 982 8266

### NEW ZEALAND

**Roland Corporation (NZ) Ltd.**  
97 Mt. Eden Road, Mt. Eden,  
Auckland 3, NEW ZEALAND  
TEL: (09) 3098 715

### CHINA

**Beijing Xinghai Musical  
Instruments Co., Ltd.**  
2 Huangmunchang Chao Yang  
District, Beijing, CHINA  
TEL: (010) 6774 7491

### HONG KONG

**Tom Lee Music Co., Ltd.**  
Service Division  
22-32 Pun Shan Street, Tsuen  
Wan, New Territories,  
HONG KONG  
TEL: 2415 0911

### INDONESIA

**PT Galestra Inti**  
Kompleks Perkantoran  
Duta Merlin Blok E No.6-7  
Jl. Gajah Mada No.3-5,  
Jakarta 10130,  
INDONESIA  
TEL: (021) 6335416

### KOREA

**Cosmos Corporation  
Service Station**  
261 2nd Floor Nak-Won Arcade  
Jong-Ro ku, Seoul, KOREA  
TEL: (02) 742 8844

### MALAYSIA

**Bentley Music SDN BHD**  
No.142, Jalan Bukit Bintang 55100  
Kuala Lumpur, MALAYSIA  
TEL: (03) 2443333

### PHILIPPINES

**G.A. Yupangco & Co. Inc.**  
339 Gij J. Puyat Avenue  
Makati, Metro Manila 1200,  
PHILIPPINES  
TEL: (02) 899 9801

### SINGAPORE

**Swee Lee Company**  
BLOCK 231, Bain Street #03-23  
Bras Basah Complex,  
SINGAPORE 0718  
TEL: 3367886

### CRISTOFORI MUSIC PTE LTD

335, Joo Chiat Road SINGAPORE  
1542  
TEL: 3450435

### TAIWAN

**ROLAND TAIWAN  
ENTERPRISE CO., LTD.**  
Room 5, 9th. No. 112 Chung Shan  
N.Road Sec.2, Taipei, TAIWAN,  
R.O.C.  
TEL: (02) 561 3339

### THAILAND

**Theera Music Co., Ltd.**  
330 Vergn Nakorn Kasem, Soi 2,  
Bangkok 10100, THAILAND  
TEL: (02) 2248821

### BAHRAIN

**Moon Stores**  
Bad Al Bahrain Road,  
P.O.Box 20077  
State of BAHRAIN  
TEL: 211 005

### IRAN

**TARADIS**  
Mir Emad Ave. No. 15, 10th street  
P. O. Box 15875/4171 Teheran,  
IRAN  
TEL: (021) 875 6524

### ISRAEL

**Halilit P. Greenspoon &  
Sons Ltd.**  
8 Retzif Ha'aliya Hashnya St.  
Tel-Aviv-Yafo ISRAEL  
TEL: (03) 6823666

### JORDAN

**AMMAN Trading Agency**  
Prince Mohammed St. P. O. Box  
825 Amman 11118 JORDAN  
TEL: (06) 641200

### KUWAIT

**Easa Husain Al-Yousifi**  
P.O. Box 126 Safat 13002  
KUWAIT  
TEL: 5719499

### LEBANON

**A. Chahine & Fils**  
P.O. Box 16-5857 Gergi Zeidan St.  
Chahine Building, Achrafieh  
Beirut, LEBANON  
TEL: (01) 335799

### OMAN

**OHI Electronics & Trading  
Co. LLC**  
P. O. Box 889 Muscat  
Sultanate of OMAN  
TEL: 706 010

### QATAR

**Badie Studio & Stores**  
P.O.Box 62,  
DOHA QATAR  
TEL: 423554

### SAUDI ARABIA

**Abdul Latif S. Al-Ghamdi  
Trading Establishment**  
Middle East Commercial Center  
Al-Khobar Dharan Highway  
W/hamood st.  
P. O. Box 3631 Al-Khobar  
31952 SAUDI ARABIA  
TEL: (03) 898 2332

### SYRIA

**Technical Light & Sound  
Center**  
Khaled Ebn Al Walid St.  
P.O.Box 13520  
Damascus - SYRIA  
TEL: (011) 2235 384

### TURKEY

**Barkat Samayi ve Ticaret**  
Siraselvier Cad. Guney Ishani No.  
86/6 Taksim, Istanbul TURKEY  
TEL: (0212) 2499324

### U.A.E

**Zak Electronics & Musical  
Instruments Co.**  
Zabeel Road, Al Sherooq Bldg.,  
No. 14, Grand Floor DUBAI  
U.A.E.  
P.O. Box 8050 DUBAI, U.A.E  
TEL: (04) 360715

### EGYPT

**Al Fanny Trading Office**  
9, Ebn Hagar Al Askalany Street,  
Ard El Golf, Heliopolis, Cairo,  
11341 EGYPT  
TEL: (02) 4171828  
(02) 4185531

### KENYA

**Musik Land Limited**  
P.O. Box 12183 Moi Avenue  
Nairobi Republic of KENYA  
TEL: (2) 338 346

### MAURITIUS

**Philanne Music Center**  
4th, Floor Noll, Happy World  
House Sir William Newton Street  
Port Luis MAURITIUS  
TEL: 242 2986

### REUNION

**FO - YAM Marcel**  
25 Rue Jules Mermet  
Chaudron - BP79 97491  
Ste Clotilde REUNION  
TEL: 28 29 16

### SOUTH AFRICA

**That Other Music Shop  
(PTY) Ltd.**  
11 Melle Street (Cnr Melle and  
Juta Street)  
Braamfontein 2001  
Republic of SOUTH AFRICA  
TEL: (011) 403 4105

**Paul Bothner (PTY) Ltd.**  
17 Werdmuller Centre Claremont  
7700  
Republic of SOUTH AFRICA  
TEL: (021) 64 4030

### AUSTRIA

**E. Dematte & Co.**  
Neu-Rum Siemens-Strasse 4  
A-6040 Innsbruck P.O.Box 83  
AUSTRIA  
TEL: (0512) 26 44 260

### BELGIUM/HOLLAND/ LUXEMBOURG

**Roland Benelux N. V.**  
Houtstraat 1 B-2260 Oevel-  
Westerlo BELGIUM  
TEL: (014) 575811

### BELORUSSIA

**TUSHE**  
Ul. Rabkorovskaya 17  
220001 MINSK  
TEL: (0172) 764-911

### CYPRUS

**Radex Sound Equipment Ltd.**  
17 Diagorou St., P.O.Box 2046,  
Nicosia CYPRUS  
TEL: (02) 453 426  
(02) 466 423

### DENMARK

**Roland Scandinavia A/S**  
Langebrogade 6 Post Box 1937  
DK-1023 Copenhagen K.  
DENMARK  
TEL: 32 95 3111

### FRANCE

**MUSIKENGRO**  
Zac de Follieuses 01706  
Les Echets Miribel FRANCE  
TEL: 472 26 2700

### FINLAND

**Roland Scandinavia As,  
Filial Finland**  
Lautasaarentie 54 B  
Fin-00201 Helsinki, FINLAND  
P. O. Box No. 109  
TEL: (0) 682 4020

### GERMANY

**Roland Elektronische  
Musikinstrumente  
Handelsgesellschaft mbH.**  
Osistrasse 96, 22844 Norderstedt,  
GERMANY  
TEL: (040) 52 60090

### GREECE

**V. Dimitriadis & Co. Ltd.**  
20, Alexandras St. & Boutoulinas  
54 St. 106 82 Athens, GREECE  
TEL: (01) 8232415

### HUNGARY

**Intermusica Ltd.**  
Warehouse Area 'DEPO' Pf.83  
H-2046 Torokbalint, HUNGARY  
TEL: (23) 338 041

### IRELAND

**The Dublin Service Centre  
Audio Maintenance Limited**  
11 Brunswick Place Dublin 2  
Republic of IRELAND  
TEL: (01) 677322

### ITALY

**Roland Italy S. p. A.**  
Viale delle Industrie, 8  
20020 Arese Milano, ITALY  
TEL: (02) 93581311

### NORWAY

**Roland Scandinavia Avd.  
Kontor Norge**  
Lilleakerveien 2 Postboks 95  
Lilleaker N-0216 Oslo  
NORWAY  
TEL: 273 0074

### POLAND

**P. P. H. Brzostowicz Marian**  
UL. Blokowa 32, 03624 Warszawa  
POLAND  
TEL: (022) 679 44 19

### PORTUGAL

**Caius - Tecnologias Audio e  
Musica , Lda.**  
Rue de Catarina 131  
4000 Porto, PORTUGAL  
TEL: (02) 38 4456

### RUSSIA

**PETROSHOP Ltd.**  
11 Sayanskaya Street Moscow  
11531, RUSSIA  
TEL: 095 307 4892

### Slami Music Company

Sadojawa-Triumfalnaja st., 16,  
103006 Moscow, RUSSIA  
TEL: 095 209 2193

### SPAIN

**Roland Electronics  
de España, S. A.**  
Calle Bolivia 239 08020 Barcelona,  
SPAIN  
TEL: (93) 308 1000

### SWEDEN

**Roland Scandinavia A/S**  
Danvik Center 28 A, 2 tr.  
S-131 30 Nacka SWEDEN  
TEL: (08) 702 0020

### SWITZERLAND

**Roland (Switzerland) AG  
Musitronic AG**  
Gerberstrasse 5, CH-4410 Liestal,  
SWITZERLAND  
TEL: (061) 921 1615

### UKRAINE

**TIC-TAC**  
Mira Str. 19/108  
P.O.Box 180  
295400 Munkachevo, UKRAINE  
TEL: (03131) 414-40

### UNITED KINGDOM

**Roland (U.K.) Ltd., Swansea  
Office**  
Atlantic Close, Swansea  
Enterprise Park SWANSEA  
West Clamorgan SA7 9FJ,  
UNITED KINGDOM  
TEL: (01792) 702701





 Roland®

17055134

UPC

17055134



10981

**Roland**