

BOSS

OD-1 Over Drive INSTRUCTIONS

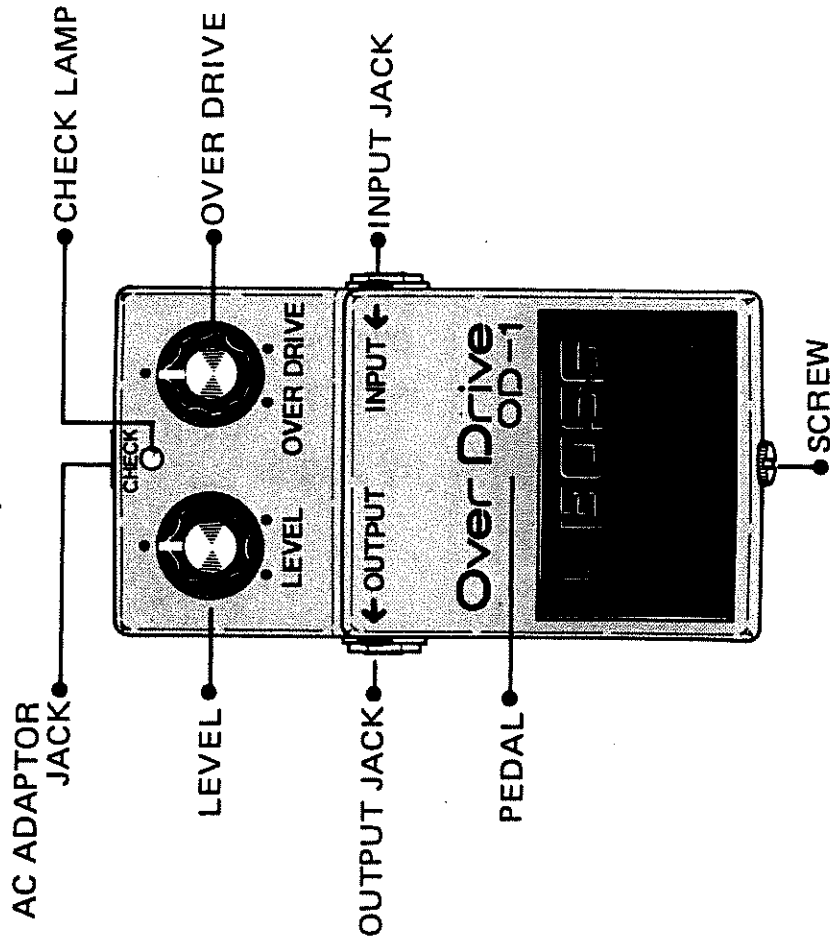


AC & BATTERY
POWERED

- Please read these instructions carefully for proper operating procedures for the BOSS OD-1.

BOSS Over Drive OD-1, quite unlike conventional distortion units, can be used with any type of guitar for high-fidelity production of picking intensity and other player's delicate techniques. It produces soft and natural sound distortion just like an over-driven valve-amplifier but it preserves the tone quality of the guitar you play.

NAME AND FUNCTIONS



OVER DRIVE

This knob controls level of over-drive tone (soft distortion). Turn clockwise (↻) to lift and counterclockwise (↺), to cut.

LEVEL

This knob functions to compensate for the level difference between Normal and Effect settings. Turning clockwise (↻) increases volume of Effect mode and counterclockwise (↺), decreases.

INPUT JACK

This input jack receives output from electric guitar and other electronic instruments.

OUTPUT JACK

This jack feeds signal to amplifier.

AC ADAPTOR JACK

OD-1 operates both from self-contained battery (9V) and from AC line. Connect a BOSS AC Adaptor (DC9V) to this jack, and the battery is disconnected from the circuit, guaranteeing stable long-time performance.

PEDAL SWITCH

This is a changeover switch for Normal or Effect. By use of **FET ELECTRONIC SWITCH**, first in these kinds of small size effect units, pop noise is perfectly eliminated and OD-1 can be satisfactorily employed even in studio recording.

CHECK LAMP

While pedal is trod down, this lamp lights if battery is normal. Thus this lamp lets you confirm the changeover between Effect and Normal modes, and also battery state.

If the indicator fails to light, replace the battery with a new one.

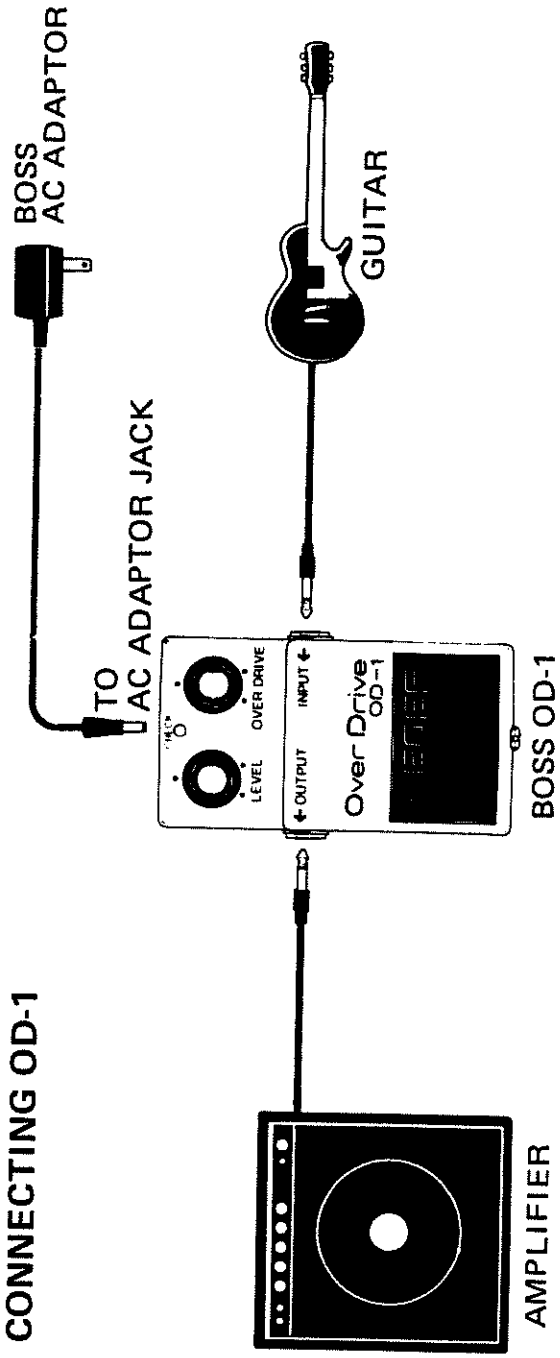
SCREW

When replacing battery, loosen this screw to open the casing. Do not remove off the screw from the pedal. If you do, be careful not to lose it.

BEFORE USING OD-1

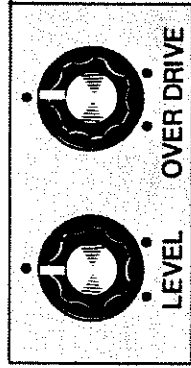
- When operating OD-1 from AC line, use BOSS AC Adaptor for OD-1.
- Avoid using OD-1 in very dusty location or under high temperature or humidity conditions.

CONNECTING OD-1



OPERATING OD-1

1



After connecting all cords required, set all knobs on the panel as illustrated.

2

Tread the pedal to check battery. If check lamp lights, battery is live.

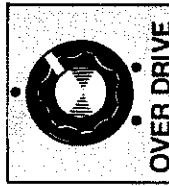
* If lamp does not light, which means dead battery, replace with a new battery.

3



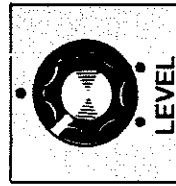
Tread pedal to set the unit in the state that sound is effected.

4



Turn Over Drive knob to proper position.

5

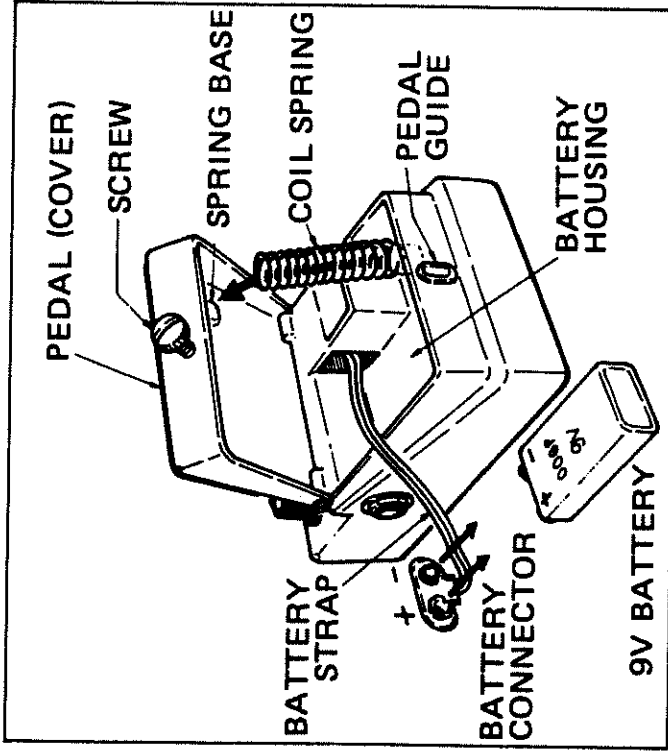


While switching pedal ON and OFF, turn Level knob to proper position so no volume difference between Normal and Effect modes is noticed.

CAUTIONS FOR REPLACING AND HANDLING BATTERY

REPLACING BATTERY USE ONE 9-VOLT BATTERY.

- 1 Loosen the screw of pedal to open it and take out battery from its housing.
- 2 Replace the battery by a fresh one and put it into position.
- 3 Set coil spring onto the projection on the rear of the pedal and shut the cover (pedal). Finally, insert the screw into the pedal guide and tighten it.
At this time, be careful not to catch the battery strap in the cover or coil spring.

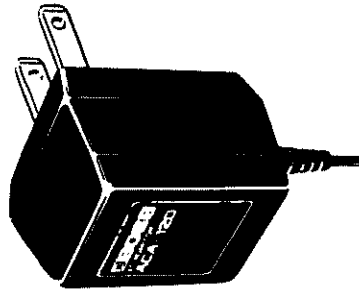


CAUTIONS

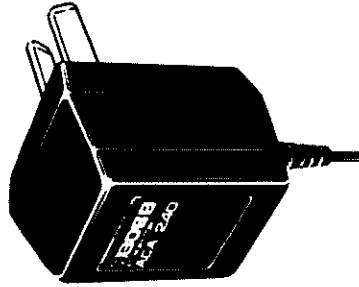
- When you don't use for a long period, remove the battery to prevent current leakage and leaking out of sticky substance.
- If battery voltage drops, effect becomes inferior or no sound is produced. To prevent that, replace the battery a little earlier.
- Be sure to keep the battery snapped by connector into the housing, when using AC adaptor, too.
- * Even if AC Adaptor cord comes out during performance, operations immediately changes to battery, causing no trouble in continued performance.
- Power is switched on while a plug is put into input jack. When you do not use, keep the plug off the jack.

AC ADAPTOR (OPTION)

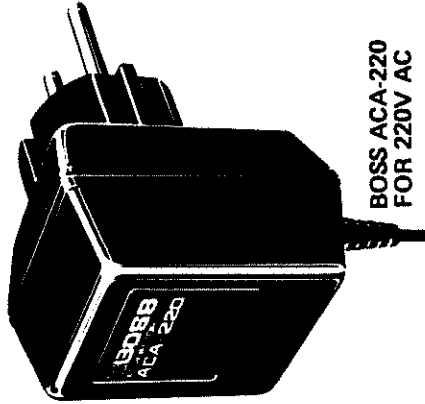
When you operate OD-1 from AC line, use AC Adaptor (DC9V) for OD-1.



BOSS ACA-120
FOR 117V AC



BOSS ACA-240
FOR 240V AC



BOSS ACA-220
FOR 220V AC



10417

UPC 10417



SPECIFICATIONS

Power	Battery 9V (1) AC Adaptor
Current draw	DC9V, 3.5mA
Control	Overdrive, Level
Others	Normal/Effect Changeover Switch, Battery Check Lamp (also for confirmation of Normal/Effect changeover)
Jack	Input, Output, AC Adaptor
S/N ratio	Over 80dB
Input impedance	220K Ω
Output load impedance	Over 600 Ω
Dimensions	70(W) x 55(H) x 125(D)mm
Weight	400g

* Specifications are subject to change without notice.



Products of Roland

Printed in Japan Feb. '78 A-3