





# Digital Piano

	<b>CAUTION</b> RISK OF ELECTRIC SHOCK DO NOT OPEN	
<b>ATTENTION</b> RISQUE DE CHOC ELECTRIQUE NE PAS OUVRIR		
<p><b>CAUTION:</b> TO REDUCE THE RISK OF ELECTRIC SHOCK, DO NOT REMOVE COVER (OR BACK). NO USER-SERVICEABLE PARTS INSIDE. REFER SERVICING TO QUALIFIED SERVICE PERSONNEL.</p>		



The lightning flash with arrowhead symbol, within an equilateral triangle, is intended to alert the user to the presence of uninsulated "dangerous voltage" within the product's enclosure that may be of sufficient magnitude to constitute a risk of electric shock to persons.



The exclamation point within an equilateral triangle is intended to alert the user to the presence of important operating and maintenance (servicing) instructions in the literature accompanying the product.

INSTRUCTIONS PERTAINING TO A RISK OF FIRE, ELECTRIC SHOCK, OR INJURY TO PERSONS.

## IMPORTANT SAFETY INSTRUCTIONS SAVE THESE INSTRUCTIONS

**WARNING** - When using electric products, basic precautions should always be followed, including the following:

1. Read all the instructions before using the product.
2. Do not use this product near water — for example, near a bathtub, washbowl, kitchen sink, in a wet basement, or near a swimming pool, or the like.
3. This product should be used only with a cart or stand that is recommended by the manufacturer.
4. This product, either alone or in combination with an amplifier and headphones or speakers, may be capable of producing sound levels that could cause permanent hearing loss. Do not operate for a long period of time at a high volume level or at a level that is uncomfortable. If you experience any hearing loss or ringing in the ears, you should consult an audiologist.
5. The product should be located so that its location or position does not interfere with its proper ventilation.
6. The product should be located away from heat sources such as radiators, heat registers, or other products that produce heat.
7. The product should be connected to a power supply only of the type described in the operating instructions or as marked on the product.
8. The power-supply cord of the product should be unplugged from the outlet when left unused for a long period of time.
9. Care should be taken so that objects do not fall and liquids are not spilled into the enclosure through openings.
10. The product should be serviced by qualified service personnel when:
  - A. The power-supply cord or the plug has been damaged; or
  - B. Objects have fallen, or liquid has been spilled onto the product; or
  - C. The product has been exposed to rain; or
  - D. The product does not appear to operate normally or exhibits a marked change in performance; or
  - E. The product has been dropped, or the enclosure damaged.
11. Do not attempt to service the product beyond that described in the user-maintenance instructions. All other servicing should be referred to qualified service personnel.

**For the USA**

This product may be equipped with a polarized line plug (one blade wider than the other) . This is a safety feature. If you are unable to insert the plug into the outlet, contact an electrician to replace your obsolete outlet. Do not defeat the safety purpose of the plug.

**For Canada**

For Polarized Line Plug

**CAUTION:** TO PREVENT ELECTRIC SHOCK, MATCH WIDE BLADE OF PLUG TO WIDE SLOT. FULLY INSERT.  
**ATTENTION:** POUR ÉVITER LES CHOCS ÉLECTRIQUES, INTRODUIRE LA LAME LA PLUS LARGE DE LA FICHE DANS LA BORNE CORRESPONDANTE DE LA PRISE ET POUSSER JUSQU' AU FOND.

**For the U.K.**

**IMPORTANT:** THE WIRES IN THIS MAINS LEAD ARE COLOURED IN ACCORDANCE WITH THE FOLLOWING CODE.

BLUE: NEUTRAL  
BROWN: LIVE

As the colours of the wires in the mains lead of this apparatus may not correspond with the coloured markings identifying the terminals in your plug, proceed as follows:

The wire which is coloured BLUE must be connected to the terminal which is marked with the letter N or coloured BLACK.  
The wire which is coloured BROWN must be connected to the terminal which is marked with the letter L or coloured RED.

# Roland

## Roland Digital Piano

# HP 1800e

## OWNER'S MANUAL

Thank you, and congratulations on your choice of the Roland HP-1800e Digital Piano.

Thanks to its use of Advanced SA Process digital sound sources, the HP-1800e faithfully recreates the powerful lows and sparkling highs of a concert grand piano. Moreover, it comes equipped with a keyboard that is a delight to play — one which responds to every playing dynamic. And because the instrument's sound sources are digital, the piano will never need tuning to retain its sound quality. For these and many other reasons, you will now be able to enjoy everything you would expect from a traditional piano — all within a user-friendly, compact package that more readily fits into a modern lifestyle.

In order to take full advantage of the HP-1800e's numerous features, and to enjoy years of trouble-free service, please take the time to read through this manual.

### Features

---

- **Six Different Sounds** <Page 6>  
The selection of sounds, beginning with a luxurious grand piano, allows you to play music in virtually any style.
- **A Dual Function** <Page 6>  
Any two Voices can be combined (layered) and played together.
- **Digital Effects** <Page 7>  
Your new piano comes equipped with two digital effects: Chorus and Reverb.
- **A "Recorder"** <Page 8>  
An easy-to-operate Recorder allows you to record and play back the music you create.
- **A Key Touch Function** <Page 9>  
Three 'Touch' levels are available, allowing the player to adjust the keyboard feel to suit personal preferences.
- **A Damper Pedal** <Page 9>  
When the Damper pedal is depressed, the HP-1800 provides a realistic simulation of "sympathetic resonance." This effect occurs when strings (on an acoustic piano) adjacent to the notes played also resonate, creating much richer, expansive sonorities.
- **Auto Loudness Effect**  
Allows you to obtain impressively emphasized bass sounds even with fainter notes.
- **Tuning Functions**  
Even though there is no need to tune an electric piano at regular intervals, or after it has been moved, the instrument allows for the creative use of alternate tunings.  
**Master Tuning** <Page 6>  
The overall pitch of the piano can be changed to match the pitch of other musical instruments.
- **MIDI Capability** <from Page 10>  
The instrument also provides for use of MIDI, the interface standard designed to provide for the transfer of performance information among electronic musical instruments and computers.

#### About the Advanced SA Sound Sources

The sounds produced by this instrument are created using the "Advanced SA Process," which represents a pooling of the best leading-edge digital technology by Roland. The ASA process, developed as a natural extension of the original SA process, involved a series of efforts: first, an analysis of the essential properties of sound as generated by musical instruments, then an extraction, and finally a re-synthesis designed to facilitate the expressive needs of musicians. The result is a sound generation method which provides very finely textured and realistic sounds.

Copyright © 1994 by Roland Corporation

All rights reserved. No part of this publication may be reproduced in any form without the written permission of Roland Corporation.

## Contents

---

Features .....	3
Contents .....	4
Important Notes .....	4
Assembling the KS-1800e Stand for the HP-1800e .....	5
Front Panel Description .....	6
Rear Panel Description .....	6
Turning the Power On .....	7
Using Headphones .....	7
Listening to the Demonstration Songs .....	8
Try Recording What You Play .....	8
How to Create Recordings .....	8
Now try listening to what you just recorded .....	8
Playing with the Key Transposed .....	9
Playing a piece in some other key with the fingering of C .....	9
Pedal Functions .....	9
Key Touch Function .....	9
Changing the Depth of the Chorus Effect .....	10
Applying Reverb to the Sound .....	10
For Those Who Wish To Use MIDI .....	10
Setting the MIDI Transmit/Receive Channels .....	11
Omni On/Off .....	11
Local On/Off .....	11
The Multi-Timbral Mode .....	12
Selecting the Transmission/Reception Mode .....	12
Transmission/Reception of Program Change Messages .....	13
Troubleshooting .....	14
Specifications .....	14
MIDI Implementation Chart .....	15

## Important Notes

---

In addition to the items listed under Safety Precautions on page 16, please read and adhere to the following:

### Power Supply

- When making any connections with other devices, always turn off the power to all equipment first; this will help prevent damage or malfunction.
- Do not use this unit on the same power circuit with any device that will generate line noise, such as a motor or variable lighting system.

### Placement

- Using the unit near power amplifiers (or other equipment containing large transformers ) may induce hum.
- This unit may interfere with radio and television reception. Do not use this unit in the vicinity of such receivers.
- Make sure you always have the instrument placed so it is level and sure to remain stable. Otherwise, if played while tilted, you risk causing damage to the keyboard as a result of the unnatural degree of force that might be applied to certain parts of it.

### Maintenance

- For everyday cleaning wipe the unit with a soft, dry cloth (or one that has been slightly dampened with water). To remove stubborn dirt, use a mild neutral detergent. Afterwards, be sure to wipe the unit thoroughly with a soft, dry cloth.
- Never use benzene, thinners, alcohol or solvents of any kind, to avoid the risk of discoloration and/or deformation.

### Additional Precautions

- Protect the unit from strong impact.
- Before using the unit in a foreign country, consult with qualified service personnel.
- Watch your fingers when opening or closing the cover. Smaller children might need some help.
- Do not attempt to forcibly the music stand further forward than it is designed for. (Keep it within its normal swing when moved gently.)
- Never place vases, drinks, or any other item containing liquid on top of the unit. In the event of a spill, be sure to wipe clean immediately with a dry cloth. Any spill that is not cleaned up promptly may damage the finish. If liquid enters the unit, there is the fire or electric shock.

# Assembling the KS-1800e Stand for the HP-1800e

Two people are needed to carry out the assembly. Never attempt it alone.

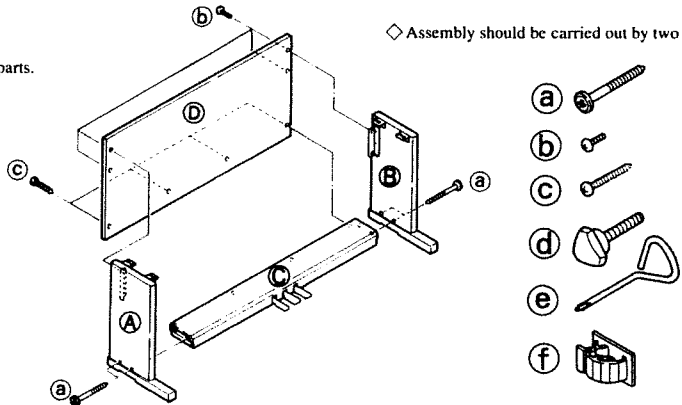
\* To move the main unit, be sure to keep it level while you lift it straight up.

Be very careful, so as to avoid getting fingers pinched or toes hurt by accidentally dropping the unit.

## Check the parts

Before you begin assembly, check that you have all the following parts.

(A) Side board (left) .....	1
(B) Side board (right) .....	1
(C) Pedal board .....	1
(D) Rear board .....	1
(a) Long screws (M6 × 54 mm) .....	4
(b) Short screws (M4 × 27 mm) .....	4
(c) Pointed screws (4 × 25 mm) .....	4
(d) Knob bolts .....	2
(e) Phillips head screwdriver .....	1
(f) Cord clamps .....	2



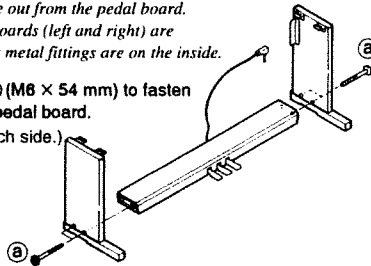
## Assembly procedure

### 1 Attach the side boards (left and right) to the pedal board.

**Note** Extend the pedal cable out from the pedal board.

**Note** Be sure that the side boards (left and right) are oriented correctly: the metal fittings are on the inside.

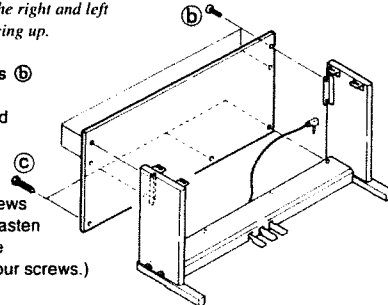
- Use the long screws (a) (M6 × 54 mm) to fasten the side boards to the pedal board. (Use two screws for each side.)



### 2 Attach the rear board.

**Note** Be sure that the rear board is oriented correctly: the grained surface is on the inside, and the black-painted surface on the outside. The end with two through holes on the right and left sides should be facing up.

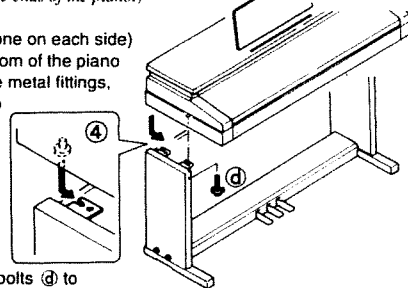
- Use the short screws (b) (M4 × 27 mm) to fasten the rear board to the side boards. (Use two screws for each side.)
- Use the pointed screws (c) (4 × 25 mm) to fasten the rear board to the pedal board. (Use four screws.)



### 3 Attach the piano to the stand.

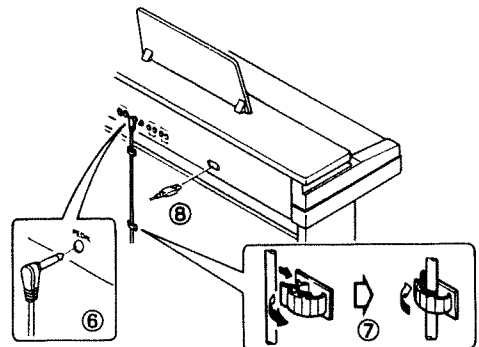
**Note** When placing the piano on the stand, be careful not to pinch your fingers. (Avoid holding the ends of the piano.)

- Align the screws (one on each side) located on the bottom of the piano with the slots in the metal fittings, and slide the piano toward the front so the screws slide into position.
- After the piano is secured to the metal fittings, use the two knob bolts (d) to fasten the piano to the stand. (one on each side)



### 4 Fasten the pedal cord with the cord clamps; and plug in the pedal cord and the power cord.

- Plug the pedal cord into the jacks on the rear side of the piano.
- Affix the cord clamps (f) on the appropriate positions at the back of the rear board. (See the figure below.) then fasten the pedal cord using the clamps.
- Plug the power cord into the rear side of the piano. (The power cord is supplied with the piano.)

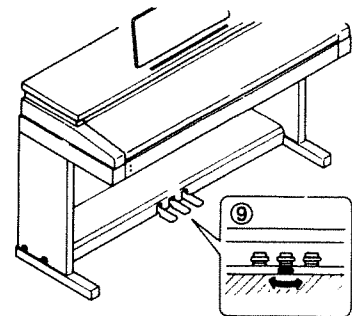


### 5 Rotate the adjusting bolt

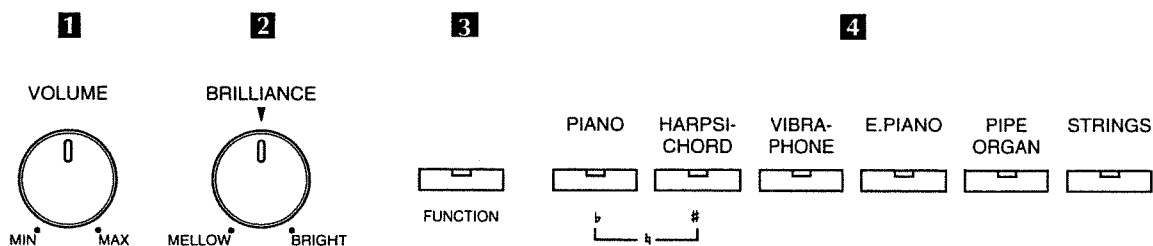
**Note** If the piano is placed on carpeting, rotate the adjusting bolt a little more so it is properly supported by the floor.

**Note** When placing the piano in its location, be sure not to pinch the power cord underneath the piano.

- After the piano has been assembled and installed in its location, rotate the adjusting bolt on the bottom of the pedal board until it completely touches the floor.



## Front Panel Description



### 1 VOLUME Knob

At "MAX" the volume will be greatest.

### 2 BRILLIANCE Knob

The sound becomes brighter as the knob is turned toward BRIGHT.

### 3 FUNCTION Button

The FUNCTION button, when used in combination with other buttons or keyboard, is used to perform the following procedures:

- Playing the demo songs (p. 8)
- Transposing to other keys (p. 9)
- Setting the MIDI Transmit/Receive Channels (p. 11)
- Setting Omni ON or OFF (p. 11)
- Setting Local ON or OFF (p. 11)
- Setting the Multi-Timbral mode (p. 12)
- Setting the MIDI mode (p. 12)
- Transmission/Reception of Program Change Messages (p. 13)

### 4 Voice Buttons

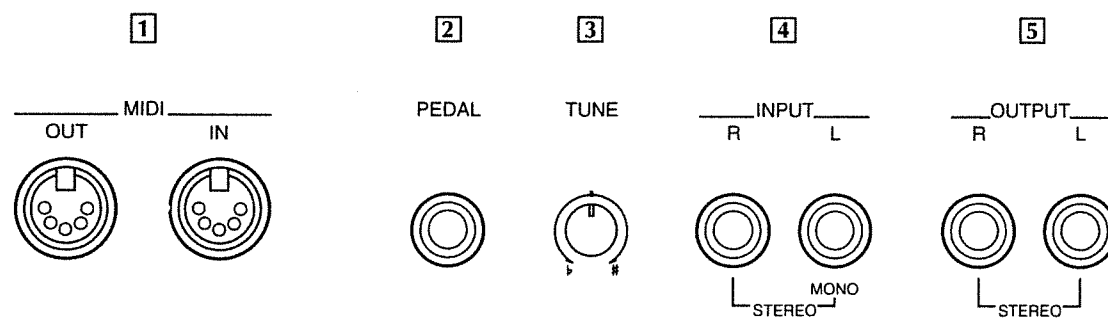
Use these buttons to select the sound you want.

PIANO	A rich concert grand piano sound.
HARPSICHORD	A distinctively sensitive and refined harpsichord sound.
VIBRAPHONE	The sound of a large vibraphone.
E. PIANO	Provides the timbre of a luminous, transparent electric piano.
PIPE ORGAN	A Cathedral pipe organ.
STRINGS	The sound of a delightful string ensemble.

Press any two Voice buttons simultaneously to have those two sounds combined and played together. (This is known as the DUAL function.)

\* The Chorus setting that will apply to the sounds in a layered pair will be the setting made for the Voice button on the left.

## Rear Panel Description



### 1 MIDI Connectors

Accept the MIDI cables used to connect external electronic instruments.

### 2 PEDAL Jack

This is where you'll connect the supplied pedals.

### 3 TUNE Knob

Allows the overall pitch to be adjusted. With the knob at its center position, the center A key (*la*) on the keyboard will have a frequency of 440 Hz.

Move the knob in the direction of "#" to raise the pitch, and toward "b" to lower it. By rotating the knob to either extreme, you obtain a change of 50 cents (1/2 semitone).

### 4 INPUT Jacks

Accept input of audio signals from some other unit (CD player, cassette deck etc.) that you wish to hear through the HP-1800's speakers.

### 5 OUTPUT Jacks

Provide output of sound produced by the HP-1800e.

**5****6****7****8****9**

CHORUS

REVERB

KEY TOUCH  
LIGHT HEAVY

REC

PLAY



DEMO

**5 CHORUS Button**

Press the **CHORUS** button (its indicator will light) to add minute pulsations to the sounds you play, and make them seem fatter and more expansive.

You can select from six Chorus Depth levels. (p. 10)

\* **Chorus On/Off setting can be set individually for each Voice.**

**Hold down a Voice button while you press the CHORUS button to store the setting (ON /OFF) along with that Voice.**

**6 REVERB Button**

Press the **REVERB** button (its indicator will light) to add reverberation (spacious ambiance) to the sound.

You can select from six Reverb Depth levels. (p. 10)

\* **Reverb On/Off cannot be set individually for each Voice.**

**7 KEYTOUCH Button**

Allows you to adjust the keyboard's sensitivity. (p. 9)

**8 REC Button**

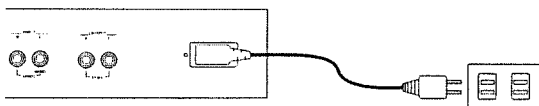
Allows you to record your performances. (p. 8)

**9 PLAY Button**

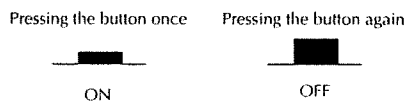
Pressed to play back what you have recorded. (p. 8)

## Turning the Power On

1. Insert the plug on the power cord into an outlet.



2. Press the **POWER** button on the left side of the panel.  
(Press the button again to turn it OFF.)



\* **A muting feature comes into effect for a brief interval (about 2 seconds) after power up. During this interval, nothing will be heard if you play the keyboard.**

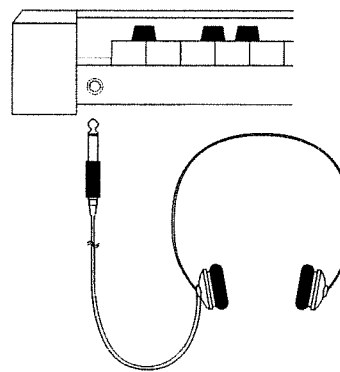
\* **Be sure to use only the power cord supplied with this unit.**

\* **Whenever you do not intend to use the piano for an extended period of time, disconnect the power cord from the outlet.**

## Using Headphones

To use headphones, insert the plug into the jack located on the left side of the instrument.

\* **The piano's speakers will no longer produce sound once you have headphones connected. This is convenient for private practice or late-night playing.**



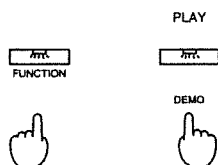
\* **The VOLUME knob on the instrument can be used to adjust the volume as necessary.**

\* **We recommend the use of stereo headphones.**

## Listening to the Demonstration Songs

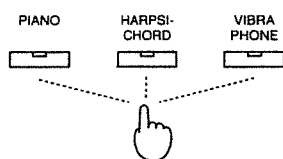
The HP-1800e contains three demonstration songs in memory which highlight the instrument's capability. To hear them, follow the steps below.

1. While holding down the **FUNCTION** button, press **PLAY** button (both buttons will start to flash) and in a few seconds the Demo songs will start to play.



2. When one song finishes, the next one will start playing automatically.

If you wish to listen to only one song, press **PLAY** button while holding the **FUNCTION** button. Then within 2-3 seconds, press one of the **PIANO**, **HARPSICHORD** and **VIBRAPHONE** buttons. **PIANO** gives you the first song, **HARPSICHORD** the second one and **VIBRAPHONE** the third one. (The button indicator will be flashing for the song currently playing.)



3. To stop playback of one song and have the another play, simply press the another Voice button (where the indicator is not flashing).

To stop playback of the demonstration songs (and return to the standard mode), press the **FUNCTION** or **PLAY** button.

Voice Buttons	Composer	Song Title
PIANO	Chopin	from Valse No.6 " Petit chien" op.64-1
HARPSICHORD	Chopin	from Nocturne No.1 op.9-1
VIBRAPHONE	J.S.Bach	from Cantata BWV. 147 arranged by Naoki Nishi

### Profile of the demo song arranger

Naoki Nishi

Born in 1958 in Hiroshima.

Began working professionally at the age of 21. Has so far released 8 albums on which he is featured. He has also taken part in numerous other albums. His broad range of activities have included appearances at a number of jazz festivals in Japan and other parts of the world. In addition to his duties as an instructor at the Tokyo Conservatoire Shoubi, he has provided his services as a demonstrator for Roland since 1990. He is considered to be one of Japan's finest jazz pianist.

## Try Recording What You Play

### How to Create Recordings

Use whatever Voice you like to play whatever song you wish to record. When completed, you will be able to listen to the results, and check how well you played the song.

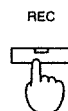
1. Select the Voice you wish to use for the recording, then make any other selections you wish, such as for Chorus and Reverb.

When ready, press the **REC** button (its indicator will light). This means that the instrument is in stand-by, waiting for recording to begin.



2. Start playing. (Recording will start the moment the first note is played.)

3. When finished, press the **REC** button again to stop recording. The indicator should go out.



\* During recording, you can change to any other Voice you wish to use.

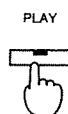
\* You can record up to approximately 2,000 notes. When the unit starts running low on memory space, the indicator on the REC button will start flashing. If you continue recording, the REC indicator will begin flashing faster.

Once you reach the stage where the unit cannot record any more, the indicator on the REC button will go out, and recording stops automatically.

\* Once you begin a new recording, all of the performance data previously recorded will be erased. Once erased, performance data cannot be recovered.

### Now try listening to what you just recorded

Press the **PLAY** button (its indicator will light).



The unit stops automatically after the song has played through. The indicator will then go out. (Press the **PLAY** button to stop playback at any point.)

\* The performance data that you record will disappear about 8 hours after power has been turned off. If you need a more permanent form of storage for your songs, you will need to connect an external sequencer (p. 10) and record onto that unit.

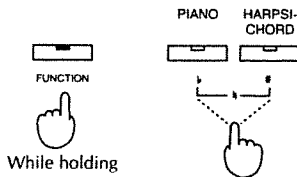
\* To manually erase all recorded performance data, simultaneously press the **REC** and **PLAY** buttons.



## Playing with the Key Transposed

If you wish, you can play the instrument with the key 'transposed.' This conveniently allows you to play in a key that matches a vocal accompaniment, without changing your fingering on the keyboard. Transposition is also useful when you are going to play a piece in a key other than C, and wish to play it as if it were in the key of C. This makes it easier to play.

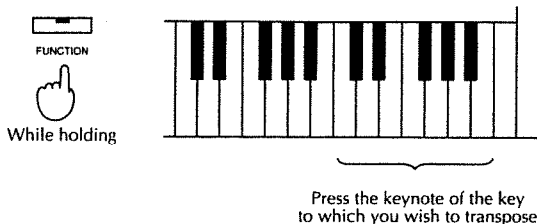
While holding down the **FUNCTION** button, press either **PIANO** (♭) or **HARPSICHORD** (♯) enough times to obtain the amount of transposition you wish.



- # With each press, the sound is raised by 1 semitone. (Max. of 5 semitones.)
- ♭ With each press, the sound is lowered by 1 semitone. (Max. of 6 semitones.)

## Playing a piece in some other key with the fingering of C

You need to specify which note you wish to sound when the C key (*do* in the key of C) is pressed. Hold down the **FUNCTION** button while you press the keynote for the key you wish to transpose to (using the C-B keys in the upper-most of the keyboard). For example, to play an E major piece in the key of C major, you would hold down the **FUNCTION** button while you press E (*mi*).

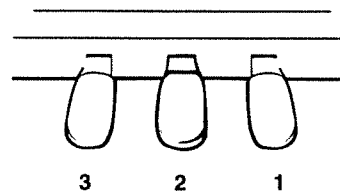


- \* To return to the key of C, press **PIANO** (♭) and **HARPSICHORD** (♯) simultaneously while holding down the **FUNCTION** button.
- \* The indicator on the **FUNCTION** button will remain lit while transposition is in effect.
- \* To cancel transposition, press the **FUNCTION** button again, and confirm that its indicator has gone out.
- \* Once you have set the transposition, all you need to do to obtain the same transposition the next time is to press the **FUNCTION** button.

- \* If you have used the Key Transpose feature to raise the pitch (by 1 to 5 semitones), the keyboard's 5 highest keys (at the far right) will sound one octave lower than normal when playing organ or string sounds.

## Pedal Functions

The specialized stand comes equipped with 3 pedals. The right one is the Damper pedal, the middle one is the Sostenuto pedal, and the left one acts as the Soft pedal.



- 1 Damper Pedal**  
While the Damper Pedal is depressed, notes that have been played will continue to sound even after your fingers have been removed from those keys.
- 2 Sostenuto Pedal**  
This pedal is used to sustain only the sound of those keys that are pressed at the very moment the pedal is depressed. Notes played afterwards are not effected.
- 3 Soft Pedal**  
When depressed, you obtain a softer sound.

## Key Touch Function

This instrument allows you to select one of three touch settings. These settings determine how the keyboard will respond to certain playing dynamics. Choose the setting which is most comfortable.

**Medium** This is the standard setting. The response provided by this setting is generally perceived as being the most natural.

**Light** With this setting, the keys will seem lighter to the touch, and fortissimo levels can be achieved with much less effort.

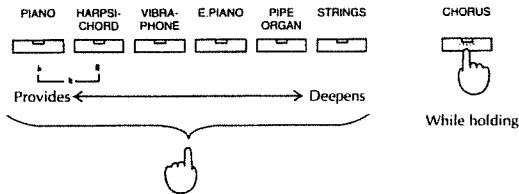
**Heavy** With this setting, the keys will seem heavier to the touch, and you will need to apply even more force than normal to obtain fortissimo levels.

- \* When powered up, the instrument will be at the default setting (**Medium**).

## Changing the Depth of the Chorus Effect

You can select from 6 different Chorus levels.

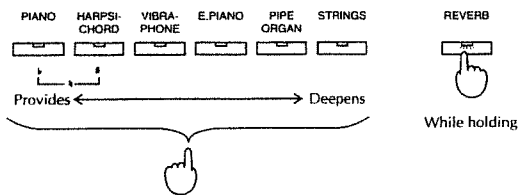
1. Hold down the **CHORUS** button for a few seconds until you have confirmed that its indicator has started to flash.
2. With the **CHORUS** button still depressed, press the appropriate Voice button to select the desired depth setting.



## Applying Reverb to the Sound

You can select from 6 different Reverb levels.

1. Hold down the **REVERB** button for a few seconds and its indicator will start to flash.
2. With the **REVERB** button still depressed, press the appropriate Voice button to select the desired depth setting.



## For Those Who Wish To Use MIDI

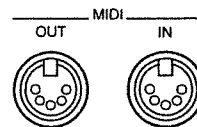
Those satisfied with playing the piano by itself need not read the following.

### About MIDI...

The MIDI (Musical Instrument Digital Interface) standard was created to provide for the exchange of performance information among electronic musical instruments and computers.

### The MIDI Connectors

Take a look at the rear panel of your piano. You should be able to quickly find the two MIDI sockets. These connectors enable the piano to 'converse' with other MIDI-equipped units. The two connectors function as follows:

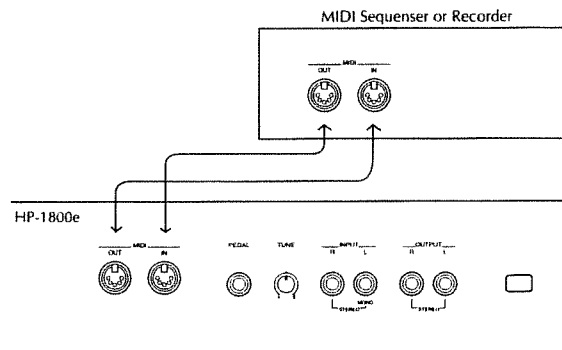


- **MIDI IN Connector**  
This connector is where messages from other MIDI-equipped units are received, and can be likened to the "ears" which listen to what the other instrument has to convey.
- **MIDI OUT Connector**  
From this connector, messages are sent out to other MIDI-equipped units. It can be likened to the "mouth" in the ongoing dialogue between the units.

In order to enable communication between two devices, you need to run a cable, such as shown below, between their respective MIDI connectors.



### Connecting a recorder or sequencer such as the PR-1 or MT-200

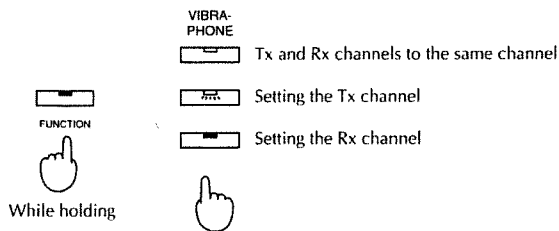


## Setting the MIDI Transmit/Receive Channels

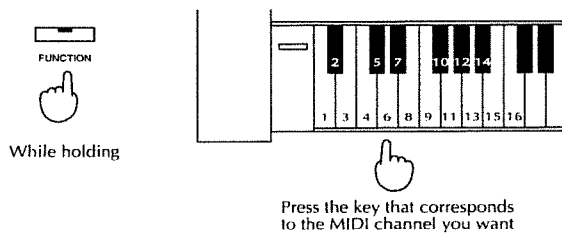
MIDI provides for the use of 16 channels, numbered 1—16. When the channel used by the transmitting unit matches that of a remote receiving unit, you can play sounds contained in the remote unit, or change the sounds it uses.

Hold down the **FUNCTION** button while you press the **VIBRAPHONE** button to set the MIDI Transmit/Receive Channel.

1. While the **VIBRAPHONE** button's indicator is dark, the transmission and reception channels will be set to the same channel. The Transmit channel alone can be set while the **VIBRAPHONE** button's indicator is blinking; whereas the Receive channel alone can be set while the **VIBRAPHONE** button's indicator is lit.



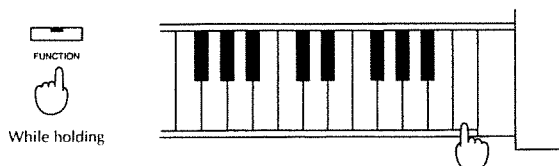
2. With the **FUNCTION** button still depressed, press the key which corresponds to the desired MIDI channel. (See illustration below.)



## Omni On/Off

When set to "Omni ON," the HP-1800e will produce sound no matter which channel any performance data is received on. This is convenient for hearing the performance data on all channels at the same time.

To set the unit to Omni ON, hold down the **FUNCTION** button and press the key at the right end of the keyboard (the highest key). At the same time, both the transmission and reception channels are automatically set to channel 1.

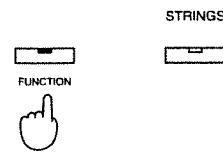


\* Thereafter, the unit will be placed back into the Omni OFF mode when a specific setting for the Receive channel is made.

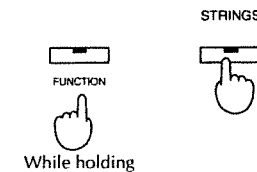
## Local On/Off

If you intend to record into a sequencer, set it so its "Soft Thru" function is ON. At the same time, set the piano's Local setting to OFF:

1. Press **FUNCTION** (the **STRINGS** button indicator should be dark). (When this indicator is dark, it means that the unit is set to Local ON.)



2. With the **FUNCTION** button still depressed, press the **STRINGS** button, and confirm that its indicator has lit. (When this indicator is lit, the unit is set to Local OFF.)



\* If the HP-1800 is set to "Local ON" while connected to a sequencer set with its "Soft Thru" function "ON," the same notes will be produced twice. This is because the locally produced keyboard notes first sound internally, and then are sounded a second time when the note messages (after having been sent out the HP-1800e's MIDI OUT, and been routed through the sequencer) have arrived back again at the HP-1800e's MIDI IN. The resulting sound might seem quite unnatural.

\* When the Local feature is set at "Off," the sound source of the instrument will be disengaged from the keyboard. As a result, only the musical information that has traveled through the sequencer and has arrived back again will cause the instrument to sound.

\* Some sequencers, such as the MT-200, automatically send out a "Local Off" message at power up. There are also sequencers (such as the PR-1) which are ordinarily used while set to Soft Thru Off, so the instrument being used can be left set at Local On.

\* This piano will always be set at "Local ON" whenever its power is turned on.

\* Whenever there are no cables connected to this instrument's MIDI connectors, it will always be at "Local ON."

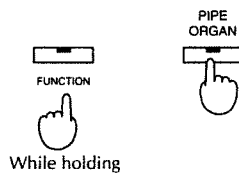
## The Multi-Timbral Mode

When the Multi-Timbral mode is ON, MIDI data arriving on several channels can be received. This allows you to simultaneously play several of the piano's internal sounds.

- When the Multi-Timbral Mode is OFF  
Data that arrives on the specified Receive channel (see page 11) is received and used to play the currently selected Voice.
- When the Multi-Timbral Mode is ON  
Of any MIDI data that arrives, that which arrives on channels 1, 11, 12, 13, 14 and 15 is received. Data on all other channels is ignored.  
The Voice that is used to play the notes will be determined by the Program Change message that is received on the relevant channel. The correspondence between Program Change Numbers and Voices is shown on page 13.

While holding down the **FUNCTION** button, press the **PIPE ORGAN** button to turn the Multi-Timbral Mode ON or OFF.

With the indicator lit, it is ON.



## How Various Types of Messages Function While the Multi-Timbral Mode is ON

- **Pedal Messages**  
Damper, sostenuto and soft pedal messages function independently for any of these channels: 1, 11, 12, 13, 14 or 15.
- **Volume Messages**  
Volume messages control the volume, and function independently for any of these channels: 1, 11, 12, 13, 14 or 15. Such messages, however, have no effect on what is played on this instrument's keyboard.  
The actual volume obtained is determined by both the value of the Volume message, and the position of the Volume knob on this instrument. When a Volume message calls for the maximum value, the actual volume produced will directly reflect the position of the Volume knob.
- **Chorus On/Off Messages**  
Chorus On/Off messages affect independently for each channel 1, 11, 12, 13, 14 or 15.
- **Reverb On/Off Messages**  
Reverb On/Off messages affect all Voices equally, regardless of whether they are received on channel 1, 11, 12, 13, 14 or 15.

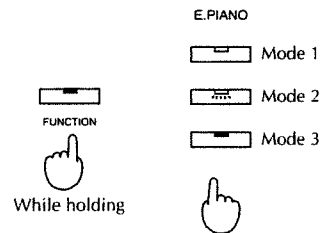
\* When the Multi-Timbral Mode is "On," the unit will always be at "Omni OFF."

## Selecting the Transmission/Reception Mode

Three Transmission/Reception Modes have been provided to allow you to select the mode which best matches your needs.

\* **Note and Pedal messages are received/transmitted in every mode.**

Hold down the **FUNCTION** button while you press the **E.PIANO** button to set the Transmit/Receive mode. When the **E.PIANO** button's indicator is dark, you are in Mode 1. When the **E.PIANO** button's indicator is blinking, you are in Mode 2. When the **E.PIANO** button's indicator is lit, you are in Mode 3.



\* **When power is turned on, the unit will always be at the Mode 1 setting.**

Mode	I	II	III
MIDI Messages	TX RX	TX RX	TX RX
Note Messages	Yes	Yes	Yes
Program Change Messages *	Yes	Yes	No
Control Change Messages			
Volume (7)	No	Yes	No
Damper (64)	Yes	Yes	Yes
Sostenuto (66)	Yes	Yes	Yes
Soft (67)	Yes	Yes	Yes
Chorus On/Off (93)	No	No	No
Reverb On/Off (91)	No	No	No
Master Tune (RPN)	No	No	No
Roland System Exclusive Messages			
Multi-Timbral Mode	No	Yes	No
Chorus Depth	No	Yes	No
Reverb Depth	No	Yes	No
Brilliance	No	Yes	No

\* **Program Changes will not be sent out when you press a voice button while the unit is in Modes 1 and 2. You will need to use the procedure explained on the next page if you wish to transmit Program Changes while using Modes 1 and 2. Note that while in Mode 3, however, the Program Change corresponding to whatever voice button is pressed will always be transmitted.**

## Transmission/Reception of Program Change Messages

### Transmitting

While holding down the **FUNCTION** button, press the keys corresponding to the Group, Bank, and Number which make up the Program Change message you wish to transmit.

While holding

Press the key that corresponds to the program change number you want

	Number							
Bank	1	2	3	4	5	6	7	8
1	1	2	3	4	5	6	7	8
2	9	10	11	12	13	14	15	16
3	17	18	19	20	21	22	23	24
4	25	26	27	28	29	30	31	32
5	33	34	35	36	37	38	39	40
6	41	42	43	44	45	46	47	48
7	49	50	51	52	53	54	55	56
8	57	58	59	60	61	62	63	64

	Number							
Bank	1	2	3	4	5	6	7	8
1	65	66	67	68	69	70	71	72
2	73	74	75	76	77	78	79	80
3	81	82	83	84	85	86	87	88
4	89	90	91	92	93	94	95	96
5	97	98	99	100	101	102	103	104
6	105	106	107	108	109	110	111	112
7	113	114	115	116	117	118	119	120
8	121	122	123	124	125	126	127	128

\* In the Mode 3 Transmission/Reception mode, the appropriate Program Change message will be transmitted whenever you press a Voice button.

1 PIANO	13 PIANO + VIBRAPHONE	32 HARPSICHORD + STRINGS
3 HARPSICHORD	14 PIANO + E.PIANO	46 VIBRAPHONE + E.PIANO
5 VIBRAPHONE	15 PIANO + PIPEORGAN	47 VIBRAPHONE + PIPEORGAN
6 E.PIANO	16 PIANO + STRINGS	48 VIBRAPHONE + STRINGS
7 PIPEORGAN	29 HARPSICHORD + VIBRAPHONE	55 E.PIANO + PIPEORGAN
8 STRINGS	30 HARPSICHORD + E.PIANO	56 E.PIANO + STRINGS
11 PIANO + HARPSICHORD	31 HARPSICHORD + PIPEORGAN	64 PIPEORGAN + STRINGS

### Receiving

When a Program Change message is received, a change is made to the correspondingly numbered Voice, as shown below.

1 PIANO	13 PIANO + VIBRAPHONE	32 HARPSICHORD + STRINGS
3 HARPSICHORD	14 PIANO + E.PIANO	46 VIBRAPHONE + E.PIANO
5 VIBRAPHONE	15 PIANO + PIPEORGAN	47 VIBRAPHONE + PIPEORGAN
6 E.PIANO	16 PIANO + STRINGS	48 VIBRAPHONE + STRINGS
7 PIPEORGAN	29 HARPSICHORD + VIBRAPHONE	55 E.PIANO + PIPEORGAN
8 STRINGS	30 HARPSICHORD + E.PIANO	56 E.PIANO + STRINGS
11 PIANO + HARPSICHORD	31 HARPSICHORD + PIPEORGAN	64 PIPEORGAN + STRINGS

\* Program Changes except those mentioned above will be ignored.

## Troubleshooting

Whenever you suspect that the instrument is not performing as it should, please consult the following information.

- Q.** No sound heard from speakers.
- A.**
- Have you checked to make sure you don't have the volume set at "MIN"?
  - Do you possibly have headphones connected?
  - If using other connected MIDI devices, have you made sure the power is ON for all such devices?
  - If in the Multi-Timbral mode, do you have the Transmit channel of the connected MIDI device set to something other than 1, 11, 12, 13, 14, or 15 ?
  - Could you have MIDI cables connected to the unit while it is also set to "Local OFF"?
- Q.** The damper effect is constantly applied to notes played (they continue sounding longer than normal). Or, the damper effect cannot be obtained at all.
- A.** Have you checked to make sure the cable from the stand is connected properly to the piano?  
Refer to "Assembling the KS-1800 Stand for the HP-1800," page 5.
- Q.** Notes played on the keyboard are too high (or low) in pitch.
- A.**
- Have you checked to make sure that key transposition is not in effect? (If Key Transpose has been set, the indicator on the FUNCTION button will be lit.)  
To exit the transposed state, press the FUNCTION button. (Its indicator should be out.)
  - Do you have the Master Tuning set appropriately?
- Q.** Data that was in the recorder has disappeared.
- A.**
- The performance data that you record into the recorder will be erased approx. 8 hours after power is turned off.  
Regrettably, there is no way to restore such data once it has been erased. If you need a more permanent form of storage for your songs, you will need to use a sequencer (eg., Roland MT-200) and store songs on floppy disks.
  - Have you possibly pressed the PLAY and REC buttons at the same time?
- Q.** The pitch of this unit differs from that of some other unit being sounded simultaneously.
- A.** Check to make sure that the Tuning knob on the rear of the unit hasn't been inadvertently moved.  
Adjust the tuning knob until the piano's pitch matches that of the external units you are using.
- Q.** Operations you perform using the panel buttons (Chorus/Reverb/Voice selections) cannot be stored into a sequencer.
- A.** Have you made sure you have the Transmission/Reception Mode set to Mode 3? Note that each time power is turned on, the unit will by default be in Mode 1. In order to record operations you perform using the panel buttons, the piano must be set to Mode 3.

## Specifications HP-1800e

<b>Keyboard</b>	88 keys (weighted counter-lever action)	<b>Pedals</b>	Damper, Soft, Sostenuto
<b>Sound Source</b>	Advanced SA Process	<b>Speakers</b>	16 cm X 2
<b>Maximum Polyphony</b>	28 voices	<b>Rated Power Output</b>	20 W X 2
<b>Tones</b>	Piano	<b>Finish</b>	Simulated Rosewood
	Harpsichord	<b>Power Consumption</b>	50 W (117V), 45 W (230, 240V)
	Vibraphone	<b>Dimensions :Piano</b>	1419 (W) X 456 (D) X 192 (H) mm
	Electric Piano	<b>:Stand</b>	1419 (W) X 456 (D) X 638 (H) mm
	Pipe Organ		55-7/8 (W)X 18 (W) X 25-1/8 (H) inches
	Strings	<b>:Total</b>	1419 (W) X 456 (D) X 830 (H) mm
<b>Effects</b>	Chorus (6 levels)		55-7/8(W)X18(D)X32-11/16(H)inches
	Reverb (6 levels)	<b>Weight :Piano</b>	43.5kg
<b>Touch Control</b>	Light		95 lbs. 15 oz.
	Medium	<b>:Stand</b>	14.7kg
	Heavy		32 lbs. 7 oz.
<b>Recorder</b>	1 track (approx. 2000 notes)	<b>:Total</b>	58.2kg
<b>Controls</b>	Volume, Brilliance, Master Tune, Key Transpose		128 lbs. 5 oz.
<b>Connectors</b>	Output Jacks (Stereo) Input Jacks (Stereo/Mono) Pedal Jacks MIDI IN Connector MIDI OUT Connector Headphone Jack	<b>Accessories</b>	Owner's Manual, Power Cable, Keyboard Stand (KS-1800e)

\* In the interest of product improvement, the specifications of this unit are subject to change without prior notice.

# MIDI Implementation Chart

Function***		Transmitted	Recognized	Remarks
<b>Basic Channel</b>	Default Changed	1 1-16	1 1-16, *4 (1,11,12,13,14,15)	
<b>Mode</b>	Default Messages Altered	Mode 3 OMNI OFF, POLY *****	Mode 3 *5 *3	*2
<b>Note Number</b>	True Voice	15-113 *****	0-127 15-113	
<b>Velocity</b>	Note ON Note OFF	o o 8n v=1-127	o o	
<b>After Touch</b>	Key's Ch's	x x	x x	
<b>Pitch Bend</b>		x	x	
<b>Control Change</b>		6, 38 7 64 66 67 91 93  100, 101 121	o o o o o x *1 x *1  o o	Data entry Volume Hold 1 Sostenuto Soft Reverb Chorus  RPN LSB, MSB  Reset all controllers
<b>Prog Change</b>	True #	o *****	o *1 0...63	
<b>System Exclusive</b>		o	o	
<b>System Common</b>	Song Pos Song Sel True	x x x	x x x	
<b>System Real Time</b>	Clock Commands	x x	x x	
<b>AUX Messages</b>	Local ON/OFF All Notes OFF Active Sense Reset	x x o x	o o (123-127) o x	
<b>Notes</b>		*1 Able to choose between "o" and "x". *2 When power on, OMNI OFF and POLY are sent through the basic channel. *3 When the Multi-Timbral Mode is OFF, recognized as Mode 3 even if receiving in MONO mode (M=1). Recognized as Mode 1 even if receiving in MONO mode (M≠1). *4 When the Multi-Timbral Mode is ON. *5 Set to "x" when the Multi-Timbral Mode is ON and set to "o" when the Multi-Timbral Mode is OFF.		

Mode 1 : OMNI ON, POLY  
Mode 3 : OMNI OFF, POLY

Mode 2 : OMNI ON, MONO  
Mode 4 : OMNI OFF, MONO

o : Yes  
x : No

**U. S. A.**

**Roland Corporation US**  
7200 Dominion Circle  
Los Angeles, CA. 90040-  
3696, U. S. A.  
TEL: (213) 685 5141

**CANADA**

**Roland Canada Music Ltd.**  
**(Head Office)**  
5480 Parkwood Way  
Richmond B. C., V6V 2M4  
CANADA  
TEL: (604) 270 6626

**Roland Canada Music Ltd.**

**(Montreal Office)**  
9425 Transcanadienne  
Service Rd. N., St Laurent,  
Quebec H4S 1V3, CANADA  
TEL: (514) 335 2009

**Roland Canada Music Ltd.**

**(Toronto Office)**  
346 Watline Avenue,  
Mississauga, Ontario L4Z  
1X2, CANADA  
TEL: (416) 890 6488

**AUSTRALIA**

**Roland Corporation Australia Pty. Ltd.**  
38 Campbell Avenue  
Dee Why West. NSW 2099  
AUSTRALIA  
TEL: (02) 982 8266

**NEW ZEALAND**

**Roland Corporation (NZ) Ltd.**  
97 Mt. Eden Road, Mt. Eden,  
Auckland 3, NEW ZEALAND  
TEL: (09) 3098 715

**UNITED KINGDOM**

**Roland (U.K.) Ltd.**  
Rye Close Ancells Business  
Park Fleet, Hampshire GU13  
8UY, UNITED KINGDOM  
TEL: (0252) 816181

**Roland (U.K.) Ltd., Swansea Office**

Atlantic Close, Swansea  
Enterprise Park, Swansea,  
West Glamorgan SA79FJ,  
UNITED KINGDOM  
TEL: (0792) 700 139

**IRELAND**

**The Dublin Service Centre Audio Maintenance Limited**  
11 Brunswick Place Dublin 2  
Republic of Ireland  
TEL: (01) 677322

**ITALY**

**Roland Italy S. p. A.**  
Viale delle Industrie 8 20020  
ARESE MILANO ITALY  
TEL: (02) 93581311

**SPAIN**

**Roland Electronics de España, S. A.**  
Calle Bolivia 239 08020  
Barcelona, SPAIN  
TEL: (93) 308 1000

**GERMANY**

**Roland Elektronische Musikinstrumente Handelsgesellschaft mbH.**  
Oststrasse 96, 22844  
Norderstedt, GERMANY  
TEL: (040) 52 60090

**FRANCE**

**Guillard Musiques Roland**  
ZAC de Rosarge Les Echets  
01700  
MIRIBEL FRANCE  
TEL: (72) 26 5060

**Guillard Musiques Roland (Paris Office)**

1923 rue Léon Geoffroy  
94400 VITRY-SUR-SEINE  
FRANCE  
TEL: (1) 4680 86 62

**BELGIUM/HOLLAND/LUXEMBOURG**

**Roland Benelux N. V.**  
Houtstraat 1 B-2260 Oevel-  
Westerlo BELGIUM  
TEL: (014) 575811

**DENMARK**

**Roland Scandinavia A/S**  
Langebrogade 6 Box 1937  
DK-1023 Copenhagen K.  
DENMARK  
TEL: 31 95 31 11

**SWEDEN**

**Roland Scandinavia A/S**  
Danvik Center 28 A, 2 tr.  
S-131 30 Nacka SWEDEN  
TEL: (08) 702 0020

**NORWAY**

**Roland Scandinavia Avd. Kontor Norge**  
Lilleakerveien 2 Postboks 95  
Lilleaker N-0216 Oslo 2  
NORWAY  
TEL: (02) 73 0074

**FINLAND**

**Fazer Musik Inc.**  
Länsituulentie POB 169,  
SF-02101 Espoo FINLAND  
TEL: (00) 43 5011

**SWITZERLAND**

**Roland (Switzerland) AG Musitronic AG**  
Gerberstrasse 5, CH-4410  
Liestal, SWITZERLAND  
TEL: (061) 921 1615

**AUSTRIA**

**E. Dematte & Co.**  
Neu-Rum Siemens-Strasse 4  
A-6040 Innsbruck P.O.Box  
83  
AUSTRIA  
TEL: (0512) 26 44 260

**GREECE**

**V. Dimitriadis & Co. Ltd.**  
20, Alexandras Avn., GR  
10682 Athens, GREECE  
TEL: (01) 8232415

**PORTUGAL**

**Caius - Tecnologias Audio e Musica, Lda.**  
Rue de Catarina 131  
4000 Porto, PORTUGAL  
TEL: (02) 38 4456

**HUNGARY**

**Intermusica Ltd.**  
Warehouse Area 'DEPO'  
Torokbalint, Budapest  
HUNGARY  
TEL: (1) 1868905

**ISRAEL**

**D.J.A. International Ltd.**  
Twin Towers, 33 Jabtinsky St.  
Room 211, Ramat Gan 52511  
ISRAEL  
TEL: (03) 751 8585

**CYPRUS**

**Radex Sound Equipment Ltd.**  
17 Diagorou St., P.O.Box  
2046, Nicosia CYPRUS  
TEL: (2) 453 426  
(2) 466 423

**U.A.E**

**Zak Electronics & Musical Instruments Co.**  
P.O. Box 8050  
DUBAI, U.A.E  
TEL: 360715

**KUWAIT**

**Easa Husain Al-Yousifi**  
P.O. Box 126 Safat 13002  
KUWAIT  
TEL: 5719499

**LEBANON**

**A. Chahine & Fils**  
P.O. Box 16-5857  
Beirut, LEBANON  
TEL: (01) 335799

**TURKEY**

**Barkat Sanayi ve Ticaret**  
Siraselviler Cad. 86/6 Taksim  
Istanbul, TURKEY  
TEL: (0212) 2499324

**EGYPT**

**Al Fanny Trading Office**  
9, Ebn Hagar Ai Askalany  
Street, Ard El Golf,  
Heliopolis, Cairo, 11341  
EGYPT  
TEL: (02) 4171828  
(02) 4185531

**QATAR**

**Badie Studio & Stores**  
P.O.Box 62,  
DOHA Qatar  
TEL: 423554

**SYRIA**

**Technical Light & Sound Center**  
Khaled Ebn Al Walid St.  
P.O.Box 13520  
Damascus - Syria  
TEL: (11) 2235 384

**BAHRAIN**

**Moon Stores**  
Bad Al Bahrain Road,  
P.O.Box 20077  
State of Bahrain  
TEL: 211 005

**BRAZIL**

**Roland Brasil Ltda.**  
R. Coronel Octaviano da  
Silveira 203 05522-010  
Sao Paulo BRAZIL  
TEL: (11) 843 9377

**MEXICO**

**Casa Veerkamp, s.a. de c.v.**  
Mesones No. 21 Col. Centro  
MEXICO D.F. 06080  
TEL: (905) 709 3716

**La Casa Wagner de Guadalajara s.a. de c.v.**  
Av. Corona No. 202 S.J.  
C.P.44100 Guadalajara,  
Jalisco MEXICO  
TEL: (36) 13 1414

**VENEZUELA**

**Musicland Digital C.A.**  
Av. Francisco De Miranda,  
Centro Parque de Cristal,  
Nivel C2 Local 20 Caracas  
VENEZUELA  
TEL: (2) 285 9218

**PANAMA**

**Productos Superiores, S.A.**  
Apartado 655 - Panama 1  
REP. DE PANAMA  
TEL: 26 3322

**ARGENTINA**

**Instrumentos Musicales S.A.**  
Florida 638  
(1005) Buenos Aires  
ARGENTINA  
TEL: (1) 394 4029

**HONG KONG**

**Tom Lee Music Co., Ltd. Service Division**  
22-32 Pun Shan Street, Tsuen  
Wan, New Territories,  
HONG KONG  
TEL: 415 0911

**KOREA**

**Cosmos Corporation Service Station**  
261 2nd Floor Nak-Won  
Arcade Jong-Ro ku, Seoul,  
KOREA  
TEL: (02) 742 8844

**SINGAPORE**

**Swee Lee Company**  
BLOCK 231,  
Bain Street #03-23  
Bras Basah Complex,  
Singapore 0718  
TEL: 3367886

**PHILIPPINES**

**G.A. Yupango & Co. Inc.**  
339 Gil J. Puyat Avenue  
Makati, Metro Manila 1200,  
PHILIPPINES  
TEL: (02) 817 0013

**THAILAND**

**Theera Music Co., Ltd.**  
330 Verng Nakorn Kasem,  
Soi 2, Bangkok 10100,  
THAILAND  
TEL: (02) 2248821

**MALAYSIA**

**Bentley Music SDN BHD**  
No.142, Jalan Bukit Bintang  
55100 Kuala Lumpur,  
MALAYSIA  
TEL: (03) 2443333

**INDONESIA**

**PT CITRARAMA BELANTIKA**  
Kompleks Perkantoran Duta  
Merlin Blok E No.6—7  
Jl. Gajah Mada No.3—5,  
Jakarta 10130,  
INDONESIA  
TEL: (021) 3850073

**TAIWAN**

**Siruba Enterprise (Taiwan) Co., LTD.**  
Room. 5, 9fl. No. 112 Chung  
Shan N.Road Sec.2 Taipei,  
TAIWAN, R.O.C.  
TEL: (02) 571 5860

**SOUTH AFRICA**

**That Other Music Shop (PTY) Ltd.**  
11 Melle Street (Cnr Melle  
and Juta Street)  
Braamfontein 2001  
Republic of South Africa  
TEL: (011) 403 4105

**Paul Bothner (PTY) Ltd.**

17 Werdmuller Centre  
Claremont 7700  
Republic of South Africa  
TEL: (021) 64 4030



For Germany

## Bescheinigung des Herstellers/Importeurs

Hiermit wird bescheinigt, daß der/die/das

Roland Digital Piano HP1800e

(Gerät, Typ, Bezeichnung)

in Übereinstimmung mit den Bestimmungen der BMPT-AmtsblVfg 243/1991 funk-entstört ist. Der vorschriftsmäßige Betrieb mancher Geräte (z. B. Meßsender) kann allerdings gewissen Einschränkungen unterliegen. Beachten Sie deshalb die Hinweise in der Bedienungsanleitung.

Dem Zentralamt für Zulassungen im Fernmeldewesen wurde das Inverkehrbringen dieses Gerätes angezeigt und die Berechtigung zur Überprüfung der Serie auf die Einhaltung der Bestimmungen eingeräumt.

Roland Corporation

4-16 Dojimahama 1-Chome Kita-ku Osaka 530 Japan

(Name und Anschrift des Herstellers/Importeurs)

For the USA

## FEDERAL COMMUNICATIONS COMMISSION RADIO FREQUENCY INTERFERENCE STATEMENT

This equipment has been tested and found to comply with the limits for a Class B digital device, pursuant to Part 15 of the FCC Rules. These limits are designed to provide reasonable protection against harmful interference in a residential installation. This equipment generates, uses, and can radiate radio frequency energy and, if not installed and used in accordance with the instructions, may cause harmful interference to radio communications. However, there is no guarantee that interference will not occur in a particular installation. If this equipment does cause harmful interference to radio or television reception, which can be determined by turning the equipment off and on, the user is encouraged to try to correct the interference by one or more of the following measures:

- Reorient or relocate the receiving antenna.
- Increase the separation between the equipment and receiver.
- Connect the equipment into an outlet on a circuit different from that to which the receiver is connected.
- Consult the dealer or an experienced radio/TV technician for help.

Unauthorized changes or modification to this system can void the users authority to operate this equipment. This equipment requires shielded interface cables in order to meet FCC class B Limit.

For Canada

### CLASS B

### NOTICE

This digital apparatus does not exceed the Class B limits for radio noise emissions set out in the Radio Interference Regulations of the Canadian Department of Communications.

### CLASS B

### AVIS

Cet appareil numérique ne dépasse pas les limites de la classe B au niveau des émissions de bruits radioélectriques fixés dans le Règlement des signaux parasites par le ministère canadien des Communications.

**Roland**<sup>®</sup>

**K6018155**

UPC K6018155



10901

**Roland**<sup>®</sup>

1800e

RES 053-94 Printed in Italy by Anichini Grafiche srl - Ancona 94-12-HP1800e-OM-E-IT-SP-F