

BOSS

CE-2 **Chorus** **INSTRUCTIONS**

The CE-2 effect unit is a new, compact version of the famous BOSS CE-1 chorus ensemble, which has become one of the world's most popular units of its type on the market. Two separate controls are provided for independent variation of RATE and DEPTH to expand the creation possibilities. This advanced unit also has a fine S/N [S/N 90dB or more (IHF-A)] for lower noise operation. An LED lights to tell you at a glance when effect is on.



- Please read these instructions carefully for proper operation of the BOSS CE-2.

RADIO AND TELEVISION INTERFERENCE

Warning – This equipment has been verified to comply with the limits for a Class B computing device, pursuant to Subpart J, of Part 15, of FCC rules. Operation with non-certified or non-verified equipment is likely to result in interference to radio and TV reception.

The equipment described in this manual generates and uses radio-frequency energy. If it is not installed and used properly, that is, in strict accordance with our instructions, it may cause interference with radio and television reception.

This equipment has been tested and found to comply with the limits for a Class B computing device in accordance with the specifications in Subpart J, of Part 15, of FCC Rules. These rules are designed to provide reasonable protection against such a interference in a residential installation.

However, there is no guarantee that the interference will not occur in a particular installation. If this equipment does cause interference to radio or television reception, which can be determined by turning the equipment on and off, the user is encouraged to try to correct the interference by the following measure:

- Disconnect other devices and their input/output cables one at a time. If the interference stops, it is caused by either the other device or its I/O cable.

These devices usually require Roland designated shielded I/O cables. For Roland devices, you can obtain the proper shielded cable from your dealer. For non Roland devices, contact the manufacturer or dealer for assistance.

If your equipment does cause interference to radio or television reception, you can try to correct the interference by using one or more of the following measures:

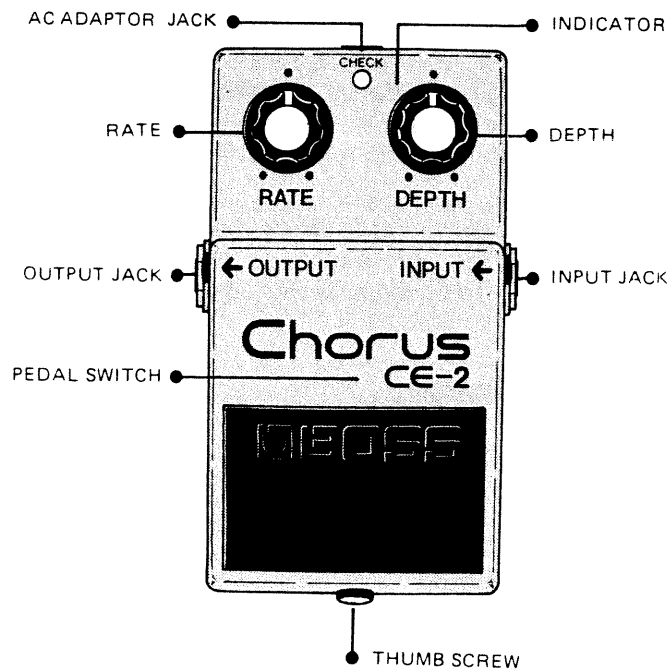
- Turn the TV or radio antenna until the interference stops.
- Move the equipment to one side or the other of the TV or radio.
- Move the equipment farther away from the TV or radio.
- Plug the equipment into an outlet that is on a different circuit than the TV or radio. (That is, make certain the equipment and the radio or television set are on circuits controlled by different circuit breakers or fuses.)
- Consider installing a rooftop television antenna with coaxial cable lead-in between the antenna and TV.

If necessary, you should consult your dealer or an experienced radio/television technician for additional suggestions. You may find helpful the following booklet prepared by the Federal Communications Commission:

“How to Identify and Resolve Radio-TV Interference Problems”

This booklet is available from the U.S. Government Printing Office, Washington, D.C., 20402, Stock No. 004-000-00345-4.

NAMES AND FUNCTIONS



RATE

This dial adjusts the speed of chorus effects. Turn clockwise to increase speed and deepen the effect. Turn counterclockwise to slow the movement and decrease the depth.

DEPTH

This dial adjusts the depth of chorus effects.

Turn clockwise to increase depth and counterclockwise to decrease.

INPUT JACK

The unit is powered-on by plug-in to the input jack. Keep the plug out from the jack when not in use.

OUTPUT JACK

The BF-2's low impedance output to the amplifiers is offered to ensure low noise and hum.

AC ADAPTOR JACK

The BOSS AC Adaptor is connected to the AC ADAPTOR jack when battery operation is not necessarily the most desirable situation.

INDICATOR

By the LED indicator you can see whether the unit is on or off, even in the darkest on-stage situation. This indicator also allows you to check the battery. When the time comes to replace the battery, the indicator fails to light or becomes dimmer.

PEDAL SWITCH

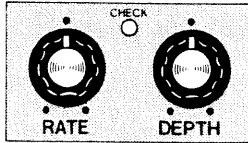
In our unique FET switching system there are no mechanical contacts in the signal system so it won't make an audible click, and it can't make a pop. The switching totally electronically and therefore, cleanly.

THUMB SCREW

The battery sits in a special compartment under the same footswitch plate that activates the silent switch. When the time comes to replace the battery, you don't even need tools.

* Do not remove off the screw from the unit.

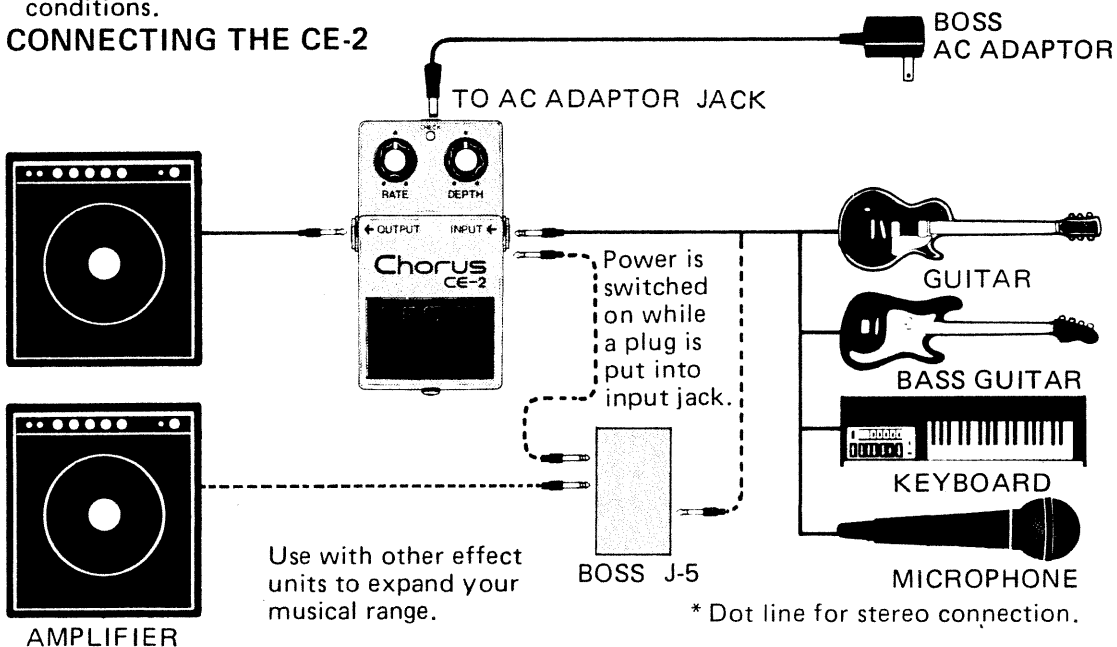
OPERATING THE CE-2

-  After connecting all cords required, set all knobs on the panel as illustrated.
- Depress the pedal switch. Check lamp lights to indicate "EFFECT ON" and extinguishes to indicate "EFFECT OFF". *This check lamp is also used to check battery. If lamp fails to light or becomes dim, the battery should be replaced.
- Turn RATE dial to the desired position.
- Adjust the effect depth by turning the DEPTH dial.
*Turning the RATE dial clockwise increases speed and deepens the effect. Therefore, use DEPTH dial to adjust depth to the desired level.

BEFORE USING THE CE-2

- When operating the CE-2 from the AC line, use the BOSS AC Adaptor.
- Avoid using the CE-2 in very dusty locations or under high temperature or humidity conditions.

CONNECTING THE CE-2

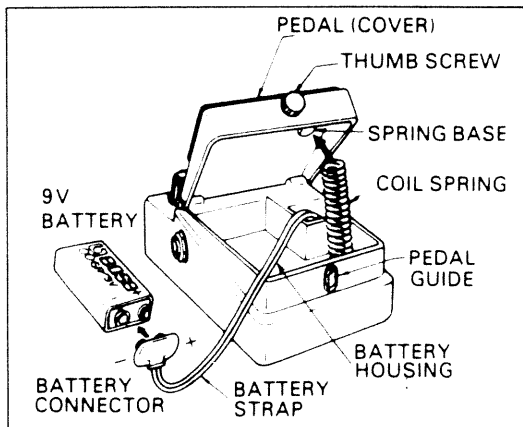


Unplug this unit when it is not to be used. Be sure to take off connecting plug from Input jack.

CAUTIONS FOR REPLACING AND HANDLING BATTERY

REPLACING BATTERY USE 9-VOLT BATTERY.

- 1 Loosen the screw of pedal to open it and pull battery out.
- 2 Replace the battery with a fresh one and put it into position.
- 3 Set coil spring onto the projection on the rear of the pedal and shut the cover (pedal). Finally, insert the screw into the pedal guide and tighten it.
At this time, be careful not to catch the battery strap in the cover or coil spring.



Bescheinigung des Herstellers /Importeurs

Hiermit wird bescheinigt, daß der/die/das

CHORUS CE-2

(Gerat. Typ. Bezeichnung)

in Übereinstimmung mit den Bestimmungen der

Amtsbl. Vfg 1046 / 1984

(Amtsblattverfügung)

funk-entstört ist.

Der Deutschen Bundespost wurde das Inverkehrbringen dieses Gerates angezeigt und die Berechtigung zur Überprüfung der Serie auf Einhaltung der Bestimmungen eingeräumt.

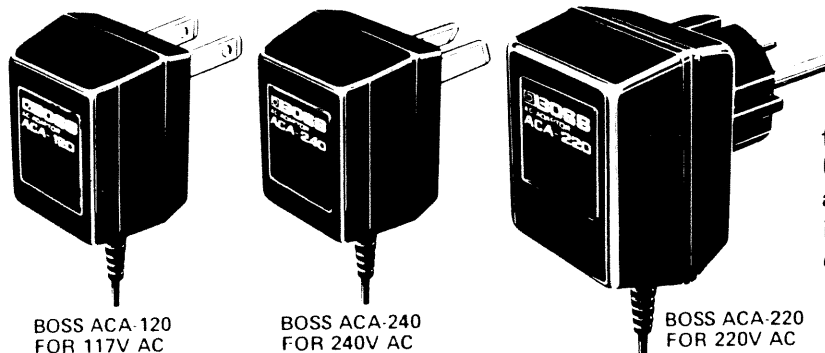
Roland Corporation Osaka / Japan

Name des Herstellers/Importeurs

CAUTIONS

- When you plan not to use the CE-2 for a long period, remove the battery to prevent current leakage and leaking of battery acid.
- If battery voltage drops, effect becomes inferior or no sound is produced. To prevent this, replace the battery a little earlier.
- Be sure to keep the battery snapped by the connector in the housing even when using the AC adaptor.
 - * Even if AC Adaptor cord comes out during performance, operation immediately changes to battery, causing no trouble in continued performance.
- Power is switched on when the INPUT jack is being used. When the unit is not being used, disconnect the input in order to conserve battery life.

AC ADAPTOR BOSS ACA SERIES (OPTION)



Use BOSS AC adaptor for AC operation. Use of different adaptors may cause improper operation or no sound.

SPECIFICATIONS

Power	Battery 9V (1), AC Adaptor
Current requirements	9mA at 9V
Control	Rate, Depth
Others	Normal/Effect Changeover Switch, Effect Indicator (also for confirmation of Battery Check)
Jack	Input, Output, AC Adaptor
S/N	90dB or more (IHF-A)
Maximum allowable input	0dBm (100Hz), -10dBm (1kHz)
Input impedance	470k Ω
Output load impedance	10k Ω or more
Dimensions	70(W) x 55(H) x 125(D)mm 2-3/4"(W)x2-1/4"(H)x5"(D)
Weight	400g (14 oz)

* Specifications are subject to change without notice.

For Canada

CLASS B

NOTICE

This digital apparatus does not exceed the Class B limits for radio noise emissions set out in the Radio Interference Regulations of the Canadian Department of Communications.

CLASSE B

AVIS

Cet appareil numérique ne dépasse pas les limites de la classe B au niveau des émissions de bruits radioélectriques fixés dans le Règlement des signaux parasites par le ministère canadien des Communications.



Products of Roland

Printed in Taiwan Apr. '90 H-3

 Roland®

10401

UPC 10401



10981

 **BOSS**