

BOSS

BF-2 **Flanger** **INSTRUCTIONS**

This compact flanger is equipped with four controls for a more versatile range of flanging effects. These controls allow independent selection of manual (delay time), depth, rate and resonance. A new, low-voltage BBD provides more stable operation, while special provisions have been made to reduce noise and improve sound quality. An LED lights to tell you at a glance when effect is on.



- Please read these instructions carefully for proper operation of the BOSS BF-2.

RADIO AND TELEVISION INTERFERENCE

Warning – This equipment has been verified to comply with the limits for a Class B computing device, pursuant to Subpart J, of Part 15, of FCC rules. Operation with non-certified or non-verified equipment is likely to result in interference to radio and TV reception.

E

The equipment described in this manual generates and uses radio-frequency energy. If it is not installed and used properly, that is, in strict accordance with our instructions, it may cause interference with radio and television reception.

This equipment has been tested and found to comply with the limits for a Class B computing device in accordance with the specifications in Subpart J, of Part 15, of FCC Rules. These rules are designed to provide reasonable protection against such a interference in a residential installation. However, there is no guarantee that the interference will not occur in a particular installation. If this equipment does cause interference to radio or television reception, which can be determined by turning the equipment on and off, the user is encouraged to try to correct the interference by the following measure:

- Disconnect other devices and their input/output cables one at a time. If the interference stops, it is caused by either the other device or its I/O cable.

These devices usually require Roland designated shielded I/O cables. For Roland devices, you can obtain the proper shielded cable from your dealer. For non Roland devices, contact the manufacturer or dealer for assistance.

If your equipment does cause interference to radio or television reception, you can try to correct the interference by using one or more of the following measures:

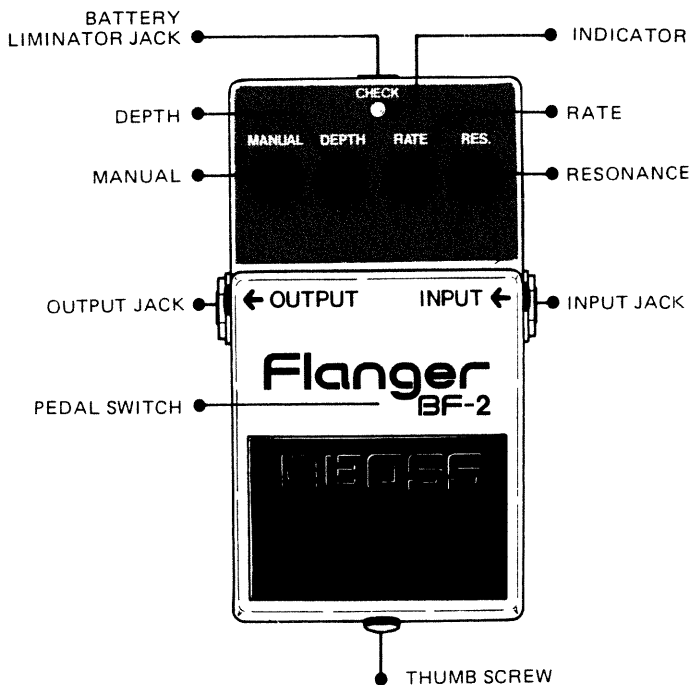
- Turn the TV or radio antenna until the interference stops.
- Move the equipment to one side or the other of the TV or radio.
- Move the equipment farther away from the TV or radio.
- Plug the equipment into an outlet that is on a different circuit than the TV or radio. (That is, make certain the equipment and the radio or television set are on circuits controlled by different circuit breakers or fuses.)
- Consider installing a rooftop television antenna with coaxial cable lead-in between the antenna and TV.

If necessary, you should consult your dealer or an experienced radio/television technician for additional suggestions. You may find helpful the following booklet prepared by the Federal Communications Commission:

“How to Identify and Resolve Radio-TV Interference Problems”

This booklet is available from the U.S. Government Printing Office, Washington, D.C., 20402, Stock No. 004-000-00345-4.

NAMES AND FUNCTIONS



MANUAL

Controls sound delay. Turn clockwise to shorten and counterclockwise to lengthen.

DEPTH

Controls sweep width according to delay time. Turn clockwise to widen and counterclockwise to narrow.

RATE

Controls sweep frequency. Turn clockwise to increase and counterclockwise to decrease.

RESONANCE

Controls feedback level. Turn clockwise to intensify flanging effect and counterclockwise to decrease.

INPUT JACK

The unit is powered-on by plug-in to the input jack. Keep the plug out from the jack when not in use.

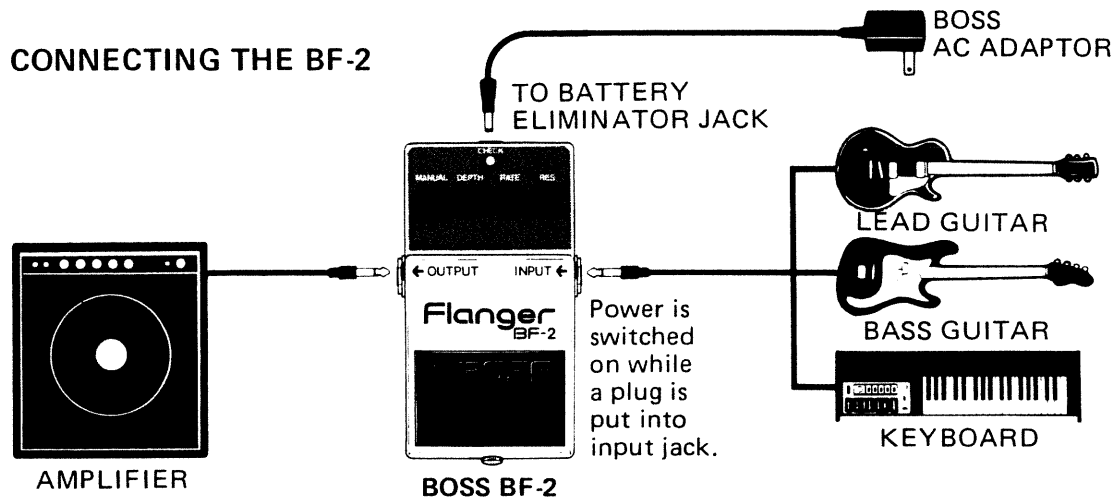
OUTPUT JACK

The BF-2's low impedance output to the amplifiers is offered to ensure low noise and hum.

BEFORE USING THE BF-2

- When operating the BF-2 from the AC line, use the BOSS AC Adaptor.
- Avoid using the BF-2 in very dusty locations or under high temperature or humidity conditions.
- The battery (one Dry Battery, 9V) will last for 5 to 20 hours (manganese) or 15 to 40 hours (alkaline), depending on the conditions. The use of a BOSS ACA-Adaptor and alkaline battery is recommended for a longer time performance.

CONNECTING THE BF-2



Unplug this unit when it is not to be used. Be sure to take off connecting plug from Input jack.

BATTERY ELIMINATOR JACK

The BOSS AC Adaptor is connected to the Battery Eliminator jack when battery operation is not necessarily the most desirable situation.

INDICATOR

By the LED indicator you can see whether the unit is on or off, even in the darkest on-stage situation. This indicator also allows you to check the battery. When the time comes to replace the battery, the indicator fails to light or becomes dimmer.

PEDAL SWITCH

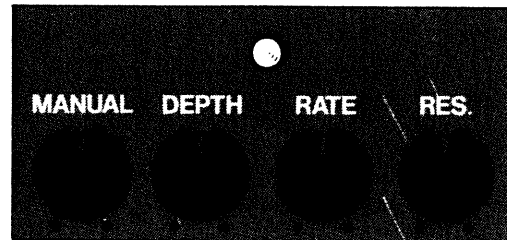
In our unique FET switching system there are no mechanical contacts in the signal system so it won't make an audible click, and it can't make a pop. The switching totally electronically and therefore, cleanly.

THUMB SCREW

The battery sits in a special compartment under the same footswitch plate that activates the silent switch. When the time comes to replace the battery, you don't even need tools.

* Do not remove off the screw from the unit.

OPERATING THE BF-2



After connecting all required cords, set all knobs on the panel as illustrated.

Depress the pedal switch. Check lamp lights to indicate "EFFECT ON" and extinguishes to indicate "EFFECT OFF".

* This check lamp is also used to check battery. If lamp fails to light or becomes dim, the battery should be replaced.

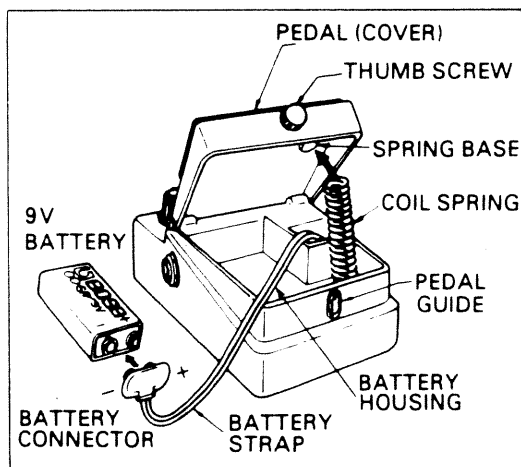
Once the rate control is set, other controls can be varied as desired.

* When depth control is turned completely clockwise, the manual control becomes inoperative.

BATTERY REPLACEMENT AND PRECAUTIONS

BATTERY REPLACEMENT USE 9V BATTERY

- Loosen the screw and open the Pedal.
- Take out the battery from the Battery Housing and pull up the Battery Strap.
- Replace with a new battery.
- Put the Coil Spring to the Spring Base and close the Pedal.
- Firmly tighten the screw.
- * Make sure that the Battery Strap is not caught in the Pedal or Coil Spring.



Bescheinigung des Herstellers /Importeurs

Hiermit wird bescheinigt, daß der/die/das

Roland FLANGER BF-2

(Gerat. Typ. Bezeichnung)

in Übereinstimmung mit den Bestimmungen der

Amtsbl. Vfg 1046 / 1984

(Amtsblattverfugung)

funk-entstört ist.

Der Deutschen Bundespost wurde das Inverkehrbringen dieses Gerätes angezeigt und die Berechtigung zur Überprüfung der Serie auf Einhaltung der Bestimmungen eingeräumt.

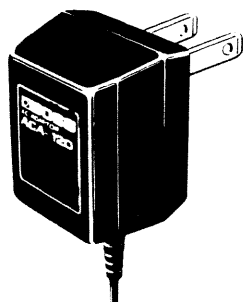
Roland Corporation Osaka / Japan

Name des Herstellers/Importeurs

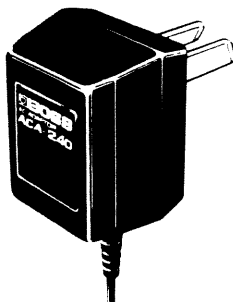
CAUTIONS

- When you plan not to use the BF-2 for a long period, remove the battery to prevent current leakage and leaking of battery acid.
- If battery voltage drops, effect becomes inferior or no sound is produced. To prevent this, replace the battery a little earlier.
- Be sure to keep the battery in the housing even when using the AC adaptor.
- * Even if AC Adaptor cord comes out during performance, operation immediately changes to battery, causing no trouble in continued performance.
- Power is switched on when the input jack is being used. When the unit is not being used, disconnect the input in order to conserve battery life.

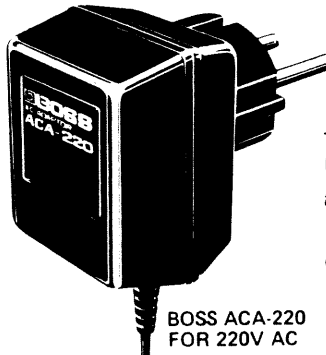
AC ADAPTOR BOSS ACA SERIES (OPTION)



BOSS ACA-120
FOR 117V AC



BOSS ACA-240
FOR 240V AC



BOSS ACA-220
FOR 220V AC

Use BOSS AC adaptor for AC operation. Use of different adaptors may cause improper operation or no sound.

SPECIFICATIONS

Power	Battery 9V (1), AC Adaptor
Current Draw	15mA at 9V
Controls	Manual, Depth, Rate, Resonance
Others	Normal/Effect Changeover Switch, Effect Indicator (also for confirmation of Battery Check).
Jacks	Input, Output, AC Adaptor
Delay Time	1ms ~ 13ms
LFO Speed	100ms ~ 16s
Residual Noise	-95dBm (IHF-A)
Input Impedance	470k Ω
Output Load Impedance	Over 10k Ω
Dimensions	70(W)x55(H)x125(D)mm [2 $\frac{3}{4}$ "(W)x2 $\frac{1}{4}$ "(H)x5"(D)]
Weight	400g (14 oz.)

* Specifications are subject to change without notice.



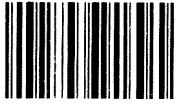
Printed in Japan Jul. '85 E-3

 Roland®

2603064200

UPC

2603064200



10991

 **BOSS**