

# ACOUSTIC CHORUS

## AC-100 GUITAR AMPLIFIER

## OWNER'S MANUAL

We'd like to take a moment to thank you for purchasing the Roland AC-100 Acoustic Chorus guitar amplifier. We hope you'll take the time to thoroughly read through this owner's manual. It will help you fully appreciate all the great features of the AC-100 and help to ensure that the unit provides you with years of trouble-free service.

### Features



---

- The AC-100 is optimally designed for both acoustic and electro-acoustic guitars. The amp includes digital effects that make use of Roland's DSP technology to provide fat choruses and deep reverbs.
- The Chorus effect provides more warmth and creates a greater sense of spaciousness compared with conventional effects thanks to a newly developed technique of sound imaging which separately outputs the various frequency ranges of the sound.
- The AC-100 features a Tri-Amp system that uses three two-way speakers to accurately reproduce the sound of an acoustic guitar.
- The MIC/AUX CHANNEL and GUITAR CHANNEL are each equipped with a dedicated preamp, thereby allowing simultaneous use of a guitar and microphone. This also makes it possible to set up a wide variety of systems that include (for example) a recording device or rhythm machine.
- The GUITAR CHANNEL includes a SHAPE switch that lets you create a wide range of sounds suitable for an acoustic or electric guitar.
- The AC-100 features an Anti-Feedback circuit to eliminate unwanted resonances when using an acoustic guitar.

Before using this unit, carefully read the sections entitled: "IMPORTANT SAFETY INSTRUCTIONS" (p. 2), "USING THE UNIT SAFELY" (p. 3), and "IMPORTANT NOTES" (p. 4). These sections provide important information concerning the proper operation of the unit. Additionally, in order to feel assured that you have gained a good grasp of every feature provided by your new unit, this manual should be read in its entirety. The manual should be saved and kept on hand as a convenient reference.

Copyright © 1996 ROLAND CORPORATION

All rights reserved. No part of this publication may be reproduced in any form without the written permission of ROLAND CORPORATION.

	<b>CAUTION</b> RISK OF ELECTRIC SHOCK DO NOT OPEN	
<b>ATTENTION:</b> RISQUE DE CHOC ELECTRIQUE NE PAS OUVRIIR		
<b>CAUTION:</b> TO REDUCE THE RISK OF ELECTRIC SHOCK, DO NOT REMOVE COVER (OR BACK). NO USER-SERVICEABLE PARTS INSIDE. REFER SERVICING TO QUALIFIED SERVICE PERSONNEL.		



The lightning flash with arrowhead symbol, within an equilateral triangle, is intended to alert the user to the presence of uninsulated "dangerous voltage" within the product's enclosure that may be of sufficient magnitude to constitute a risk of electric shock to persons.



The exclamation point within an equilateral triangle is intended to alert the user to the presence of important operating and maintenance (servicing) instructions in the literature accompanying the product.

INSTRUCTIONS PERTAINING TO A RISK OF FIRE, ELECTRIC SHOCK, OR INJURY TO PERSONS.

## IMPORTANT SAFETY INSTRUCTIONS SAVE THESE INSTRUCTIONS

**WARNING** - When using electric products, basic precautions should always be followed, including the following:

1. Read all the instructions before using the product.
2. Do not use this product near water — for example, near a bathtub, washbowl, kitchen sink, in a wet basement, or near a swimming pool, or the like.
3. This product should be used only with a cart or stand that is recommended by the manufacturer.
4. This product, either alone or in combination with an amplifier and headphones or speakers, may be capable of producing sound levels that could cause permanent hearing loss. Do not operate for a long period of time at a high volume level or at a level that is uncomfortable. If you experience any hearing loss or ringing in the ears, you should consult an audiologist.
5. The product should be located so that its location or position does not interfere with its proper ventilation.
6. The product should be located away from heat sources such as radiators, heat registers, or other products that produce heat.
7. The product should be connected to a power supply only of the type described in the operating instructions or as marked on the product.
8. The power-supply cord of the product should be unplugged from the outlet when left unused for a long period of time.
9. Care should be taken so that objects do not fall and liquids are not spilled into the enclosure through openings.
10. The product should be serviced by qualified service personnel when:
  - A. The power-supply cord or the plug has been damaged; or
  - B. Objects have fallen, or liquid has been spilled onto the product; or
  - C. The product has been exposed to rain; or
  - D. The product does not appear to operate normally or exhibits a marked change in performance; or
  - E. The product has been dropped, or the enclosure damaged.
11. Do not attempt to service the product beyond that described in the user-maintenance instructions. All other servicing should be referred to qualified service personnel.

For the USA

### GROUNDING INSTRUCTIONS

This product must be grounded. If it should malfunction or breakdown, grounding provides a path of least resistance for electric current to reduce the risk of electric shock.

This product is equipped with a cord having an equipment-grounding conductor and a grounding plug. The plug must be plugged into an appropriate outlet that is properly installed and grounded in accordance with all local codes and ordinances.

**DANGER:** Improper connection of the equipment-grounding conductor can result in a risk of electric shock. Check with a qualified electrician or serviceman if you are in doubt as to whether the product is properly grounded.

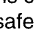
Do not modify the plug provided with the product — if it will not fit the outlet, have a proper outlet installed by a qualified electrician.

For the U.K.

**WARNING:** THIS APPARATUS MUST BE EARTHED

**IMPORTANT:** THE WIRES IN THIS MAINS LEAD ARE COLOURED IN ACCORDANCE WITH THE FOLLOWING CODE.  
GREEN-AND-YELLOW: EARTH, BLUE: NEUTRAL, BROWN: LIVE

As the colours of the wires in the mains lead of this apparatus may not correspond with the coloured markings identifying the terminals in your plug, proceed as follows:

The wire which is coloured GREEN-AND-YELLOW must be connected to the terminal in the plug which is marked by the letter E or by the safety earth symbol  or coloured GREEN or GREEN-AND-YELLOW.

The wire which is coloured BLUE must be connected to the terminal which is marked with the letter N or coloured BLACK.

The wire which is coloured BROWN must be connected to the terminal which is marked with the letter L or coloured RED.

The product which is equipped with a THREE WIRE GROUNDING TYPE LINE PLUG must be grounded.

# USING THE UNIT SAFELY

## INSTRUCTIONS FOR THE PREVENTION OF FIRE, ELECTRIC SHOCK, OR INJURY TO PERSONS

About **WARNING** and **CAUTION** Notices

<b>WARNING</b>	Used for instructions intended to alert the user to the risk of death or severe injury should the unit be used improperly.
<b>CAUTION</b>	Used for instructions intended to alert the user to the risk of injury or material damage should the unit be used improperly. * Material damage refers to damage or other adverse effects caused with respect to the home and all its furnishings, as well to domestic animals or pets.

About the Symbols

	The  symbol alerts the user to important instructions or warnings. The specific meaning of the symbol is determined by the design contained within the triangle. In the case of the symbol at left, it is used for general cautions, warnings, or alerts to danger.
	The  symbol alerts the user to items that must never be carried out (are forbidden). The specific thing that must not be done is indicated by the design contained within the circle. In the case of the symbol at left, it means that the unit must never be disassembled.
	The  symbol alerts the user to things that must be carried out. The specific thing that must be done is indicated by the design contained within the circle. In the case of the symbol at left, it means that the power-cord plug must be unplugged from the outlet.

**ALWAYS OBSERVE THE FOLLOWING**

**WARNING**

- Before using this unit, make sure to read the instructions below, and the Owner's Manual.

---

- Do not open or perform any internal modifications on the unit.

---

- Make sure you always have the unit placed so it is level and sure to remain stable. Never place it on stands that could wobble, or on inclined surfaces.

---

- Avoid damaging the power cord. Do not bend it excessively, step on it, place heavy objects on it, etc. A damaged cord can easily become a shock or fire hazard. Never use a power cord after it has been damaged.

---

- In households with small children, an adult should provide supervision until the child is capable of following all the rules essential for the safe operation of the unit.

---

- Protect the unit from strong impact. (Do not drop it!)

---

- Do not force the unit's power-supply cord to share an outlet with an unreasonable number of other devices. Be especially careful when using extension cords—the total power used by all devices you have connected to the extension cord's outlet must never exceed the power rating (watts/amperes) for the extension cord. Excessive loads can cause the insulation on the cord to heat up and eventually melt through.

---

- Before using the unit in a foreign country, consult with your dealer, or qualified Roland service personnel.

**CAUTION**

- Always grasp only the plug on the power-supply cord when plugging into, or unplugging from an outlet.

---

- Try to prevent cords and cables from becoming entangled. Also, all cords and cables should be placed so they are out of the reach of children.

---

- Never climb on top of, nor place heavy objects on the unit.

---

- Never handle the power cord or its plug with wet hands when plugging into, or unplugging from, an outlet.

---

- Before moving the unit, disconnect the power plug from the outlet, and pull out all cords from external devices.

---

- Before cleaning the unit, turn off the power and unplug the power cord from the outlet (p. 4).

---

- Whenever you suspect the possibility of lightning in your area, pull the plug on the power cord out of the outlet.

---

- The radiation fins on the unit's rear panel can become very hot during operation, and remain hot for a while after the unit is switched off. To avoid burns and other accidents, do not touch the fins while the unit is being used, or soon after the power has been turned off.

---

## IMPORTANT NOTES

---

In addition to the items listed under "IMPORTANT SAFETY INSTRUCTIONS" and "USING THE UNIT SAFELY" on pages 2 and 3, please read and observe the following:

### Power Supply

- Do not use this unit on the same power circuit with any device that will generate line noise (such as an electric motor or variable lighting system).
- Before connecting this unit to other devices, turn off the power to all units. This will help prevent malfunctions and/or damage to speakers or other devices.

### Placement

- Using the unit near power amplifiers (or other equipment containing large power transformers) may induce hum. To alleviate the problem, change the orientation of this unit; or move it farther away from the source of interference.
- This device may interfere with radio and television reception. Do not use this device in the vicinity of such receivers.
- Do not expose the unit to direct sunlight, place it near devices that radiate heat, leave it inside an enclosed vehicle, or otherwise subject it to temperature extremes. Excessive heat can deform or discolor the unit.
- This unit contains powerful magnets. If placed in the vicinity of TVs, it may cause interference (irregularities in color, or static). Should this occur, reposition this unit so it is located at a greater distance from such devices.

### Maintenance

- For everyday cleaning wipe the unit with a soft, dry cloth or one that has been slightly dampened with water. To remove stubborn dirt, use a cloth impregnated with a mild, non-abrasive detergent. Afterwards, be sure to wipe the unit thoroughly with a soft, dry cloth.
- Never use benzene, thinners, alcohol or solvents of any kind, to avoid the possibility of discoloration and/or deformation.

### Additional Precautions

- Use a reasonable amount of care when using the unit's buttons, sliders, or other controls; and when using its jacks and connectors. Rough handling can lead to malfunctions.
- When connecting / disconnecting all cables, grasp the connector itself—never pull on the cable. This way you will avoid causing shorts, or damage to the cable's internal elements.
- A small amount of heat will radiate from the unit during normal operation.
- To avoid disturbing your neighbors, try to keep the unit's volume at reasonable levels (especially when it is late at night).
- When you need to transport the unit, package it in the box (including padding) that it came in, if possible. Otherwise, you will need to use equivalent packaging materials.

---

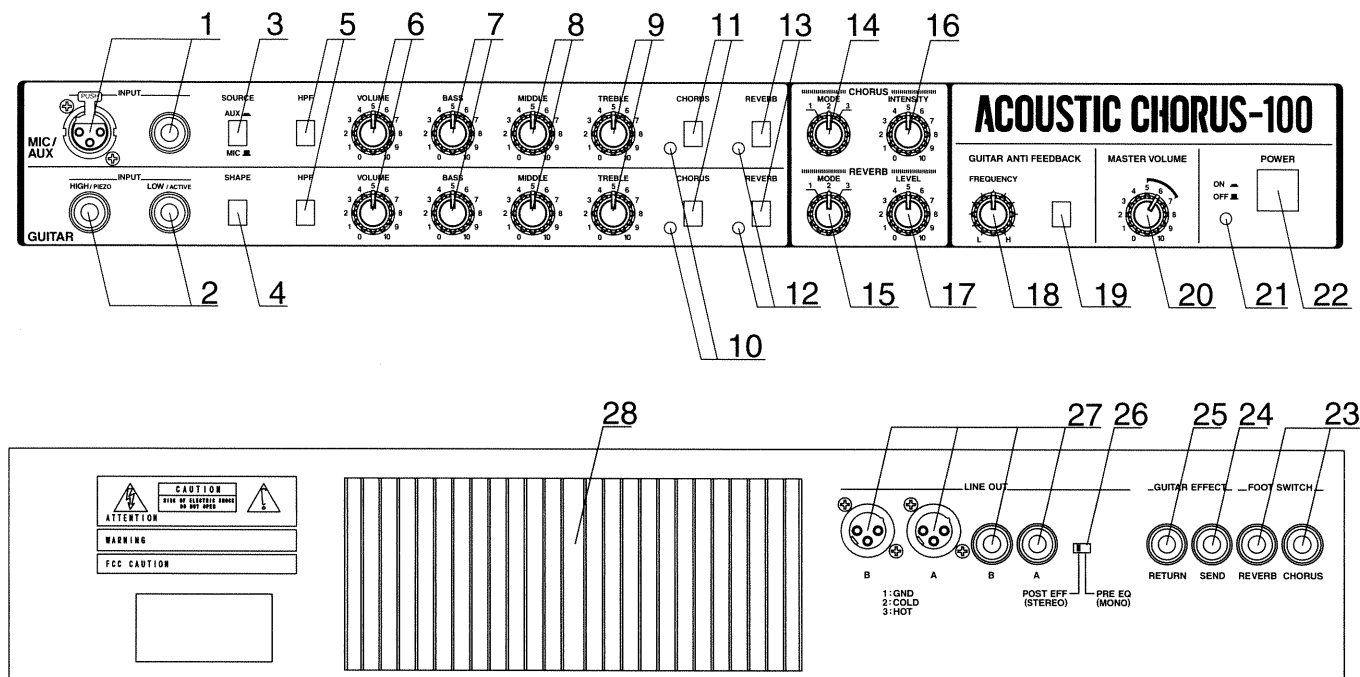
## SPECIFICATIONS

---

Rated Power Output	100 W ( 50 W + 25 W + 25 W )			
Nominal Input Level	Input	MIC/AUX	MIC	-50 dBm
			AUX	-20 dBm
		GUITAR	HIGH/PIEZO	-33 dBm
			LOW/ACTIVE	-27 dBm
		Guitar Effect Return		-10 dBm
Nominal Output Level	Guitar Effect Send		-10 dBm	
	Line Out		+4 dBm	( 0 dBm = 0.775 V rms )
	Speakers	30 cm ( 12 inches ) x 1 + 12 cm ( 5 inches ) x 2		
Controls	MIC/AUX	Source Switch, High Pass Filter Switch, Volume Knob, Bass Knob, Middle Knob, Treble Knob, Chorus Switch, Reverb Switch		
	GUITAR	Shape Switch, High Pass Filter Switch, Volume Knob, Bass Knob, Middle Knob, Treble Knob, Chorus Switch, Reverb Switch		
	Effects	Chorus Mode Select Switch, Chorus Intensity Knob, Reverb Mode Select Switch, Reverb Level Knob		
	Guitar Anti-Feedback	Frequency Knob, Guitar Anti-Feedback Switch, Master Volume Knob, Line Out Select Switch		
Connectors	MIC/AUX Input Jacks ( XLR type balanced, 1/4 inch phone type balanced ), GUITAR Input Jacks ( HIGH/PIEZO, LOW/ACTIVE ), Chorus Foot Switch Jack, Reverb Foot Switch Jack, Guitar Effect Send Jack, Guitar Effect Return Jack, Line Out Jacks ( XLR type balanced, 1/4 inch phone type unbalanced )			
Power Supply	AC 117 V, 230 V or 240 V			
Power Consumption	110 W			
Dimensions	646 (W) x 298 (D) x 533 (H) mm, 25-7/16 (W) x 11-3/4 (D) x 21 (H) inches			
Weight	27 kg / 59 lbs 9 oz			
Accessories	Owner's Manual			

\* In the interest of product improvement, the specifications and/or appearance of this unit are subject to change without prior notice.

## Part Names



### 1. MIC/AUX CHANNEL input jacks

These jacks accept connection of an XLR or 1/4" phone jack. The 1/4" phone jack takes priority if both are connected at the same time.

\* The 1/4" phone jack is a dual balanced/unbalanced type. You can use either type of plug.

### 2. GUITAR CHANNEL input jacks

These jacks are for HIGH/PIEZO or LOW/ACTIVE connection, depending on the output from your guitar.

HIGH/PIEZO: This jack is for connecting guitars that don't have a built-in preamp. A standard electric guitar should also be connected here.

LOW/ACTIVE: This jack is for connecting a guitar with a built-in preamp.

### 3. SOURCE select switch

This switch is used to switch the input level to match the output level of the instrument connected to the MIC/AUX CHANNEL input jack. This switch should be set to "MIC" if you've plugged in a microphone or some other instrument with a low output level, or to "AUX" if you've connected an instrument with a high output level, such as a rhythm machine.

### 4. SHAPE switch

This switch only functions with respect to signals from the GUITAR CHANNEL jack. When on, sounds are clearer and crisper with more of an edge.

### 5. HPF (High-Pass Filter) switch

This filter cuts off the bass range for each channel.

\* When the MIC/AUX CHANNEL is used and the SOURCE select switch is set to "AUX," this switch has no effect.

### 6. VOLUME

This knob adjusts the sound level. Rotate this knob clockwise to increase the volume.

### 7. BASS

This knob adjusts the bass range. Rotate this knob clockwise to boost the bass frequencies.

### 8. MIDDLE

This knob adjusts the midrange. Rotate this knob clockwise to boost the midrange frequencies.

### 9. TREBLE

This knob adjusts the treble range. Rotate this knob clockwise to boost the treble frequencies.

### 10. CHORUS indicator

This indicator lights when the Chorus effect is on.

### 11. CHORUS switch

This switch turns the Chorus effect on or off.

### 12. REVERB indicator

This indicator lights when the Reverb effect is on.

### 13. REVERB switch

This switch turns the Reverb effect on or off.

### 14. CHORUS MODE switch

This switch is used to select the Chorus mode.

Mode 1: Produces a clear chorus effect with slow undulations.

Mode 2: Produces a warm chorus effect with greater depth and breadth.

Mode 3: Produces a chorus effect similar to a 12-string guitar with predelay. (This mode is great for playing arpeggios!)

\* Modes 2 and 3 use a newly developed technique of sound imaging which separately outputs the various frequency ranges of the sound, so they offer a Chorus that creates a greater sense of spaciousness.

### 15. REVERB MODE switch

This switch is used to select the Reverb mode.

Mode 1: This is a room-type reverb with a short reverb time that elicits the ambience of a recording studio.

Mode 2: This is a hall-type reverb with a long reverb time that produces the echoes of a concert hall.

Mode 3: This is a plate-type reverb characterized by a brilliant upper range.

## 16. CHORUS INTENSITY

This knob adjusts the depth of the chorus effect. Rotating the knob clockwise intensifies the effect.

\* Rotating this knob during a performance may result in noise. This is not a reason for concern, however.

## 17. REVERB LEVEL

Rotating this knob clockwise increases the reverb volume.

\* A slight reverb can be heard even when this control is at its minimum setting. If you want to eliminate reverb completely, set the REVERB switch to "OFF."

## 18. GUITAR ANTI-FEEDBACK FREQUENCY

This knob adjusts the frequency of the feedback point.

\* This knob acts only on the input signal from the GUITAR CHANNEL input jack.

What does "anti-feedback" mean?

This is an extremely sensitive filter that cuts out only a certain frequency. If this frequency point is adjusted to the level where feedback occurs, unpleasant feedback due to resonance can be suppressed.

## 19. GUITAR ANTI-FEEDBACK switch

This switches the GUITAR ANTI-FEEDBACK circuit on or off.

## 20. MASTER VOLUME

This knob adjusts the overall sound level. Rotating the knob clockwise increases the volume.

## 21. Pilot light

This LED lights when the unit is on.

## 22. POWER switch

This switches the amp on or off.

\* Be sure to set the VOLUME knob to "0" when switching the power on or off.

\* This unit is equipped with a protection circuit. A brief interval (a few seconds) after power up is required before the unit will operate normally.

## 23. FOOT SWITCH jacks

These jacks allow one or more foot switches to be connected for switching Reverb or Chorus on or off.

\* When using a foot switch to control the on/off state, be sure to press the CHORUS switch (11) and REVERB switch (13) for the channel to which you wish to apply the effect.

## 24. GUITAR EFFECT SEND jack

This jack is used to send the input guitar signal to an external effects device. Connect this to the effector's input jack.

## 25. GUITAR EFFECT RETURN jack

This jack accepts the return signal from an external effects processor. Connect this to the effector's output jack.

\* EFFECT SEND and RETURN work only with the GUITAR CHANNEL.

## 26. LINE OUT switch

This switch selects either "PRE EQ" or "POST EFF" for output from the LINE OUT jacks.

PRE EQ: The unprocessed input sound is sent directly to the LINE OUTs (monaural).

POST EFF: The input signal passes through the preamp and effects, and the processed sound is output (stereo).

\* See "Block Diagram" on this page for signal flow.

## 27. LINE OUT jacks

These jacks are used when you want to hook up a mixer or a recording device. A mixed signal from both the MIC/AUX CHANNEL and the GUITAR CHANNEL is output.

## 28. Radiation fins

**CAUTION**

The radiation fins can become very hot during operation, and remain hot for a while after the unit is switched off. To avoid burns and other accidents, do not touch the fins while the unit is being used, or soon after the power has been turned off.

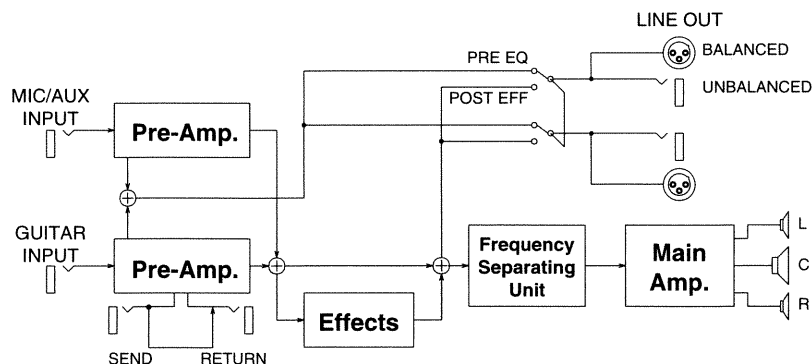


## Switching On Power

\* Turn on power to your various devices in the order specified. By turning on devices in the wrong order, you risk causing malfunction and/or damage to speakers and other devices.

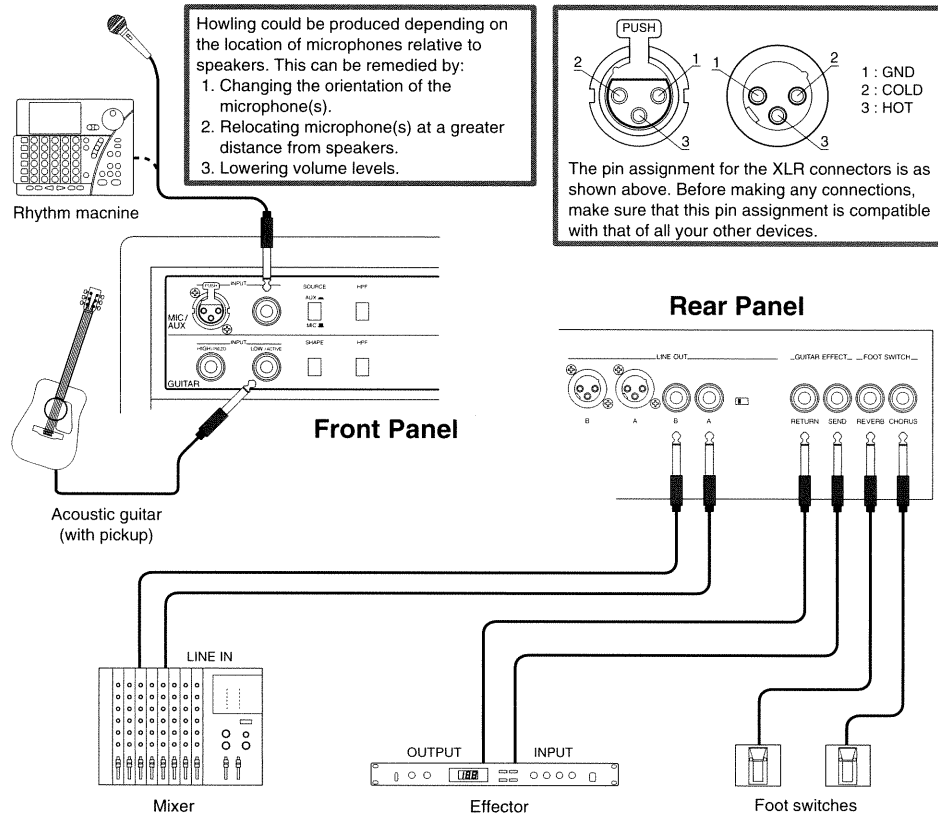
1. Switch on the power on all devices EXCEPT the device(s) connected to the LINE OUT jacks (27.).
2. Turn on the AC-100's power.
3. Finally, switch on the power on any devices connected to the LINE OUT jacks.

## Block Diagram



# Connection Examples

\* To prevent malfunction and/or damage to speakers or other devices, always turn down the volume, and turn off the power on all devices before making any connections.



This product complies with the requirements of European Directive 89/336/EEC.

For Europe

## FEDERAL COMMUNICATIONS COMMISSION RADIO FREQUENCY INTERFERENCE STATEMENT

This equipment has been tested and found to comply with the limits for a Class B digital device, pursuant to Part 15 of the FCC Rules. These limits are designed to provide reasonable protection against harmful interference in a residential installation. This equipment generates, uses, and can radiate radio frequency energy and, if not installed and used in accordance with the instructions, may cause harmful interference to radio communications. However, there is no guarantee that interference will not occur in a particular installation. If this equipment does cause harmful interference to radio or television reception, which can be determined by turning the equipment off and on, the user is encouraged to try to correct the interference by one or more of the following measures:

- Reorient or relocate the receiving antenna.
- Increase the separation between the equipment and receiver.
- Connect the equipment into an outlet on a circuit different from that to which the receiver is connected.
- Consult the dealer or an experienced radio/TV technician for help.

Unauthorized changes or modification to this system can void the users authority to operate this equipment. This equipment requires shielded interface cables in order to meet FCC class B Limit.

For the USA

### CLASS B

### NOTICE

This digital apparatus does not exceed the Class B limits for radio noise emissions set out in the Radio Interference Regulations of the Canadian Department of Communications.

### CLASSE B

### AVIS

Cet appareil numérique ne dépasse pas les limites de la classe B au niveau des émissions de bruits radioélectriques fixés dans le Règlement des signaux parasites par le ministère canadien des Communications.

For Canada

# Information

When you need repair service, call your nearest Roland Service Center or authorized Roland distributor in your country as shown below.

## ARGENTINA

**Instrumentos Musicales S.A.**  
Florida 638  
(1005) Buenos Aires  
ARGENTINA  
TEL: (01) 394 4029

## BRAZIL

**Roland Brasil Ltda.**  
R. Coronel Octaviano da Silveira  
203 05522-010  
Sao Paulo BRAZIL  
TEL: (011) 843 9377

## CANADA

**Roland Canada Music Ltd.  
(Head Office)**  
5480 Parkwood Way Richmond  
B. C., V6V 2M4 CANADA  
TEL: (0604) 270 6626

## Roland Canada Music Ltd.

**(Toronto Office)**  
Unit 2, 109 Woodbine Downs  
Blvd, Etobicoke, ON  
M9W 6Y1 CANADA  
TEL: (0416) 213 9707

## MEXICO

**Casa Veerkamp, s.a. de c.v.**  
Av. Toluca No. 323 Col. Olivar de  
los Padres 01780 Mexico D.F.  
MEXICO  
TEL: (525) 668 04 80

**La Casa Wagner de  
Guadalajara s.a. de c.v.**  
Av. Corona No. 202 S.J.  
Guadalajara, Jalisco Mexico  
C.P.44100 MEXICO  
TEL: (03) 613 1414

## PANAMA

**Productos Superiores, S.A.**  
Apartado 655 - Panama 1  
REP. DE PANAMA  
TEL: 26 3322

## U. S. A.

**Roland Corporation U.S.**  
7200 Dominion Circle  
Los Angeles, CA. 90040-3696,  
U. S. A.  
TEL: (0213) 685 5141

## VENEZUELA

**Musicland Digital C.A.**  
Av. Francisco de Miranda,  
Centro Parque de Cristal, Nivel  
C2 Local 20 Caracas  
VENEZUELA  
TEL: (02) 285 9218

## AUSTRALIA

**Roland Corporation  
Australia Pty. Ltd.**  
38 Campbell Avenue  
Dee Why West. NSW 2099  
AUSTRALIA  
TEL: (02) 982 8266

## NEW ZEALAND

**Roland Corporation (NZ) Ltd.**  
97 Mt. Eden Road, Mt. Eden,  
Auckland 3, NEW ZEALAND  
TEL: (09) 3098 715

## CHINA

**Beijing Xinghai Musical  
Instruments Co., Ltd.**  
2 Huangmuchang Chao Yang  
District, Beijing, CHINA  
TEL: (010) 6774 7491

## HONG KONG

**Tom Lee Music Co., Ltd.  
Service Division**  
22-32 Pun Shan Street, Tsuen  
Wan, New Territories,  
HONG KONG  
TEL: 2415 0911

## INDONESIA

**PT Galestra Inti**  
Kompleks Perkantoran  
Duta Merlin Blok E No.6—7  
Jl. Gajah Mada No.3—5,  
Jakarta 10130,  
INDONESIA  
TEL: (021) 6335416

## KOREA

**Cosmos Corporation  
Service Station**  
261 2nd Floor Nak-Won Arcade  
Jong-Ro ku, Seoul, KOREA  
TEL: (02) 742 8844

## MALAYSIA

**Bentley Music SDN BHD**  
No.142, Jalan Bukit Bintang 55100  
Kuala Lumpur, MALAYSIA  
TEL: (03) 2443333

## PHILIPPINES

**G.A. Yupangco & Co. Inc.**  
339 Gil J. Puyat Avenue  
Makati, Metro Manila 1200,  
PHILIPPINES  
TEL: (02) 899 9801

## SINGAPORE

**Swee Lee Company**  
BLOCK 231, Bain Street #03-23  
Bras Basah Complex,  
SINGAPORE 0718  
TEL: 3367886

## CRISTOFORI MUSIC PTE

**LTD**  
335, Joo Chiat Road SINGAPORE  
1542  
TEL: 3450435

## TAIWAN

**ROLAND TAIWAN  
ENTERPRISE CO., LTD.**  
Room 5, 9fl. No. 112 Chung Shan  
N.Road Sec.2, Taipei, TAIWAN,  
R.O.C.  
TEL: (02) 561 3339

## THAILAND

**Theera Music Co., Ltd.**  
330 Verng Nakorn Kasem, Soi 2,  
Bangkok 10100, THAILAND  
TEL: (02) 2248821

## BAHRAIN

**Moon Stores**  
Bad Al Bahrain Road,  
P.O.Box 20077  
State of BAHRAIN  
TEL: 211 005

## IRAN

**TARADIS**  
Mir Emad Ave. No. 15, 10th street  
P. O. Box 15875/4171 Teheran,  
IRAN  
TEL: (021) 875 6524

## ISRAEL

**Halilit P. Greenspoon &  
Sons Ltd.**  
8 Retzif Ha'aliya Hashnya St.  
Tel-Aviv-Yafo ISRAEL  
TEL: (03) 6823666

## JORDAN

**AMMAN Trading Agency**  
Prince Mohammed St. P. O. Box  
825 Amman 11118 JORDAN  
TEL: (06) 641200

## KUWAIT

**Easa Husain Al-Yousifi**  
P.O. Box 126 Safat 13002  
KUWAIT  
TEL: 5719499

## LEBANON

**A. Chahine & Fils**  
P.O. Box 16-5857 Gergi Zeidan St.  
Chahine Building, Achrafieh  
Beirut, LEBANON  
TEL: (01) 335799

## OMAN

**OHI Electronics & Trading  
Co. LLC**  
P. O. Box 889 Muscat  
Sultanate of OMAN  
TEL: 706 010

## QATAR

**Badie Studio & Stores**  
P.O.Box 62,  
DOHA QATAR  
TEL: 423554

## SAUDI ARABIA

**Abdul Latif S. Al-Ghamdi  
Trading Establishment**  
Middle East Commercial Center  
Al-Khobar Dharan Highway  
W/hamood st.  
P. O. Box 3631 Al-Khobar  
31952 SAUDI ARABIA  
TEL: (03) 898 2332

## SYRIA

**Technical Light & Sound  
Center**  
Khaled Ebn Al Walid St.  
P.O.Box 13520  
Damascus - SYRIA  
TEL: (011) 2235 384

## TURKEY

**Barkat Sanayi ve Ticaret**  
Siraselvier Cad. Guney Ishani No.  
86/6 Taksim, Istanbul TURKEY  
TEL: (0212) 2499324

## U.A.E

**Zak Electronics & Musical  
Instruments Co.**  
Zabeel Road, Al Sherooq Bldg.,  
No. 14, Grand Floor DUBAI  
U.A.E.  
P.O. Box 8050DUBAI, U.A.E  
TEL: (04) 360715

## EGYPT

**Al Fanny Trading Office**  
9, Ebn Hagar Ai Askalany Street,  
Ard El Golf, Heliopolis, Cairo,  
11341 EGYPT  
TEL: (02) 4171828  
(02) 4185531

## KENYA

**Musik Land Limited**  
P.O Box 12183 Moi Avenue  
Nairobi Republic of KENYA  
TEL: (2) 338 346

## MAURITIUS

**Philanne Music Center**  
4th, Floor Noll, Happy World  
House Sir William Newton Street  
Port Luis MAURITIUS  
TEL: 242 2986

## REUNION

**FO - YAM Marcel**  
25 Rue Jules MermanZL  
Chaudron - BP79 97491  
Ste Clotilde REUNION  
TEL: 28 29 16

## SOUTH AFRICA

**That Other Music Shop  
(PTY) Ltd.**  
11 Melle Street (Cnr Melle and  
Juta Street)  
Braamfontein 2001  
Republic of SOUTH AFRICA  
TEL: (011) 403 4105

## Paul Bothner (PTY) Ltd.

17 Werdmuller Centre Claremont  
7700  
Republic of SOUTH AFRICA  
TEL: (021) 64 4030

## AUSTRIA

**E. Dematte & Co.**  
Neu-Rum Siemens-Strasse 4  
A-6040 Innsbruck P.O.Box 83  
AUSTRIA  
TEL: (0512) 26 44 260

## BELGIUM/HOLLAND/ LUXEMBOURG

**Roland Benelux N. V.**  
Houtstraat 1 B-2260 Oevel-  
Westerlo BELGIUM  
TEL: (014) 575811

## BELOURUSSIA

**TUSHE**  
UL. Rabkorovskaya 17  
220001 MINSK  
TEL: (0172) 764-911

## CYPRUS

**Radex Sound Equipment Ltd.**  
17 Diagorou St., P.O.Box 2046,  
Nicosia CYPRUS  
TEL: (02) 453 426  
(02) 466 423

## DENMARK

**Roland Scandinavia A/S**  
Langebrogade 6 Post Box 1937  
DK-1023 Copenhagen K.  
DENMARK  
TEL: 32 95 3111

## FRANCE

**MUSIKENGRO**  
Zac de Folliouses 01706  
Les Echets Miribel FRANCE  
TEL: 472 26 2700

## FINLAND

**Roland Scandinavia As,  
Filial Finland**  
Lauttasaarentie 54 B  
Fin-00201 Helsinki, FINLAND  
P. O. Box No. 109  
TEL: (0) 682 4020

## GERMANY

**Roland Elektronische  
Musikinstrumente  
Handelsgesellschaft mbH.**  
Oststrasse 96, 22844 Norderstedt,  
GERMANY  
TEL: (040) 52 60090

## GREECE

**V. Dimitriadis & Co. Ltd.**  
20, Alexandras St. & Bouboulinas  
54 St. 106 82 Athens, GREECE  
TEL: (01) 8232415

## HUNGARY

**Intermusica Ltd.**  
Warehouse Area 'DEPO' Pf.83  
H-2046 Torokbalint, HUNGARY  
TEL: (23) 338 041

## IRELAND

**The Dublin Service Centre  
Audio Maintenance Limited**  
11 Brunswick Place Dublin 2  
Republic of IRELAND  
TEL: (01) 677322

## ITALY

**Roland Italy S. p. A.**  
Viale delle Industrie, 8  
20020 Arese Milano, ITALY  
TEL: (02) 93581311

## NORWAY

**Roland Scandinavia Avd.  
Kontor Norge**  
Lilleakerveien 2 Postboks 95  
Lilleaker N-0216 Oslo  
NORWAY  
TEL: 273 0074

## POLAND

**P. P. H. Brzostowicz Marian**  
UL. Blokowa 32, 03624 Warszawa  
POLAND  
TEL: (022) 679 44 19

## PORTUGAL

**Caius - Tecnologias Audio e  
Musica, Lda.**  
Rue de Catarina 131  
4000 Porto, PORTUGAL  
TEL: (02) 38 4456

## RUSSIA

**PETROSHOP Ltd.**  
11 Sayanskaya Street Moscow  
11531, RUSSIA  
TEL: 095 307 4892

**Slami Music Company**  
Sadjojawa-Triumfalnaja st., 16  
103006 Moscow, RUSSIA  
TEL: 095 209 2193

## SPAIN

**Roland Electronics  
de España, S. A.**  
Calle Bolivia 239 08020 Barcelona,  
SPAIN  
TEL: (93) 308 1000

## SWEDEN

**Roland Scandinavia A/S**  
Danvik Center 28 A, 2 tr.  
S-131 30 Nacka SWEDEN  
TEL: (08) 702 0020

## SWITZERLAND

**Roland (Switzerland) AG  
Musitronic AG**  
Gerberstrasse 5, CH-4410 Liestal,  
SWITZERLAND  
TEL: (061) 921 1615

## UKRAINE

**TIC-TAC**  
Mira Str. 19/108  
P.O.Box 180  
295400 Munkachevo, UKRAINE  
TEL: (03131) 414-40

## UNITED KINGDOM

**Roland (U.K.) Ltd., Swansea  
Office**  
Atlantic Close, Swansea  
Enterprise Park SWANSEA  
West Glamorgan SA7 9FJ,  
UNITED KINGDOM  
TEL: (01792) 702701

As of April, 18, 1997





**Roland®**

---

**17055094**

UPC

17055094



10981

**Roland**