

Appendix C: SW•10 Specifications

Acoustic Performance

Free Field Frequency Response: 34 Hz – 110 Hz (± 3 dB)
 Lower Cutoff Frequency: -3 dB @ 34 Hz
 Upper Cutoff Frequency: -3 dB @ 110 Hz
 Maximum SPL @ 1 meter, 7.5 dBu into both
 Balanced Inputs: 103 dB SPL @ 1m

Transducer

Low Frequency Driver:
 10 in/254 mm woofer with steel frame,
 dual voice coil, and paper cone

Amplifiers

Rated Power: 120 watts rms into a 4 ohm load
 (60 watts rms x 2)
 Burst Power: 270 watts rms into a 4 ohm load
 (135 watts rms x 2)
 Slew Rate: > 15 V/ μ s
 Distortion (THD, SMPTE IMD, DIM 100):
 < 0.03%
 Signal-to-Noise Ratio:
 > 110 dB, 20 Hz to 20 kHz,
 A-weighted, referenced to 60 watts
 into 4 ohms
 Type: Monolithic IC, Class AB

Electronic Crossover

Crossover Type: 24 dB/octave Linkwitz-Riley
 Crossover Frequency: Variable, 55 Hz to 110 Hz
 Input Impedance: 20 k Ω , balanced bridging;
 10 k Ω unbalanced

AC Power Requirements

US: 120 VAC, 60 Hz
 Europe: 240 VAC, 50 Hz
 Korea (AC Power Select at 230 V):
 220 VAC, 60 Hz
 Japan (AC Power Select at 115 V):
 100 VAC, 50/60 Hz
 AC Connector: 2-pin IEC 250 VAC, 16 A male
 Fuse: 115 VAC: T 1.6 A/250 V
 230 VAC: T 800 mA/250 V
 *Power Consumption: 80 watts with music, loud mix
 20 watts quiescent (idle)

Physical Dimensions and Weight

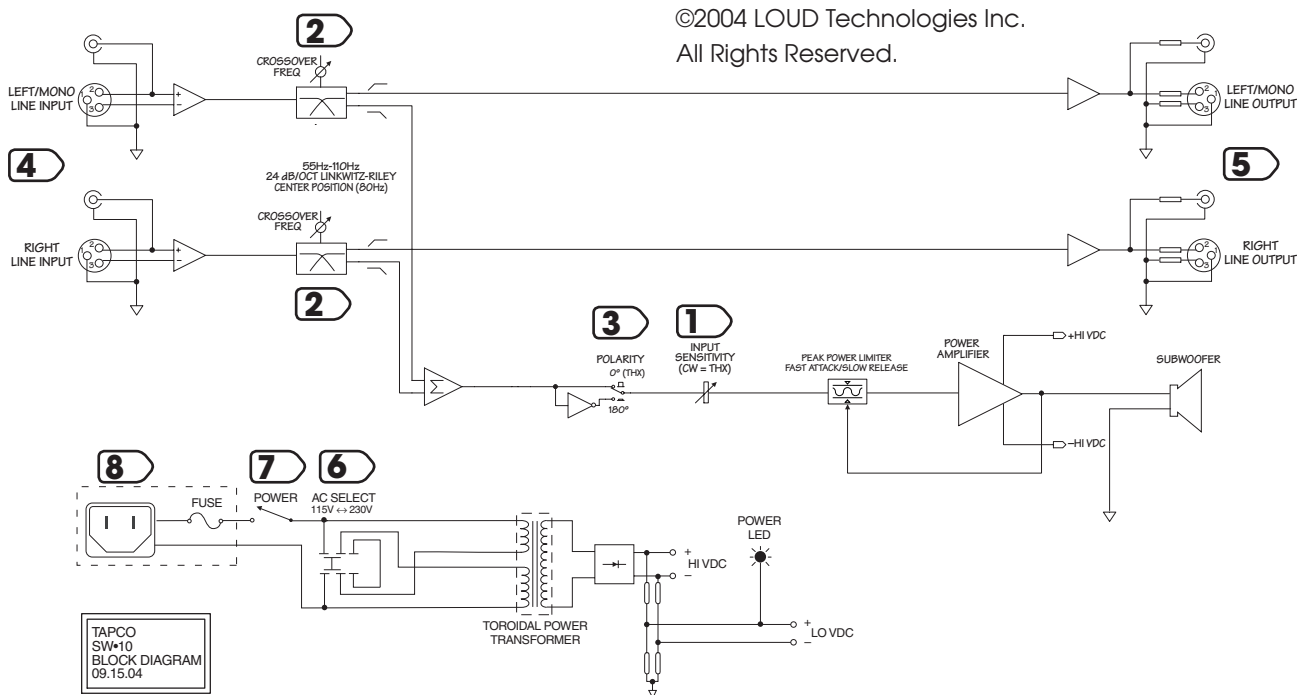
Enclosure: 0.625 in/16 mm thick MDF
 Damping: Adiabatic fiberfill
 Dimensions:
 Height: 11.8 in/300 mm
 12.3 in/312 mm w/feet
 Width: 12.0 in/295 mm
 Depth: 12.4 in/315 mm
 Weight: 28 lb/12.7 kg

Disclaimer

Since we are always striving to make our products better by incorporating new and improved materials, components, and manufacturing methods, we reserve the right to change these specifications at any time without notice.

"Mackie." and "TAPCO" are registered trademarks of LOUD Technologies Inc. All other brand names mentioned are trademarks or registered trademarks of their respective holders, and are hereby acknowledged.

SW•10 Block Diagram



©2004 LOUD Technologies Inc.
 All Rights Reserved.