

## Vision Series

■ The PA261 is an extremely versatile wide-dispersion, low-profile, two-way loudspeaker system offering substantial power and value for a variety of professional applications that include primary sound reinforcement and supplementary fill for larger systems. Its sub-compact size makes it ideal for low visibility column, side-wall or under-balcony mounting. The high-frequency section is a constant directivity horn loaded to a 1-inch titanium diaphragm tweeter for smooth, wide dispersion. The low-frequency transducers are two 6-inch carbon fiber woofers suitable for difficult climatic environments.

■ The system includes a high-level crossover network that features markedly lower (than conventional) induction values in series with the woofer. We call this innovation LICC (Low Impedance Compensated Crossover). The benefit is delay reduction, reduced phase shift and superior transient response. Dynamic high-frequency driver protection is accomplished with a fast-response filament resistor, chosen to complement the power curve of the driver.

■ The Mackie PA261 is a part of the VISION family of loudspeaker products including full-range, cost-effective two-way loudspeakers and complementary subwoofer cabinets. These enclosures have a trapezoidal footprint for easy array configuration. All enclosures are constructed using 19 mm void-free, birch plywood and finished with a scratch-resistant black coating. Transducer components are protected from the environment by a heavy gauge metal grille. The VISION products are eminently suited for fixed installation, ready for suspension via built-in M10 inserts with metal reinforcement and forged shoulder eyebolt hardware. The PA261 also includes M8 inserts.

■ This Mackie product is covered by an exclusive, one-time, NO FAULT repair policy in addition to a five year limited warranty.

## Compact Two-Way Speaker System



### Features

- Two 6-inch carbon fiber LF transducers
- 100° x 100° constant directivity horn-loaded 1-inch titanium dome tweeter
- Trapezoidal enclosure for array configurations
- HF driver dynamic protection
- LICC (Low Impedance Compensated Crossover) network
- 19 mm birch plywood construction
- Suspension points (M10 and M8) and eyebolt suspension hardware
- Exclusive Mackie — one-time, NO FAULT repair policy
- Five year limited warranty

- Cluster Configurations
- Live Music Reinforcement
- High-Level AV Playback
- Zone Delay and Fill Systems

# PA261 Compact Two-Way Speaker System

## Specifications

### System

Freq. Range (-10 dB):	45 Hz–16 kHz
Freq. Response (-3 dB):	60 Hz–15 kHz
Horz. Coverage Angle (-6 dB):	100° averaged 2 kHz to 16 kHz
Vert. Coverage Angle (-6 dB):	100° averaged 2 kHz to 16 kHz
Directivity Factor; Q (DI):	8.0 (9.0) averaged 2 kHz to 16 kHz
System Sensitivity <sup>1</sup> :	90 dB, 1W @ 1m
Rated Maximum SPL:	119 dB, @ 1m
System Nominal Impedance:	4Ω
System Input Power Rating <sup>2</sup> :	200W rms; 800W Peak
Recommended Amplifier <sup>3</sup> :	300W
HF Protection:	Dynamic
Crossover:	2.5 kHz, 12 dB/Octave

### Transducers

Low-Frequency:	Two 6 in/152 mm carbon fiber woofers
High-Frequency:	Integrated horn, 1 in/25 mm titanium diaphragm tweeter

### Physical

Enclosure:	Trapezoidal, 15° side angles, 19 mm multilayered birch
Rigging Inserts:	5 points for M10, 4 points for M8 threaded hardware
Color:	Black, scratch resistant paint
Grille:	Custom perforated steel grille
Input Connectors:	Screw terminals
Dimensions (HxWxD):	
Height:	24.0 in/610 mm
Width:	10.0 in/254 mm
Depth:	11.5 in/292 mm
Net Weight:	37.4 lb/17.0 kg

### Options

PA-A1	Forged shoulder M10 eyebolt hardware
-------	--------------------------------------

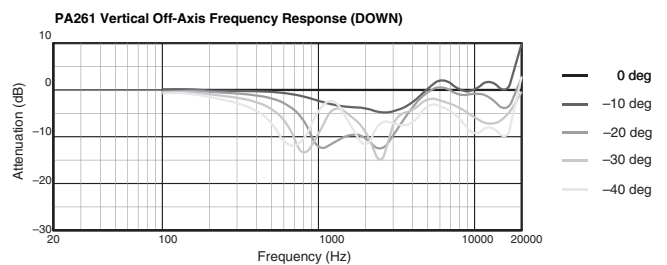
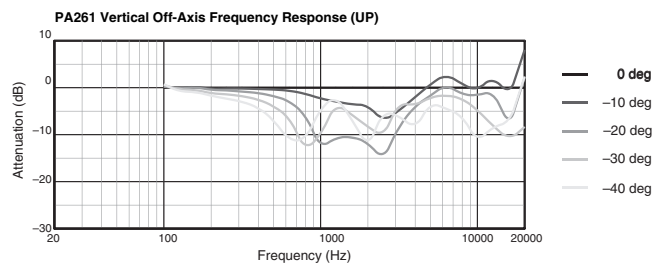
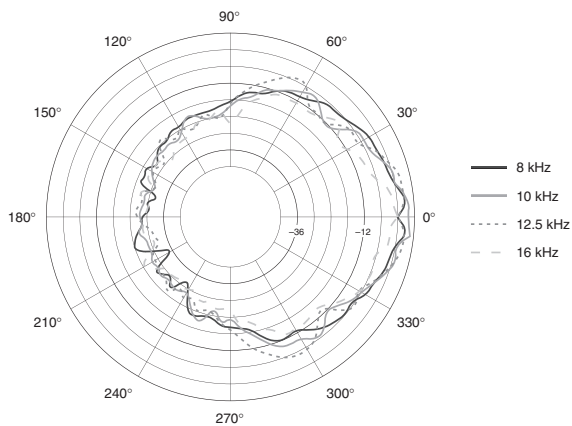
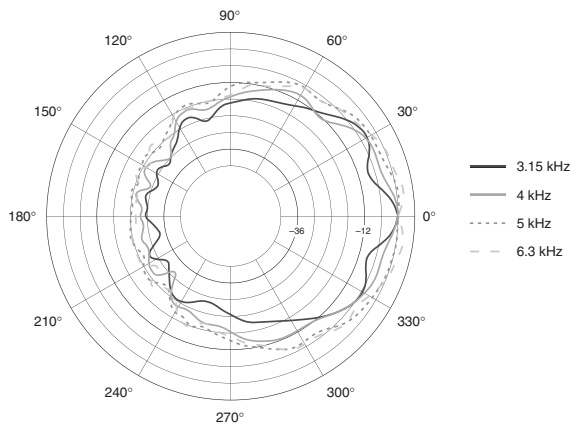
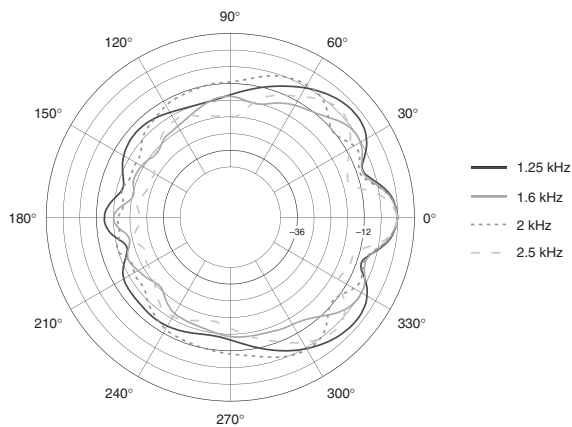
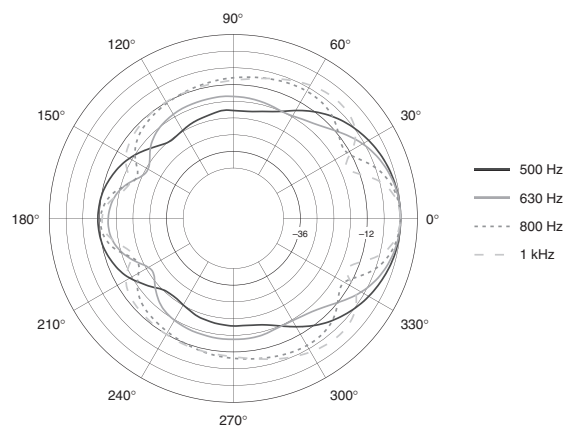
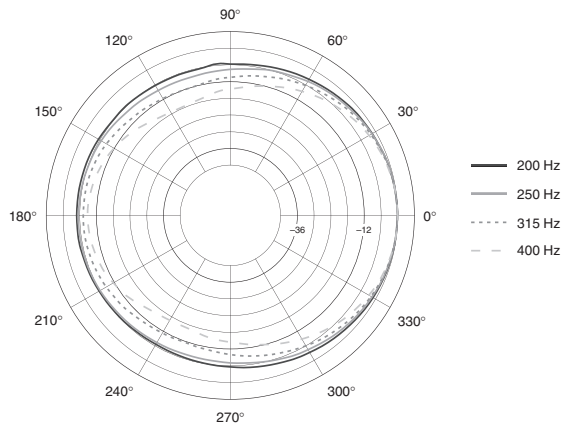
<sup>1</sup> Measured on axis in the far field with 1 watt (2.0 V rms, 4Ω) input and referenced to 1 meter distance using the inverse square law. Listed sound pressure represents an average from 300 Hz to 3 kHz.

<sup>2</sup> rms using 20 Hz to 20 kHz, PN Spectrum, Peak for 2 hours with +6 dB crest factor.

<sup>3</sup> Recommended Amplifier is a power capability value that should be taken as a guide.

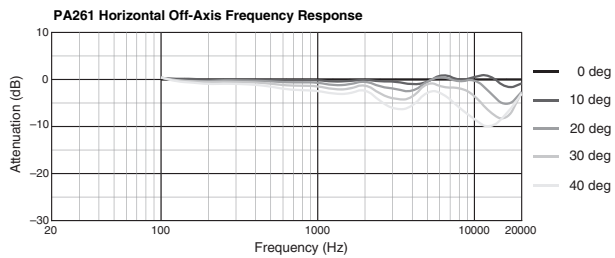
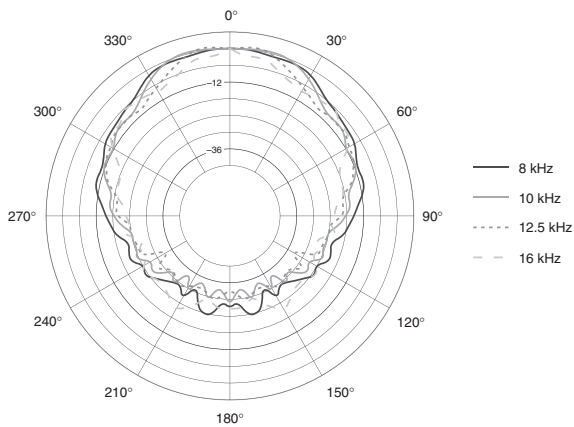
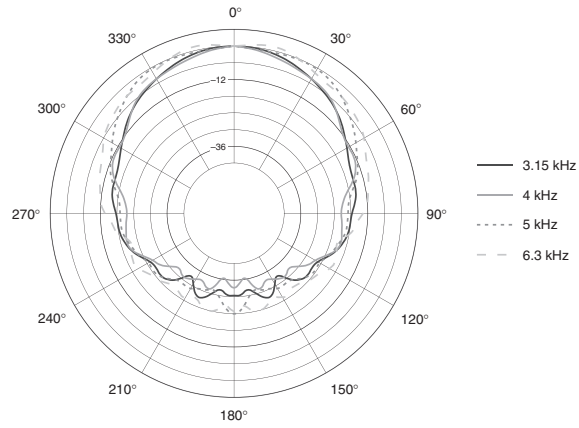
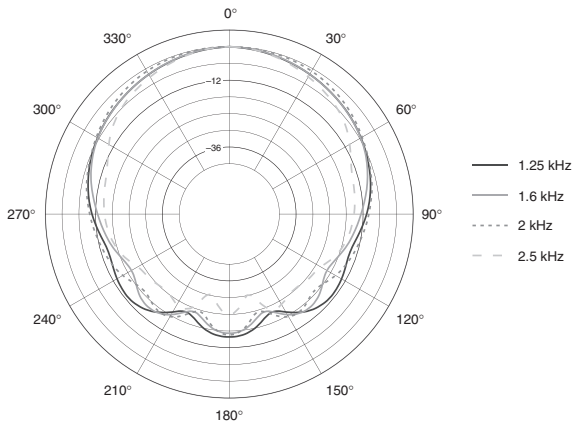
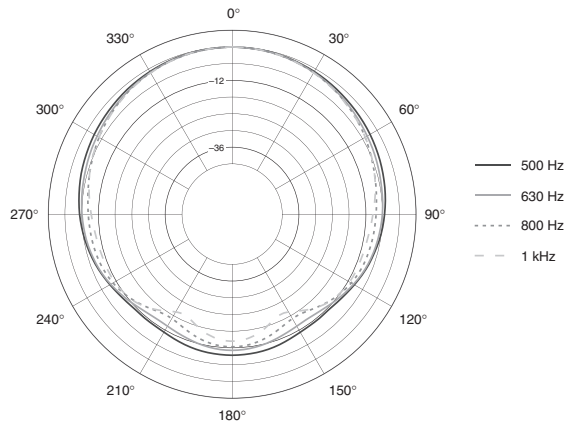
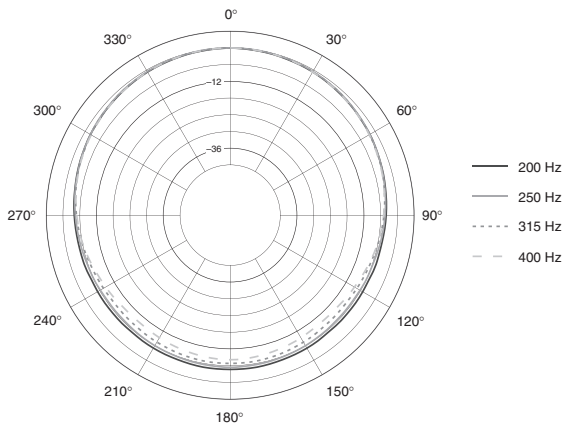
# PA261 Compact Two-Way Speaker System

## PA261 Vertical Polars



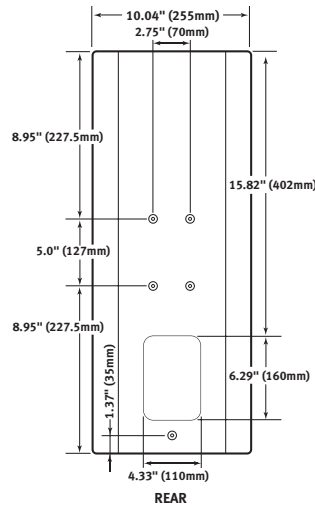
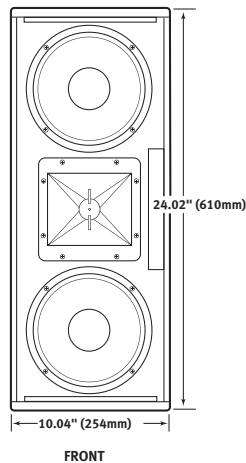
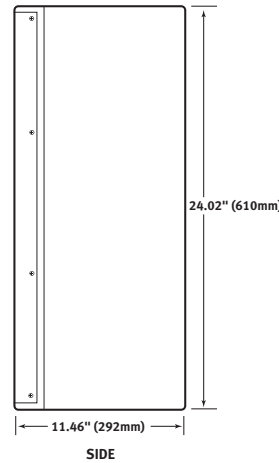
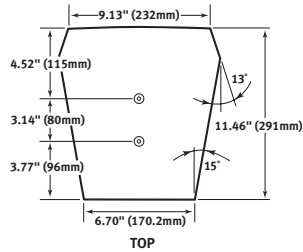
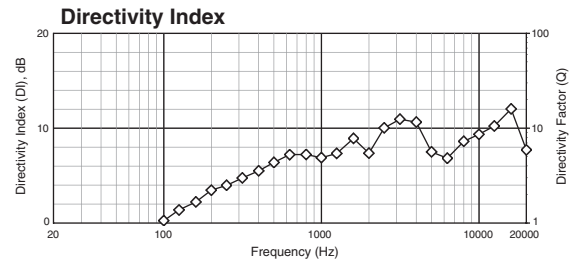
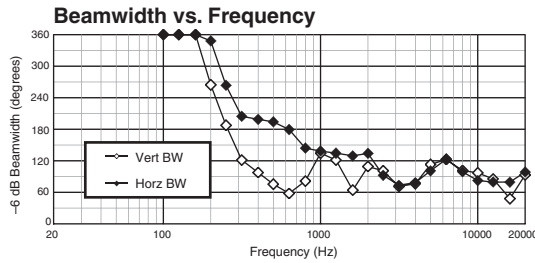
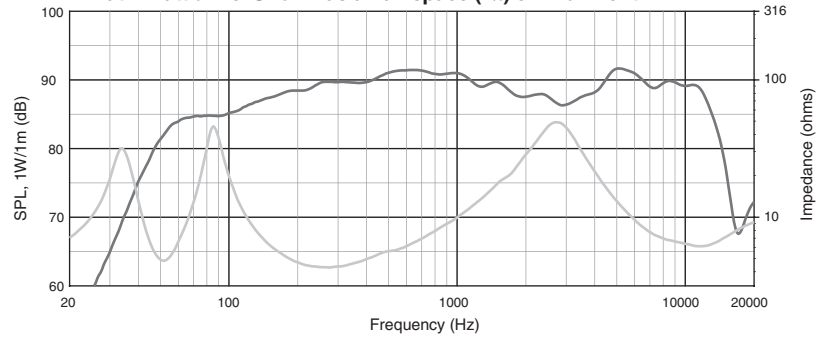
# PA261 Compact Two-Way Speaker System

## PA261 Horizontal Polars



# PA261 Compact Two-Way Speaker System

Frequency Response is measured on-axis at a distance referenced back to 1m at 1-watt drive. Shown as a half space ( $2\pi$ ) environment.



# PA261 Compact Two-Way Speaker System

## Architects' and Engineers' Specifications

The two-way loudspeaker system shall be self-contained and consist of the following components: (1) two 6-inch, low-frequency drivers; (2) a high-frequency section consisting of a 1-inch titanium dome tweeter; (3) a two-way crossover network; (4) a vented enclosure.

The two low-frequency transducers shall be cone type loudspeakers having cone diameters of at least 6 inches/152 mm. They shall have voice coils of at least 3 inches/76 mm in diameter and carbon fiber diaphragms. Together they shall present a nominal impedance load of 4 ohms. Sensitivity shall be at least 90 dB when measured at 1 m with an input of 1 watt and the power rating shall be at least 200 watts (AES), 800 watts peak.

The high-frequency section shall have a compression driver with a titanium diaphragm of at least 1 inch/25 mm in diameter. It shall present a constant-impedance load of 8 ohms. It shall have a nominal coverage pattern of 100° horizontal by 100° vertical.

The system shall be crossed over by an internal, high-level, passive network having a response of 12 dB/octave. The nominal crossover frequency shall be 2.5 kHz. The low-pass section of the network shall have minimum inductance in series with the low-frequency drivers. A switch shall be provided to disconnect the crossover network, but not the high-frequency protection circuit, from the drivers to allow bi-amp operation.

The enclosure shall be a vented design with an internal volume of at least 0.83 cubic feet. The vent shall be tuned to 60 Hz. It shall be constructed using 0.75 inch/19 mm, void-free birch plywood and finished with black, scratch-resistant paint. It shall be trapezoidal shaped with 15° angled sides. A full size, detachable, perforated steel grille, finished in black scratch-resistant paint shall be provided. At least 9 reinforced threaded metal sockets (M10, M8) for attaching mounting hardware and three eye bolts shall also be provided. The overall dimensions of the enclosure shall not exceed 24.0 in/610 mm x 10.0 in/254 mm x 11.5 in/292 mm. Connections to the loudspeaker shall be screw terminal connectors.

## (continued Architects' & Engineers' Specs)

The performance of the two-way loudspeaker system shall be as follows: long-term power handling, at least 200 watts rms; peak power handling, at least 800 watts; frequency response, 60 Hz–15 kHz at –3 dB; maximum SPL, 119 dB (anechoic–1m); sensitivity, 90 dB SPL (1W/1m anechoic); –6 dB coverage, measured average 2 kHz–16 kHz, 100° horizontal by 100° vertical. The two-way loudspeaker system shall be a model PA261 manufactured by Mackie Designs.

# MACKIE®

[www.mackie.com](http://www.mackie.com)

16220 Wood-Red Road, NE, Woodinville, WA 98072 USA  
888.337.7404, fax 425.487.4337, [sales@mackie.com](mailto:sales@mackie.com)

UK +44.1268.571.212, fax +44.1268.570.809, [uk@mackie.com](mailto:uk@mackie.com)  
ITALY +39.0522.354.111, fax +39.0522.926.208, [italy@mackie.com](mailto:italy@mackie.com)  
FRANCE +33.3.85.46.91.60, fax +33.3.85.46.91.61, [france@mackie.com](mailto:france@mackie.com)  
GERMANY +49.2572.96042.0, fax +49.2572.96042.10, [germany@mackie.com](mailto:germany@mackie.com)

Electronic files for this product available at:  
[www.mackie.com](http://www.mackie.com)

This Specification Sheet

PA261.PDF

Mackie Designs continually engages in research related to product improvement. New material, production methods, and design refinements are introduced into existing products without notice as a routine expression of that philosophy. For this reason, any current Mackie product may differ in some respect from its published description, but will always equal or exceed the original design specifications unless otherwise stated. ©2002 Mackie Designs Inc. All rights Reserved. Mackie and the "Running Man" figure are registered trademarks of Mackie Designs Inc.

part no. 910-149-10 Rev. C