

## MONITOR Series

- The Monitor MSW4 Subwoofer was expressly designed to complement a pair of Monitor Series MR3STK, MR4 or MR5 compact full-range speaker systems. Two internal high-level, passive crossover networks deliver low-frequency information, below 170Hz, to the system's integral pair of 10 inch, high-efficiency woofers. Frequencies above 170Hz are passed through to the MSW4 output terminals for connection to satellite loudspeakers.
- Extremely efficient for its size, it will handle 120W per channel continuous power, producing 115dB SPL (1m) with both channels driven.
- Its compact size allows placement under desks and tables and other out of the way locations in the room. When paired with shielded MR3ST or MR5S satellites, the MSW4 can complete an ideal loud-speaker system for sophisticated video applications.
- The rectangular cabinet utilizes a reflex configuration to maximize the subwoofer's performance while keeping its size to a minimum. It is constructed with extremely rigid, high-density particle board instead of plywood to reduce cabinet resonance and coated with scratch resistant, matte black or white (MSW4W) PVC.
- The MSW4 is a part of Mackie Industrial's Monitor Series.
- This Mackie Industrial product is covered by an exclusive, one-time NO FAULT repair policy in addition to a five year, limited warranty.

## Dual Subwoofer



## Features

- Extremely compact, 2-channel design
  - Dual 10" high-efficiency woofers
  - Built-in low inductance crossover
  - Band-limited output terminals for connecting satellite loudspeakers
  - Dual-vented, rectangular enclosure
  - Exclusive Mackie Industrial — one-time NO FAULT repair policy
  - Five year, limited warranty
- 
- Low-Frequency Enhancement
  - Music Enhancement
  - Special Effects Reinforcement
  - Entertainment/Presentation Systems

# MSW4 Dual Subwoofer

## Specifications

### System

Freq. Range (-10dB):	38Hz–200Hz
Freq. Response (-3dB):	48Hz–160Hz
System Sensitivity <sup>1</sup> :	85dB, 1W @ 1m
Rated Maximum SPL:	115dB, @ 1m (both channels)
Nominal Impedance:	4Ω (each channel)
Input Power Rating:	2x 120W, IEC; 2x 480W Peak
Recommended Amplifier <sup>2</sup> :	2x 180W
Crossover:	170Hz, 6dB/octave

### Transducers

Low-Frequency:	2x 10" (250mm) woofer with 1.5" (38mm) coil
----------------	--

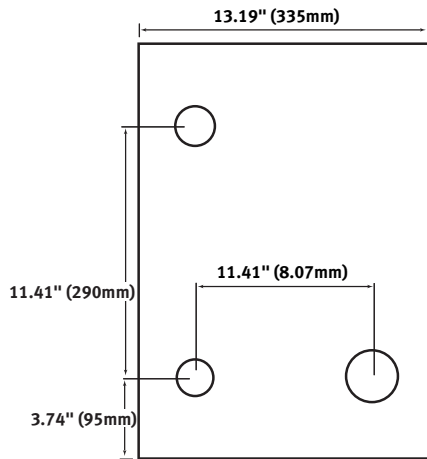
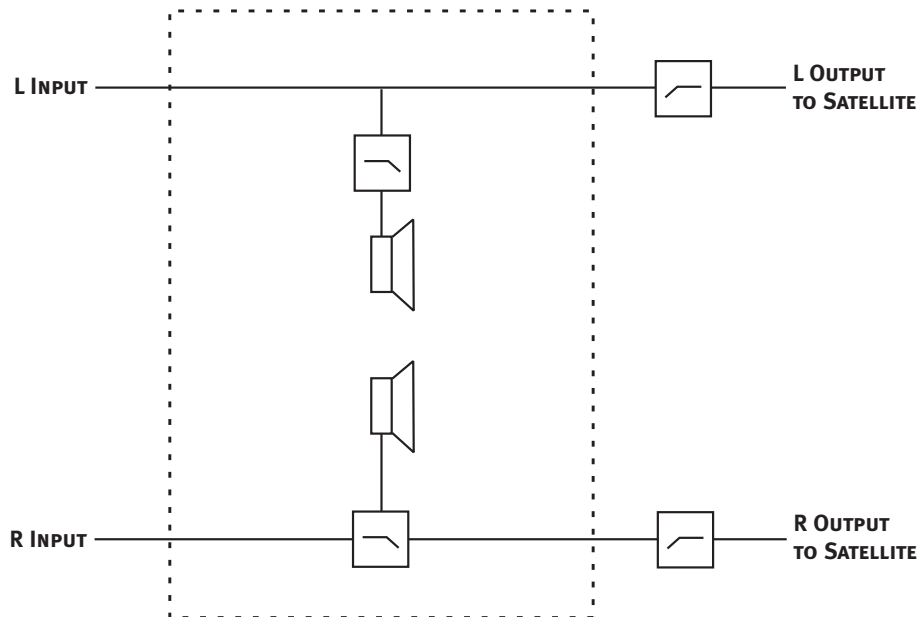
### Physical

Enclosure:	Rectangular, high density particle board
Color:	Black (white, MSW4W) scratch resistant PVC
Input/Output Connectors:	Push connector plate
Dimensions (HxWxD):	18.91" x 13.19" x 14.18" (480mm x 335mm x 360mm)
Net Weight:	37.4 lb. (16.96kg)

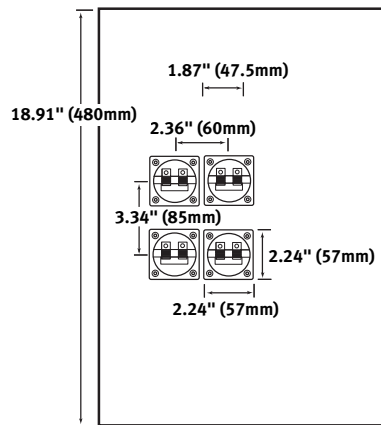
<sup>1</sup> Measured on axis in the far field with 1 watt (2.0V RMS, 4Ω) input and referenced to 1 meter distance using the inverse square law. Listed sound pressure represents an average from 50Hz to 150Hz.

<sup>2</sup> Recommended Amplifier is a power capability value that should be taken as a guide.

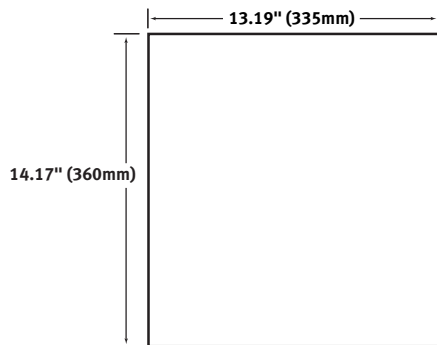
# MSW4 Dual Subwoofer



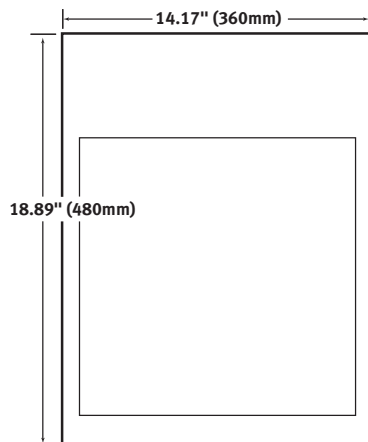
FRONT



REAR



TOP



SIDE

# MSW4 Dual Subwoofer

## Architects' & Engineers' Specifications

The stereo subwoofer loudspeaker system shall be self-contained and consist of the following components: (1) two low-frequency drivers; (2) a stereo two-way crossover network; (4) a vented enclosure.

The low-frequency transducers shall be cone type loudspeakers having diameters of at least 10 inches (250mm). The cones shall be fitted with high compliance foam surrounds and treated to resist moisture. They shall have voice coils that are at least 4 inches in diameter and present nominal impedance loads of  $4\Omega$  each to the crossover networks.

The system shall be crossed over by two internal, high-level, passive networks having responses of 6dB/octave. The nominal crossover frequencies shall be 170Hz. The crossover networks shall present at the connectors, two high-pass outputs at 170Hz for the purpose of connecting full range satellite loudspeakers.

The enclosure shall be a vented design. It shall be constructed using high density particle board and finished with black or white (MSW4W), scratch resistant PVC. It shall be rectangular in shape. The overall dimensions of the enclosure shall not exceed (HxWxD) 18.91" x 13.19" x 14.18" (480mm x 335mm x 360mm). The total weight of the loudspeaker shall not exceed 37.4 lbs. (16.96kg). Connections to the loudspeaker, in and out, shall be eight color-coded, spring-loaded push connectors.

The loudspeaker system shall have an overall frequency response of at least 38Hz–200Hz when measured to  $-10\text{dB}$  and at least 48Hz–160Hz when measured to  $-3\text{dB}$ . Calculated 1W/1m sensitivity shall be at least 85dB when measured in the far field between 50Hz and 150Hz. Maximum SPL shall be at least 115dB at 1m. The loudspeaker shall be rated for continuous operation at 2 x 120W IEC with 480W peaks, per channel.

The dual subwoofer loudspeaker system shall be a model MSW4 (MSW4W-white) manufactured by Mackie Industrial.

Electronic files for this product available at:  
[www.mackieindustrial.com](http://www.mackieindustrial.com)


This Specification Sheet	MSW4.PDF
Architects' & Engineers' Specifications	MSW4AE.TXT
Quick-Start Manual	MSW4QS.PDF
Owner/Operator's Manual	MSW4ML.PDF
CADD files	MSW4.DXF
EASE data	MSW4.EAS



[www.mackieindustrial.com](http://www.mackieindustrial.com)

16220 Wood-Red Rd NE, Woodinville, WA 98072 USA  
888.337.7404, fax 425.487.4337, [industrial@mackie.com](mailto:industrial@mackie.com)

UK + 44 1268 570 808, fax + 44 1268 570 809, [industrial@rcf-uk.com](mailto:industrial@rcf-uk.com)  
ITALY +39 0522 354 111, fax +39 0522 332 294, [industrial@rcf.it](mailto:industrial@rcf.it)  
FRANCE +33 3 8546 9160, fax +33 3 8546 9161, [industrial@rcf.fr](mailto:industrial@rcf.fr)  
GERMANY +49 2572 96042 0, fax +49 2572 96042 10, [industrial@mackie.de](mailto:industrial@mackie.de)

Mackie Designs continually engages in research related to product improvement. New material, production methods, and design refinements are introduced into existing products without notice as a routine expression of that philosophy. For this reason, any current Mackie Industrial product may differ in some respect from its published description, but will always equal or exceed the original design specifications unless otherwise stated. ©1999-2000 Mackie Designs Inc. All rights Reserved. **MACKIE** and  are registered trademarks of Mackie Designs Inc. Mackie Industrial is a trademark of Mackie Designs Inc.

part no. 910-212-10