

M-AUDIO

KeyStudio

49-Note USB Keyboard Controller



User Guide

Introduction	3
Features	3
What's in the Box?	3
About this Guide	3
Minimum System Requirements	4
Mac OS	4
Windows	4
Connecting the KeyStudio Keyboard	4
Getting Started with Music Creation Software	5
Key Names	5
Octave Buttons	5
Pitch Bend Wheel	6
Modulation Wheel	6
Volume Slider	6
Sustain Pedal Jack	6
Advanced Features in Edit Mode	6
Advanced Functions in Edit Mode	7
Octave Buttons Options	7
<i>Octave Shift</i>	7
<i>Transpose</i>	8
<i>Channel</i>	8
<i>Program Change</i>	9
<i>Bank LSB and Bank MSB</i>	9
Other Assignable Controllers	10
The Modulation Wheel	10
The Volume Slider	11
MIDI Messages In-Depth	12
Program & Bank Changes	12
NRPN/RPNs	13
Troubleshooting	14
Useful MIDI-Specific Troubleshooting Features	15
All Notes Off	15
Reset All Controllers	15
Appendices - Useful MIDI Data	16
Appendix A - General MIDI Instruments	16
Appendix B - Standard MIDI Controller Numbers (MIDI CC's)	17
Appendix C - Additional RPN Messages	18
Warranty	18
Technical Info	19

Introduction

1

Congratulations on your purchase of M-Audio KeyStudio: a 49-key full-size, velocity sensitive USB keyboard designed for easy integration with your Mac OS X computer. KeyStudio can be used with a multitude of music creation applications including GarageBand, Logic Express, and Logic Pro.

Features

2

- 49-key velocity sensitive keyboard
 - Pitch Bend wheel
 - Modulation wheel; MIDI re-assignable
 - Volume slider; MIDI re-assignable
 - Octave up/down buttons; MIDI re-assignable
 - Edit Mode button for advanced functions and programming
 - Sustain foot pedal input
 - no driver installation needed – simply connect and power on
 - bus-powered through USB
-
-

What's in the Box?

3

- M-Audio KeyStudio USB keyboard
- USB cable
- Printed KeyStudio Quick Start Guide

If any of the above listed items are missing, please contact the retailer where you purchased the product.

About this Guide

4

This User Guide covers setup and features of KeyStudio. Even if you are experienced with MIDI and computer-based music production, we still recommend reading this User Guide to help you get the most out of KeyStudio. This keyboard can be used with many third-party music software applications. See your specific software's documentation for more information on this.

Minimum System Requirements

5

Mac OS

- Macintosh G3 800/G4 733 MHz or higher*
(CPU speed requirement may be higher for laptops)
- OS X 10.3.9 with 256 MB RAM
- OS X 10.4.3 or greater with 512 MB RAM
- One native USB port

**G3/G4 accelerator cards are not supported.*

M-Audio suggests you also check the minimum system requirements for any third-party software applications you plan on using with your new M-Audio hardware, as they may be greater than the above.

Windows*

- Pentium 3 – 800 MHz or higher
(CPU speed requirement may be higher for laptops)
- 256 MB RAM
- DirectX 9.0b or higher
- Windows XP (SP2) or higher**
(Windows 98, Me, NT, or 2000 not supported)
- One native USB port

**This User Guide focuses on using KeyStudio with Mac OS X, however KeyStudio integrates seamlessly with Windows XP computers as well.*

***Home and Professional Edition only. Windows Media Center Edition is not currently supported.*

Connecting the KeyStudio Keyboard

6

No additional drivers need to be installed to use the KeyStudio USB keyboard. Simply:

1. Close any open applications on your computer.
2. Connect the provided USB cable between KeyStudio and your Mac OS X computer.
3. Switch the keyboard on.

Getting Started with Music Creation Software

7

If you are new to MIDI (Musical Instrument Digital Interface), you may find it challenging to understand why sounds have not simply been included in the keyboard. You will find that using a software-based sound source and recording system allows for access to an extremely large array of high quality sounds, a large graphic user interface, and freedom to work with many music creation applications. A basic understanding of MIDI will enable you to take advantage of its wealth of creative possibilities.

Pressing one of KeyStudio's keys causes the keyboard to send out MIDI (Musical Instrument Digital Interface) data. MIDI data just gives instructions on how a sound should play. These instructions dictate parameters such as what note to play, when to play it, how loud to play it, and which sound to use.

When using a virtual (software) instrument within your recording software, data from the KeyStudio keyboard is sent to the sequencer software, routed to a virtual instrument, and sent to an audio output. This process turns MIDI data into audible sounds. For this, you must configure your music software to read MIDI data being sent from KeyStudio, and play the sound back accordingly. In many music applications, much of this process is automated. GarageBand, for example, only requires you to highlight a Software Instrument track in order to be able to hear what you are playing on your KeyStudio keyboard. Provided your computer has built-in speakers, or you have external speakers connected (and these speakers are not muted or turned down), you should hear sounds corresponding to notes you play on KeyStudio. See the documentation associated with any MIDI-compatible music software you are using for more information.

Key Names

The letters printed above the white keys stand for the names of the musical notes the keys represent. The number next to each letter marks the octave each key belongs to. (More information on octaves can be found in the following section.) Black keys are "semitones" to their adjacent white keys and don't have a dedicated letter. A semitone represents the distance in pitch from one note to its immediate neighbor.

Black keys usually have the same name as the next higher or lower white key, but have an additional sharp symbol (# – semitone higher than the letter indicates), or flat symbol (b – semitone lower than the letter indicates) attached to them. For example, the name of the black key to the right of C3 is C#3 (C-sharp 3), but it can also be called Db3 (D-flat 3), since it is also adjacent to the D key on its right. In other words, black keys have two valid names, depending on the context of the musical notation they are part of.

Octave Buttons

An octave contains 12 notes, and each octave is marked out clearly on your KeyStudio keyboard by black and white sections starting on C. Each octave is given a number.

KeyStudio is able to shift the pitch of its keys up or down by one or more octaves. When the keyboard's octaves are not shifted (octave shift set to zero), the lights above both the Octave "<" and Octave ">" buttons will be lit. The default octave shift designation is zero and will be the octave setting each time you power up the keyboard.

If you press the Octave ">" button once, the light above the Octave "<" button will go out, indicating the keyboard is now playing an octave higher. If you press the Octave ">" button again, the keyboard will be shifted up two octaves. It is possible to shift the keyboard up a total of four octaves using the Octave ">" button. To shift the octave down, press the Octave "<" button in the same manner: pressing once for one octave, twice for two octaves, and three times for three octaves. It is possible to shift the keyboard down a total of three octaves.

To return the keyboard's octave shift to zero, press both the Octave "<" and ">" buttons at the same time. Both LEDs will light, indicating that the octave shift has returned to zero. In summary, when the Octave buttons are set to control octave shift (default), if the light is only lit above the Octave ">" button, the octave is shifted up. If the light is only lit above the Octave "<" button, the octave is shifted down.

Pitch Bend Wheel

As the name indicates, the Pitch Bend wheel is usually used to bend the notes played on the keyboard up or down. This allows you to play phrases not normally associated with keyboard playing, including guitar-style riffs. Your sound source determines how far you can bend the note. The usual setting is two semitones but can be up to two octaves up or down.

Modulation Wheel

The Modulation wheel is typically used for modulation of the sound you are playing. This real-time controller was originally introduced on electronic keyboard instruments to give the performer options such as adding vibrato, just like players of acoustic instruments do. KeyStudio's Modulation wheel is assignable to control many possible parameters. (See chapter "Advanced KeyStudio Features in Edit Mode" for more information on this.)

Volume Slider

The Volume slider can send MIDI messages that control the volume of the notes you are playing. The Volume slider can also be assigned to control different parameters such as pan (balance), attack, reverb, and chorus. (See chapter "Advanced KeyStudio Features in Edit Mode" for more information on this.)

Sustain Pedal Jack

You can connect a momentary-contact foot pedal (not included) to the Sustain jack on the back of your M-Audio keyboard. The keyboard will automatically detect the correct polarity when powering up. If you want to reverse the polarity, simply press the pedal when you switch on your keyboard.

The foot pedal is normally used for sustaining the sound you are playing without having to keep your fingers pressing down the keys. This is similar to an acoustic piano's sustain pedal function.

Advanced Features in Edit Mode

8

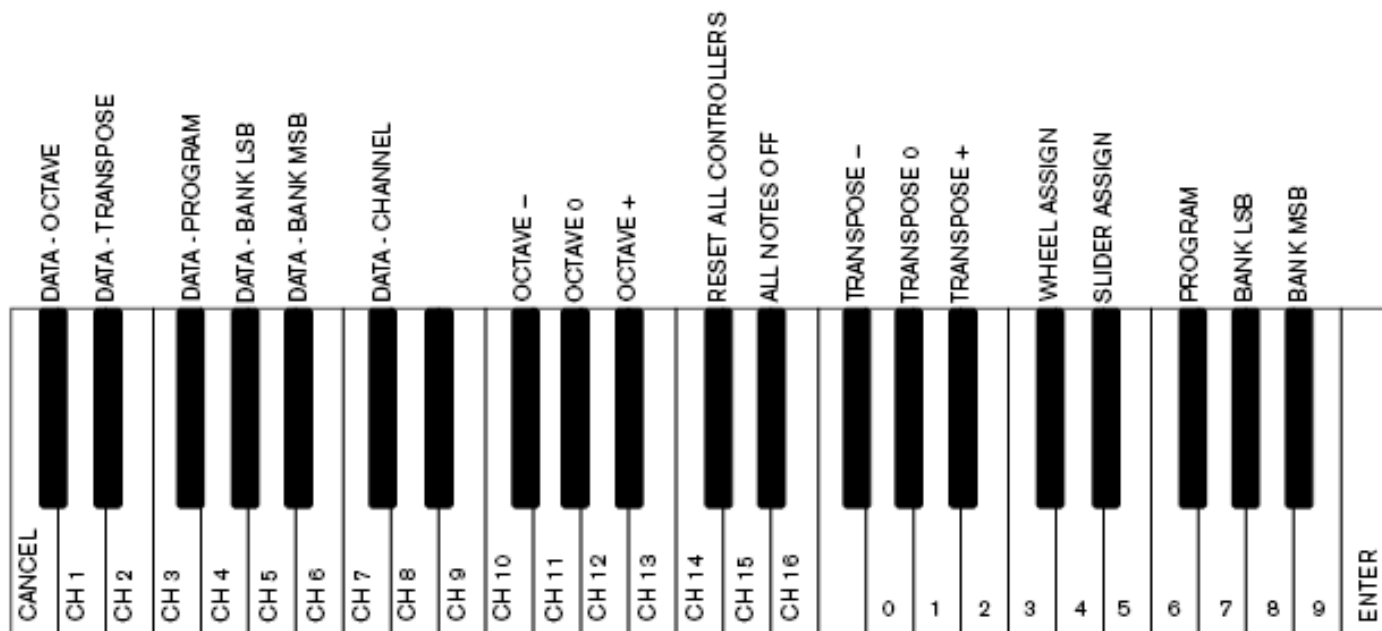
The button to the left of the keys labeled "Edit Mode" is used to access additional advanced functions of the keyboard. When this button is pressed, the keyboard will enter Edit mode and the keys on the keyboard can be used to select functions and enter data.

The light above the Edit Mode button indicates whether or not the keyboard is in Edit mode. When in Edit mode, the black keys on the keyboard are used for selecting functions, while the white keys are used for data entry and channel selection.

Your keyboard will exit Edit mode as soon as either a function is selected or the CANCEL or ENTER key is pressed. The light above the Edit Mode button will then turn off and the keyboard can then be used to play notes again. Some functions do not require any additional data entry. When these functions are selected, the keyboard will automatically exit Edit mode and return to Performance mode.

Note: *Not every music application can process all types of MIDI messages KeyStudio is capable of sending. Please consult your software's documentation for information on what messages it can accept.*

Advanced Functions in Edit Mode



Octave Buttons Options

The Octave “<” and “>” buttons can be assigned to control one of six possible MIDI functions:

- Octave Shift
- Program Change
- Bank MSB
- Transpose
- Bank LSB
- MIDI Channel Change

In the diagram above, the first six black keys are labeled “DATA = OCTAVE, DATA = TRANSPOSE, DATA = PROGRAM, DATA = BANK LSB, DATA = BANK MSB, and DATA = CHANNEL.” These keys are used to select the desired alternate function of the Octave buttons.

To select an alternate function:

1. Press the Edit Mode button.
2. Press the black key that represents the function you want to assign to the Octave buttons. KeyStudio will exit Edit mode as soon as you push one of these keys.

PLEASE NOTE: Some of the functions that the Octave buttons can be used for cannot send out a value less than zero. When used to control these functions, both lights above the buttons will remain on, regardless of the current setting of that function.

The available functions of the octave buttons are:

Octave Shift

The Octave “<” and “>” buttons control octave shift by default. However, if these keys have been programmed to control another function, you may wish to re-assign them to control octave shift once again.

To assign the Octave “<” and “>” buttons to control octave shift:

1. Press the Edit Mode button.
2. Press the black key above C1 (C#1), representing DATA = OCTAVE. KeyStudio will exit Edit mode as soon as C#1 has been pressed.

Another method of shifting KeyStudio's octaves is with the use of the black keys labeled OCTAVE "+," "-", and "0" on the Advanced Functions in Edit Mode diagram. This octave shift method can be useful when the Octave buttons have been reassigned to control another MIDI function.

1. Press the Edit Mode button.
2. Press the black key below B2 (Bb2). In Edit mode, this key functions as "OCTAVE +," shifting the keyboard up one octave. It is possible to shift the keyboard up a total of four octaves.
3. Press the black key above F2 (F#2). In Edit mode, this key functions as "OCTAVE -," shifting the keyboard down one octave. It is possible to shift the keyboard down a total of three octaves.
4. Press the black key above G2 (G#2). In Edit mode, this key functions as "OCTAVE 0" to reset the octave shift to zero.
5. When you have chosen your octave shift, either press C5 representing "ENTER," or press the Edit Mode button to exit Edit mode.

Transpose

In some cases it is useful to increase or decrease the transmitted pitch by a small number of semitones rather than a whole octave. For example, you may be playing a song with a singer and the singer is having trouble hitting the high notes. In this case, you can try reducing the pitch by one or more semitones. This is achieved using a function called "Transpose."

Transpose works similar to octave shift, except the shift is not limited to multiples of 12 semi-tones. As with octave shift, there are two ways of transposing the keyboard. When in Edit mode, you can assign the Octave "<" and ">" buttons to control the transpose feature. Alternatively, you can use the black keys F#3, G#3, and Bb3 to shift the transposition. These black keys represent "TRANSCOPE -," "TRANSCOPE 0" and "TRANSCOPE +" respectively.

To assign the Octave "<" and ">" buttons to transpose:

1. Press the Edit Mode button.
2. Press the black key above D1 (D#1), representing "DATA = TRANSCOPE." KeyStudio will exit Edit mode as soon as D#1 has been pressed.

When the Octave buttons are assigned to transpose the keyboard, the lights above the buttons indicate the direction of the transposition. To return the keyboard's transpose shift to zero, press both the Octave "<" and ">" buttons at the same time.

Channel

MIDI data from the keyboard can be sent on any of 16 MIDI channels. KeyStudio's default is to transmit MIDI data on channel 1. However, certain MIDI performance or recording scenarios may require the keyboard to send data on a different channel. You can change the channel on which data is sent using the following method:

1. Press the Edit Mode button.
2. Press one of the 16 channel keys from D1 to E3, whichever one represents the channel you need. KeyStudio will exit Edit mode as soon as a channel key has been pressed.

For example, if a device specifies that you need to send data on channel 10, press the Edit Mode button, and then F2 to select channel 10. This channel is usually dedicated to drum sounds when working with GM compatible synthesizers and sound modules.

The channel can also be assigned to the Octave "<" and ">" buttons by pressing the Edit Mode button and then C#2. This will allow the Octave "<" and ">" buttons to increment or decrement through the channels. When channel 16 is reached and ">" is pressed, channel 1 will be selected. If the Octave "<" and ">" buttons are assigned to vary the channel, the lights above the buttons will not change, since it is not possible to have a channel with a negative value. Pressing both the "<" and ">" buttons together will recall KeyStudio's default, channel 1.

Program Change

Program changes are used to change the instrument or voice you are controlling with your KeyStudio. Program change messages can be beneficial when using the KeyStudio keyboard to control MIDI sound modules or synthesizers. Some music software applications support these messages, however, others do not. Check your software's User Guide to find out if it can process program change messages.

In this example, we will demonstrate how to change the instrument on a General MIDI sound module to a cello sound. To do this we need to send a program change of 42, which will select a cello sound from the General MIDI Instruments standard list (see Appendix A). There are two methods to send the program change:

1) Increment/Decrement Program Change:

1. Press the Edit Mode button.
2. Press the black key above F1 (F#1). Now the Octave "<" and ">" buttons can be used to change the program.

2) Quick Select Program Change

1. Press the Edit Mode button.
2. Press the black key above F4 (F#4), representing "program."
3. Press keys D4, then B3, then C5. This enters the combination: "4," "2," "ENTER."

Now the keyboard is set to play the GM cello sound 42 (from the General MIDI Instruments standard list). The full list of General MIDI program numbers is given in Appendix A at the end of this manual.

Method 1 is useful if you want to cycle through different instruments for the purpose of comparing and choosing which sound works best in your song. Method 2 is more useful if you want to select a specific sound patch, as is the case here.

If the Octave "<" and ">" buttons have been assigned to control the program number (Method 1), the lights above the buttons will not change, since it is not possible to have a program with a negative value. Pressing both the "<" and ">" buttons together will recall Program 0, which selects the first sound patch on any synthesizer capable of processing MIDI program changes.

Bank LSB and Bank MSB

Program changes are the most commonly used messages to change instruments and voices. However, the number of instruments accessible using only the program change MIDI command is limited to 128. Since some devices have more than 128 voices, they require a method to organize their large number of sounds into banks. These devices then access the sounds within these banks by using program change messages. See chapter "MIDI Messages Explained" for additional information. Generally, these devices use Bank LSB (Least Significant Byte) and Bank MSB (Most Significant Byte) change messages. KeyStudio can send these bank change messages in two possible ways:

1) Incremental/Decremental Bank LSB and Bank MSB Change:

1. Press the Edit Mode button.
2. Press the black key above G1 (G#1) or Bb1 (A#1), representing Bank LSB or Bank MSB respectively. Now the Octave "<" and ">" buttons can be used to change Bank LSB or Bank MSB.

2) Using the Quick Select Method:

1. Press the Edit Mode button.
2. Press the black key above G4 (G#4), or Bb4 (A#4), representing Bank LSB or Bank MSB respectively.
3. Press the white keys associated with the bank number you wish to select, and then press C5 (Enter). For example, pressing the C4 (the number 3), A3 (the number 1), and C5 (Enter) keys in this step selects bank 31.

As with Program changes, if the Octave “<” and “>” buttons are selected to vary the Bank LSB or MSB number (Method 1), the lights above the buttons will not change, since it is not possible to have a Bank with a negative value. Pressing both the “<” and “>” buttons together will recall Bank 0.

Bank change messages must be followed by a program change message in order to recall a sound. Bank change messages by themselves do not activate a sound, but only locate and access a predefined location of a set (bank) of 128 sounds.

PLEASE NOTE: Each time the keyboard is turned off, optional MIDI parameters assigned to the Octave buttons will be lost. When the keyboard is powered up, the Octave buttons will default to controlling octave shift.

Other Assignable Controllers

9

The Modulation Wheel

It is possible to assign different MIDI controller numbers to the Modulation wheel. These parameters are called MIDI continuous controllers. There are 132 (counting from and including zero to 131) MIDI continuous controllers (MIDI CC's). For these controller values to have any effect on the sound, the receiving software or device has to be able to read and respond to these MIDI controller messages. KeyStudio accepts controller numbers 0-131. Numbers beyond 127 are a proprietary method M-Audio uses to simplify the transmission of certain, otherwise more complicated multi-part MIDI messages. A full list of controller values is given at the back of this manual in Appendix B.

Some useful MIDI CC's are:

- 01 Modulation
- 07 Volume
- 10 Pan (balance)
- 05 Portamento

To assign a MIDI controller message to the Modulation wheel:

1. Press the Edit Mode button.
2. Press the black key above C4 (C#4), representing “WHEEL ASSIGN.”
3. Use the Numerical Data Entry keys G3 – B4 to enter the number of the MIDI controller you want to assign to the Modulation wheel.
4. Press the ENTER key (C5).
5. Move the Modulation wheel upwards to increase the value of the MIDI message sent.

If you make an error while entering the numerical data value, you can press the CANCEL key (C1) to exit Edit mode without changing the MIDI CC assigned to the Modulation wheel.

As an example, let's assign effect number 10 to the Modulation wheel. This means the Modulation wheel will control Pan (or balance). To do this:

1. Press the Edit Mode button.
2. Press the black key above C4 (C#4), representing "WHEEL ASSIGN."
3. Press A3 to enter "1."
4. Press G3 to enter "0" so you have entered "10."
5. Press C5 for "ENTER."

The Volume Slider

As with the Modulation wheel, the Volume slider can also be assigned to any of the 132 controllers (0-131) shown at the back of this manual.

To assign the Volume slider to a certain MIDI parameter:

1. Press the Edit Mode button.
2. Press the black key above D4 (D#4), representing "SLIDER ASSIGN."
3. Use the Numerical Data Entry keys G3 – B4 to enter the number of the controller value you want to assign to the Volume slider.
4. Press the ENTER key (C5).

If you make an error while entering the numerical data value, you can press the CANCEL key (C1) to exit Edit mode without changing the MIDI CC assigned to the Volume slider.

PLEASE NOTE: Each time the keyboard is turned off, optional MIDI parameters assigned to the Volume slider or Modulation wheel will be lost. Each time the keyboard is powered up, the Volume slider will default to being assigned to Volume (MIDI CC 07), and the Modulation wheel will default to being assigned to modulation (MIDI CC 01).

MIDI Messages In-Depth

10

Program & Bank Changes

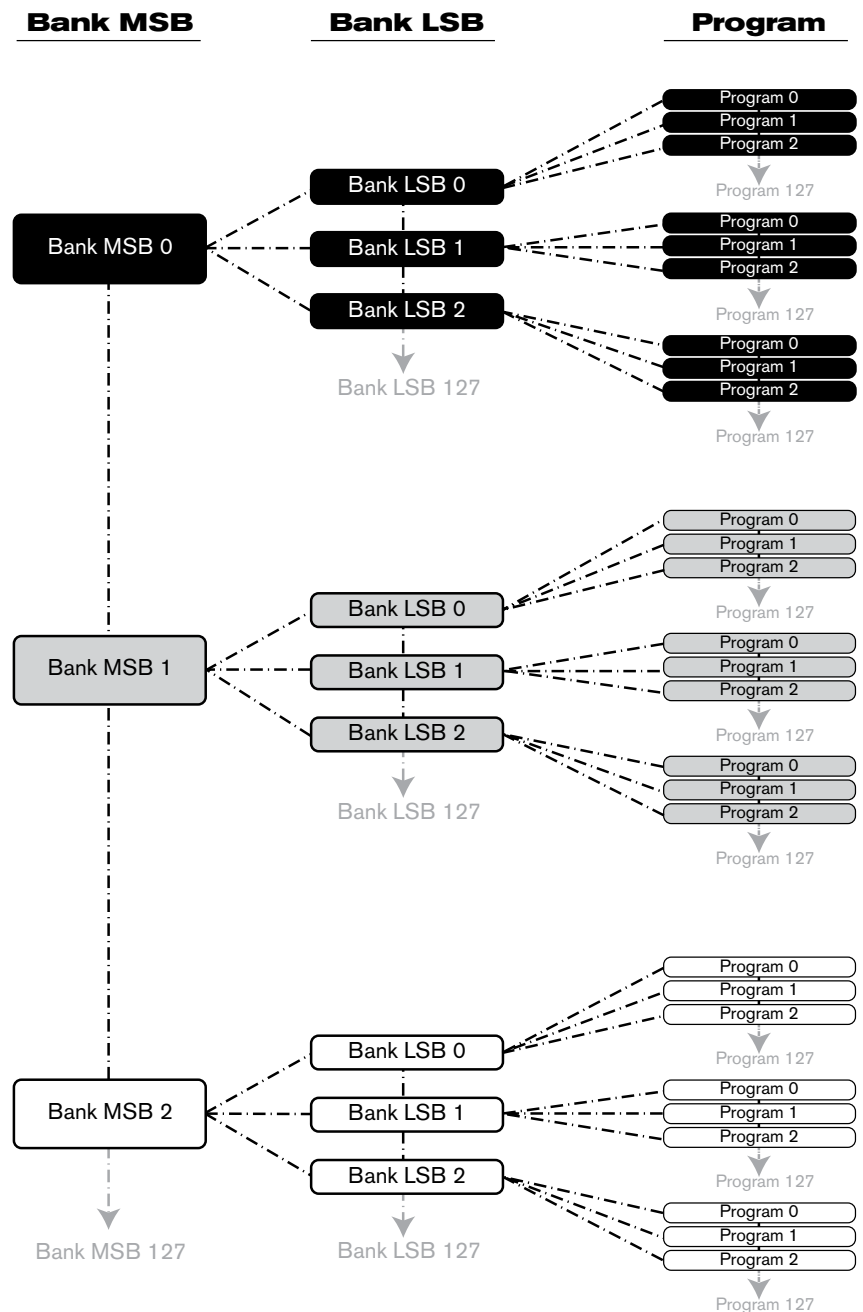
When the MIDI standard was first established, it enabled the user to access only 128 different sounds using program change messages (0-127). As MIDI devices grew to be more sophisticated and contain more sounds, bank change messages were included in an updated MIDI specification to allow for more than 128 sounds to be accessed.

The language MIDI uses to communicate between musical instruments only allows for program change commands 0-127, for a total of 128 possible programs (127 programs + program "0" = 128 programs total). Because of inherent limitations of the MIDI communication protocol, the number of directly accessible programs (using program change messages) cannot easily be expanded beyond 128. Thus, a system of banks, with 128 sounds in each, has been created that enables manufacturers to overcome the 128-sound MIDI limit.

128 banks with 128 sounds in each bank is the basic principle used to expand the number of accessible sounds. However, to avoid reaching the new limit of the resulting 16,384 possible sounds (128 banks x 128 programs) accessible using a bank change combined with a program change, another layer of banks was added. The result is a system of 128 banks that can contain 128 sub-banks in each of them, which, in turn, can contain 128 sounds (programs) within them.

Bank change messages are useful when calling up sounds from a large library that may exist in a particular sound module or software synth. For example devices that are built with Roland's GS specification or Yamaha's XG specification require you to specify a bank change in order to access the extra voices and effects that these devices provide.

MIDI CC 0 is the bank select MSB (Most Significant Byte) message. This MIDI message is 7-bit in size and can be used to select any of 128 banks. This message can be used in conjunction with MIDI CC 32 which is bank select LSB (Least Significant Byte): a separate 7-bit message allowing additional selection of any of another 128 sub-banks. The combination of Bank MSB and LSB messages gives a 14-bit message that can select any of a possible 16,384 banks. Each bank can in turn contain 128 possible sounds selected via a separate program change MIDI message. This enables a user to theoretically recall over two million programs directly, using only MIDI commands. However, most devices only use a few different banks, and allow you to access them with either a Bank LSB message or a Bank MSB message. Please consult your synthesizer's or software's documentation for more information on which type of bank change messages it can process.



You will find many MIDI devices respond to program change commands and many are organized according to the GM listing. In General MIDI devices, different sounds are organized in the same way from device to device. Piano sounds are in their particular place, string sounds are in their place, drum sounds are in their place, and so on. All GM devices (both hardware and software sound modules) are clearly labeled as such, so you know that their sounds are organized in the General MIDI structure. When a GM device receives a MIDI program change, it calls up a type of sound that you expect from the GM sound set. All non-GM MIDI sound modules call up unique sounds from their memory upon receiving MIDI program changes. Since the sounds in a non-GM device are not arranged in a particular order, you need to take a look at the device itself to see which sound you want and at which location in the memory it resides. Many VST instruments such as Native Instruments' FM7 or the synth modules in Propellerhead Reason are non-GM devices.

You can send program change, bank LSB and bank MSB messages directly from the KeyStudio keyboard. Please consult the "Advanced KeyStudio Features in Edit Mode" section of this User Guide for further details.

NRPN/RPNs

Non-registered parameter numbers (NRPN's) are device-specific messages that enable you to control synths and sound modules via MIDI. The MIDI specification defines open parameter numbers to allow manufacturers to specify their own controllers. The more common of these are registered by the MIDI Manufacturer's Association and are now part of the MIDI specification (hence the term Registered Parameter Numbers – RPN's). (See Appendix B) Each NRPN/RPN has an associated 2-byte number. The two bytes allow for 128 values each. (An RPN or NRPN message is made up of two parts: the MSB and the LSB message. Both of these messages together constitute an RPN or NRPN command.) This allows for 16,384 values in total.

MIDI controllers 98 and 99 represent the NRPN LSB and MSB respectively, while 100 and 101 represent the RPN LSB and MSB messages (see the MIDI controllers list in Appendix B). To transmit an NRPN/RPN message, these LSB and MSB controller messages are sent along with their user-specified values. A further controller message and value needs to be sent to specify the (coarse or fine) value adjustment. This is specified by controller number 6 (data entry) for coarse adjustments or number 38 for fine adjustments.

A list of NRPN's is usually given in the user's manual of any device that receives NRPN messages. It is always necessary that the NRPN MSB and LSB be sent together. Both will be specified in the device's manual.

Troubleshooting

11

KeyStudio has been tested in a wide range of systems and operating conditions. However, there are virtually limitless numbers of operating scenarios, any of which could affect your system's performance. Though this section cannot cover all possible situations you may encounter, we would like to offer some suggestions for dealing with possible problems. If you are still not able to find the answer you are looking for, please feel free to contact M-Audio technical support for further assistance.

Problem 1: My KeyStudio suddenly stopped working after having performed fine since installation.

Solution 1: Close any music applications you are using, switch KeyStudio off, and restart your computer. Once your computer has completely restarted, switch KeyStudio back on.

Problem 2: I have connected a sustain pedal to my M-Audio keyboard, but its function is reversed.

Solution 2: The polarity of the sustain pedal is calculated by the keyboard when it is powered up. On power up, the sustain pedal is assumed to be in the OFF position. If you want the sustain pedal to be off when it is not pressed, make sure the pedal is not pressed when you power up. Also check to see if there is a polarity switch on your foot pedal. It is possible to use this switch to change foot pedal polarity as well. Another way to reverse the sustain pedal's polarity is to keep it pushed while powering on your KeyStudio keyboard.

Problem 3: KeyStudio does not trigger sounds in my music software application.

Solution 3: Be sure KeyStudio is selected as the MIDI input device within your software.

Problem 4: I cannot locate the KeyStudio USB keyboard in my software's MIDI devices dialog box.

Solution 4: KeyStudio requires a powered USB port. Try plugging KeyStudio into a different USB port or powered USB hub connected to your computer.

Problem 5: My synthesizer always recalls the sound next to the program number that I have sent to it from KeyStudio. For example, if I send a program change with the number 40 (Violin), my software loads sound number 41 (Viola).

Solution 5: Some General MIDI modules count their sound patches from 1 – 128 instead of 0-127. Both methods are common. As a result, and depending on the sound module you use, there may be an offset of +/-1 between the sent program change number and the recalled sound patch.

Useful MIDI-Specific Troubleshooting Features

12

KeyStudio has been designed to make working with MIDI on your computer as simple as possible. However, sometimes things can go wrong. To counter this, there are two useful MIDI functions.

All Notes Off

Use this if you find there are sustaining notes that you cannot stop. To send an “All Notes Off” MIDI message:

1. Press the Edit Mode button.
2. Press the black key above D3 (D# 3), representing “ALL NOTES OFF.”
3. Edit mode will exit, and there will no longer be any sustaining notes.

Reset All Controllers

If one or more of the loaded sound patches doesn't sound as expected, then it may mean that a MIDI CC has applied an undesired effect or other type of sound modulation to that voice. If you are unsure which MIDI controller to adjust to eliminate the effect, you can send a “Reset All Controllers” MIDI message to set all controller values to their defaults. To send a Reset All Controllers message:

1. Press the Edit Mode button.
2. Press the black key above C3 (C# 3), representing “RESET ALL CONTROLLERS.”
3. Edit mode will exit, and all controller values will be reset to their default values.

Appendices - Useful MIDI Data

13

Appendix A - General MIDI Instruments

PLEASE NOTE: The following table lists all General MIDI patch names using numbers from 0 – 127. Be advised that some GM modules count their sound patches from 1 – 128 instead. Both methods are common. As a result, and depending on the sound module you use, there may be an offset of -1 between the sent program change number and the recalled sound patch.

Piano	Bass	Reed	Synth Effects
0 Acoustic Grand Piano	32 Acoustic Bass	64 Soprano Sax	96 SFX Rain
1 Bright Acoustic Piano	33 Electric Fingered Bass	65 Alto Sax	97 SFX Soundtrack
2 Electric Grand Piano	34 Electric Picked Bass	66 Tenor Sax	98 SFX Crystal
3 Honky Tonk Piano	35 Fretless Bass	67 Baritone Sax	99 SFX Atmosphere
4 Electric Piano 1	36 Slap Bass 1	68 Oboe	100 SFX Brightness
5 Electric Piano 2	37 Slap Bass 2	69 English Horn	101 SFX Goblins
6 Harpsichord	38 Syn Bass 1	70 Bassoon	102 SFX Echoes
7 Clavinet	39 Syn Bass 2	71 Clarinet	103 SFX Sci-Fi
Chromatic Percussion	Strings/ Orchestra	Pipe	Ethnic
8 Celesta	40 Violin	72 Piccolo	104 Sitar
9 Glockenspiel	41 Viola	73 Flute	105 Banjo
10 Music Box	42 Cello	74 Recorder	106 Shamisen
11 Vibraphone	43 Contrabass	75 Pan Flute	107 Koto
12 Marimba	44 Tremolo Strings	76 Bottle Blow	108 Kalimba
13 Xylophone	45 Pizzicato Strings	77 Shakuhachi	109 Bag Pipe
14 Tubular bells	46 Orchestral Harp	78 Whistle	110 Fiddle
15 Dulcimer	47 Timpani	79 Ocarina	111 Shanai
Organ	Ensemble	Synth Lead	Percussive
16 Drawbar Organ	48 String Ensemble 1	80 Syn Square Wave	112 Tinkle Bell
17 Percussive Organ	49 String Ensemble 2 (Slow)	81 Syn Sawtooth Wave	113 Agogo
18 Rock Organ	50 Syn Strings 1	82 Syn Calliope	114 Steel Drums
19 Church Organ	51 Syn Strings 2	83 Syn Chiff	115 Woodblock
20 Reed Organ	52 Choir Aahs	84 Syn Charang	116 Taiko Drum
21 Accordion	53 Voice Oohs	85 Syn Voice	117 Melodic Tom
22 Harmonica	54 Syn Choir	86 Syn Fifths Sawtooth Wave	118 Syn Drum
23 Tango Accordion	55 Orchestral Hit	87 Syn Brass & Lead	119 Reverse Cymbal
Guitar	Brass	Synth Pad	Sound Effects
24 Nylon Acoustic	56 Trumpet	88 New Age Syn Pad	120 Guitar Fret Noise
25 Steel Acoustic	57 Trombone	89 Warm Syn Pad	121 Breath Noise
26 Jazz Electric	58 Tuba	90 Polysynth Syn Pad	122 Seashore
27 Clean Electric	59 Muted Trumpet	91 Choir Syn Pad	123 Bird Tweet
28 Muted Electric	60 French Horn	92 Bowed Syn Pad	124 Telephone Ring
29 Overdrive	61 Brass Section	93 Metal Syn Pad	125 Helicopter
30 Distorted	62 Syn Brass 1	94 Halo Syn Pad	126 Applause
31 Harmonics	63 Syn Brass 2	95 Sweep Syn Pad	127 Gun Shot

Appendix B - Standard MIDI Controller Numbers (MIDI CC's)

00 Bank Select	40 Balance LSB	80 Gen Purpose 5	Channel Mode Messages:
01 Modulation	41 Controller 41	81 Gen Purpose 6	120 All Sound off
02 Breath Control	42 Pan LSB	82 Gen Purpose 7	121 Reset all Controllers
03 Controller 3	43 Expression LSB	83 Gen Purpose 8	122 Local Control
04 Foot Control	44 Controller 44	84 Portamento Control	123 All Notes Off
05 Porta Time	45 Controller 45	85 Controller 85	124 Omni Off
06 Data Entry	46 Controller 46	86 Controller 86	125 Omni On
07 Channel Volume	47 Controller 47	87 Controller 87	126 Mono On (Poly Off)
08 Balance	48 Gen Purpose 1 LSB	88 Controller 88	127 Poly On (Mono Off)
09 Controller 9	49 Gen Purpose 2 LSB	89 Controller 89	
10 Pan	50 Gen Purpose 3 LSB	90 Controller 90	Extra RPN Messages:
11 Expression	51 Gen Purpose 4 LSB	91 Reverb Depth	128 Pitch Bend sensitivity
12 Effects Controller 1	52 Controller 52	92 Tremelo Depth	129 Fine Tune
13 Effects Controller 2	53 Controller 53	93 Chorus Depth	130 Coarse Tune
14 Controller 14	54 Controller 54	94 Celeste (De- tune)	131 Channel Pressure
15 Controller 15	55 Controller 55	95 Phaser Depth	
16 Gen Purpose 1	56 Controller 56	96 Data Increment	
17 Gen Purpose 2	57 Controller 57	97 Data Decrement	
18 Gen Purpose 3	58 Controller 58	98 Non- Reg Param LSB	
19 Gen Purpose 4	59 Controller 59	99 Non- Reg Param MSB	
20 Controller 20	60 Controller 60	100 Reg Param LSB	
21 Controller 21	61 Controller 61	101 Reg Param MSB	
22 Controller 22	62 Controller 62	102 Controller 102	
23 Controller 23	63 Controller 63	103 Controller 103	
24 Controller 24	64 Sustain Pedal	104 Controller 104	
25 Controller 25	65 Portamento	105 Controller 105	
26 Controller 26	66 Sostenuto	106 Controller 106	
27 Controller 27	67 Soft Pedal	107 Controller 107	
28 Controller 28	68 Legato Pedal	108 Controller 108	
29 Controller 29	69 Hold 2	109 Controller 109	
30 Controller 30	70 Sound Variation	110 Controller 110	
31 Controller 31	71 Resonance	111 Controller 111	
32 Bank Select LSB	72 Release Time	112 Controller 112	
33 Modulation LSB	73 Attack Time	113 Controller 113	
34 Breath Control LSB	74 Cut- off Frequency	114 Controller 114	
35 Controller 35	75 Controller 75	115 Controller 115	
36 Foot Control LSB	76 Controller 76	116 Controller 116	
37 Porta Time LSB	77 Controller 77	117 Controller 117	
38 Data Entry LSB	78 Controller 78	118 Controller 118	
39 Channel Volume LSB	79 Controller 79	119 Controller 119	

Appendix C - Additional RPN Messages

You may have noticed that although we have stated there are 128 MIDI controller messages (0 – 127), Appendix B shows 132 assignable controller messages. This is because messages 128 – 131 are a different type of MIDI message, defined in the MIDI Specification as RPN messages. M-Audio has created four messages that are sent like MIDI CCs, but actually transmit a series of RPN messages. This makes sending these complex multi-part messages as easy as sending a MIDI CC message. You can assign these to the controls on your KeyStudio keyboard in exactly the same way as any other MIDI controller message. The RPN messages control the following:

Controller Number	MIDI Message	Use
128	Pitch Bend Sensitivity	Alters the range of a pitch bend message
129	Master Tune (coarse)	Adjusts the tuning of your sound module or synthesizer in large steps
130	Master Tune (fine)	Adjusts the tuning of your sound module or synthesizer in small steps
131	Monophonic Aftertouch*	Adds a vibrato effect

**Monophonic aftertouch is not an RPN message. However, it is an additional effect message defined in the General MIDI specification and this is why we have included it in Appendix C.*

Warranty

14

Warranty Terms

M-Audio warrants products to be free from defects in materials and workmanship, under normal use and provided that the product is owned by the original, registered user. Visit www.m-audio.com/warranty for terms and limitations applying to your specific product.

Warranty Registration

Immediately registering your new M-Audio product entitles you to full warranty coverage and helps M-Audio develop and manufacture the finest quality products available. Register online at www.m-audio.com/register to receive FREE product updates and for the chance to win M-Audio giveaways.

Technical Info

15

Caution: Electro Static Discharge, Electrical Fast Transient and Conducted RF interference may cause the unit malfunctioning. In such case, unplug the unit and plug it in again to restore normal operation.

Note: Your M-Audio product has been tested to comply with FCC Standards FOR HOME OR OFFICE USE. Modifications not authorized by the manufacturer may void user's authority to operate this device.

Note: This equipment has been tested and found to comply with the limits for a Class B digital device, pursuant to Part 15 of the FCC Rules. These limits are designed to provide reasonable protection against harmful interference in a residential installation. This equipment generates, uses and can radiate radio frequency energy and, if not installed and used in accordance with the instructions, may cause harmful interference to radio communications. However, there is no guarantee that interference will not occur in a particular installation. If this equipment does cause harmful interference to radio or television reception, which can be determined by turning the equipment off and on, the user is encouraged to try to correct the interference by one or more of the following measures:

- Re-orient or relocate the receiving antenna.
- Increase the separation between the equipment and receiver.
- Connect the equipment to an outlet on a different circuit from that to which the receiver is connected.
- Consult the dealer or an experienced radio/ TV technician for help.

ASIO is a trademark of Steinberg Soft- und Hardware GmbH.

VST is a trademark of Steinberg Soft- und Hardware GmbH



WARNING: This product contains chemicals, including lead, known to the State of California to cause cancer, and birth defects or other reproductive harm. **Wash hands after handling.**

© 2007 Avid Technology, Inc. All rights reserved. Product features, specifications, system requirements and availability are subject to change without notice. Avid, KeyStudio and M-Audio are either trademarks or registered trademarks of Avid Technology, Inc. All other trademarks contained herein are the property of their respective owners.

M-Audio USA 5795 Martin Rd., Irwindale, CA 91706	
Technical Support	
web:	www.m-audio.com/tech
tel (pro products):	(626) 633-9055
tel (consumer products):	(626) 633-9066
fax (shipping):	(626) 633-9032
Sales	
e-mail:	sales@m-audio.com
tel:	1-866-657-6434
fax:	(626) 633-9070
Web	www.m-audio.com

M-Audio U.K. Floor 6, Gresham House, 53 Clarendon Road, Watford WD17 1LA, United Kingdom	
Technical Support	
e-mail:	support@maudio.co.uk
tel:(Mac support):	+44 (0)1765 650072
tel:(PC support):	+44 (0)1309 671301
Sales	
tel:	+44 (0)1923 204010
fax:	+44 (0)1923 204039
Web	www.maudio.co.uk

M-Audio France Floor 6, Gresham House, 53 Clarendon Road, Watford WD17 1LA, United Kingdom	
Renseignements Commerciaux	
tel :	0 810 001 105
e-mail :	info@m-audio.fr
Assistance Technique	
PC :	0 820 000 731
MAC :	0 820 391 191
Assistance Technique	
e-mail :	support@m-audio.fr mac@m-audio.fr
fax :	+33 (0)1 72 72 90 52
Site Web	www.m-audio.fr

M-Audio Germany Kuhallmand 34, D-74613 Ohringen, Germany	
Technical Support	
e-mail:	support@m-audio.de
tel	+49 (0)7941 - 9870030
fax:	+49 (0)7941 98 70070
Sales	
e-mail:	info@m-audio.de
tel:	+49 (0)7941 98 7000
fax:	+49 (0)7941 98 70070
Web	www.m-audio.de

M-Audio Canada 1400 St-Jean Baptiste Ave. #150, Quebec City, Quebec G2E 5B7, Canada	
Technical Support	
e-mail:	techcanada@m-audio.com
phone:	(418) 872-0444
fax:	(418) 872-0034
Sales	
e-mail:	infocanada@m-audio.com
phone:	(866) 872-0444
fax:	(418) 872-0034
Web:	www.m-audio.ca

M-Audio Japan アビッドテクノロジー株式会社 エムオーディオ事業部 : 〒460-0002 愛知県名古屋市中区丸の内 2-18-10 Avid Technology K.K. : 2-18-10 Marunouchi, Naka-Ku, Nagoya, Japan 460-0002	
カスタマーサポート (Technical Support)	
e-mail :	win-support@m-audio.jp
e-mail (Macintosh 環境専用):	mac-support@m-audio.jp
tel :	052-218-0859 (10:00~12:00/13:00~17:00)
セールスに関するお問い合わせ (Sales)	
e-mail:	info@m-audio.jp
tel:	052-218-3375
fax:	052-218-0875
Web:	www.m-audio.jp