

KT4 ASSEMBLY INSTRUCTIONS

Caution !

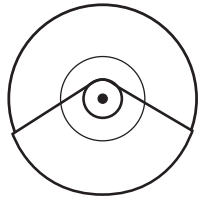
Watch your fingers when adjusting clamps. They may become pinched resulting in injury. Be careful around pipe ends, inside the pipe and screw ends. Metal shavings, etc. May injure your fingers.

Inside This Package

Before assembly, please make sure that all the items listed below are present.

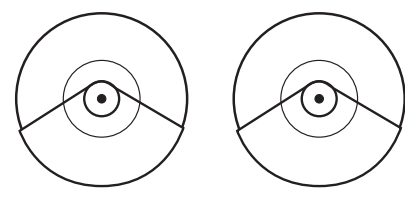
[14" CYMBAL PAD] BOX

14" Cymbal Pad x 1



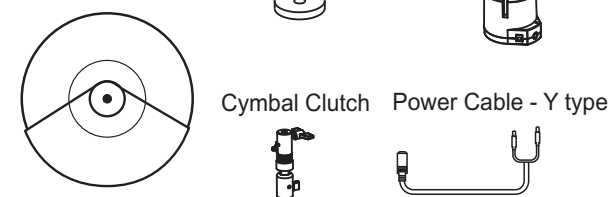
[12" CYMBAL PADS] BOX

12" Cymbal Pads x 2



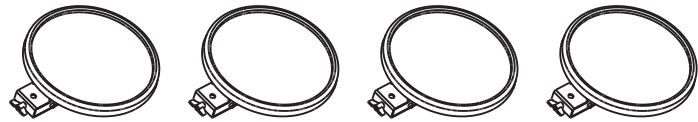
[12" Hi-Hat] BOX

12" Hi-Hat Cymbal Pad x 1 Hi-Hat cup Felt Hi-Hat Controller



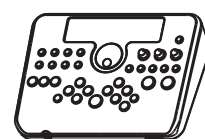
[11" DRUM PADS] BOX

11" Drum Pad x 4



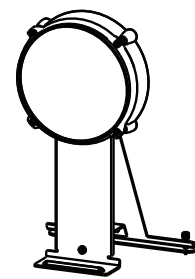
[DRUM MODULE] BOX

Module



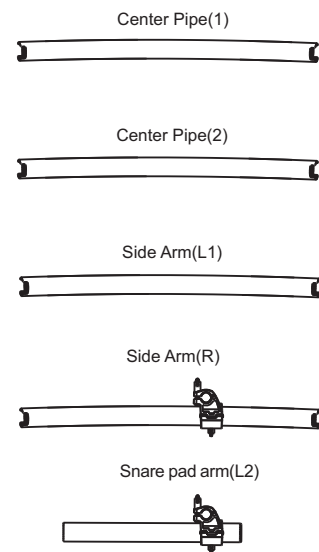
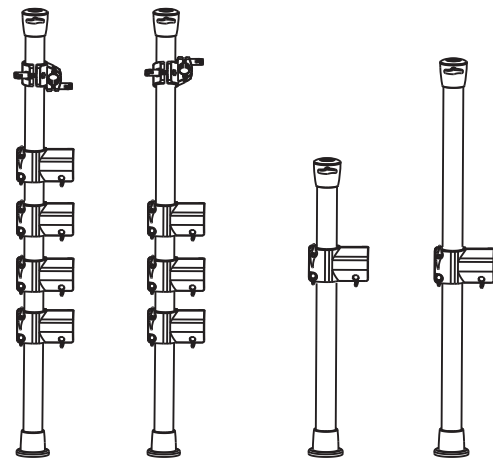
[KICK PAD] BOX

Kick Pad



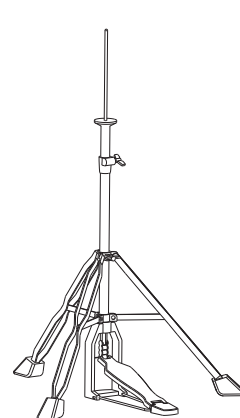
DRUM RACK

Pillar(L1) Pillar(R1) Pillar(L2) Pillar(R2)

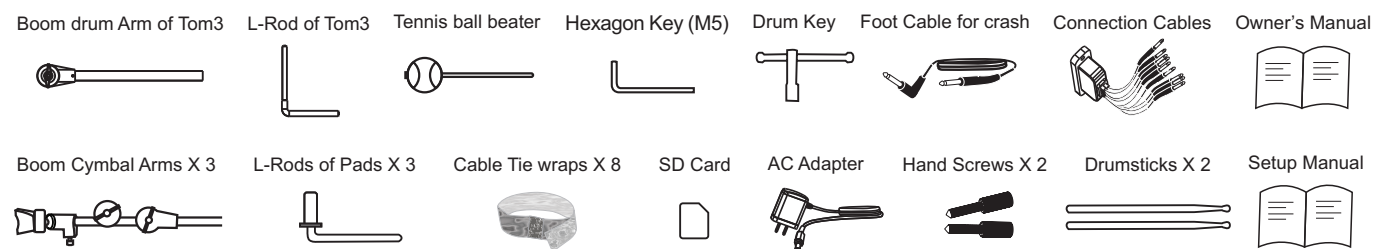


[Hi-Hat Stand] BOX

Hi-Hat Stand



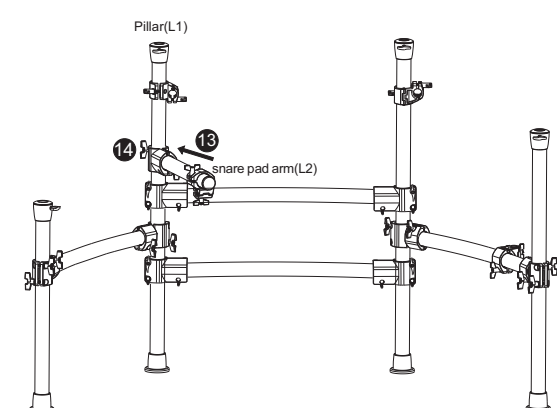
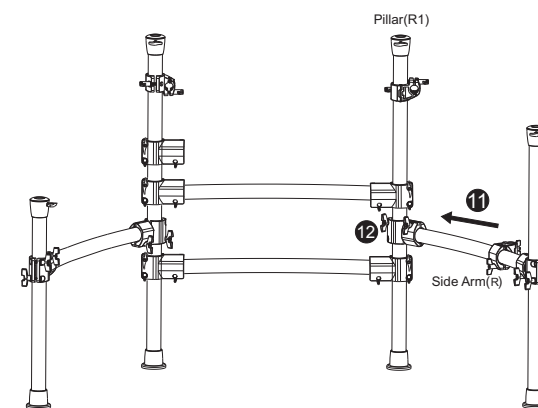
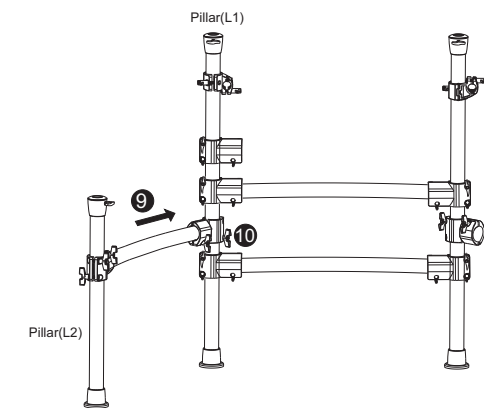
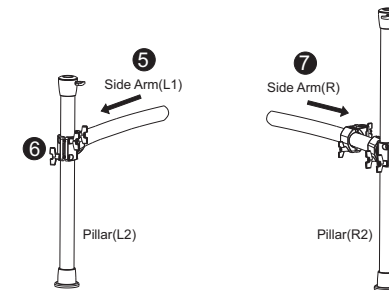
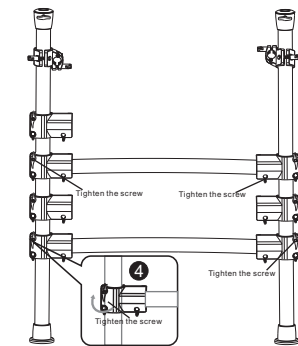
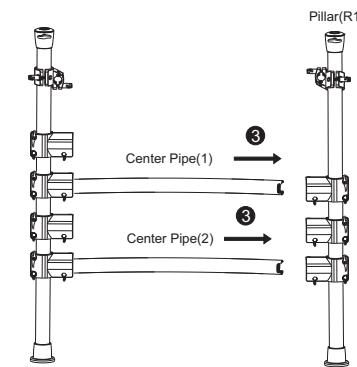
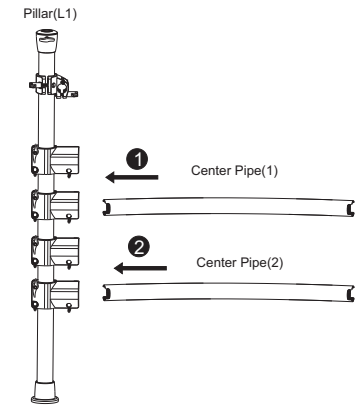
ACCESSORY BOX



Assembly

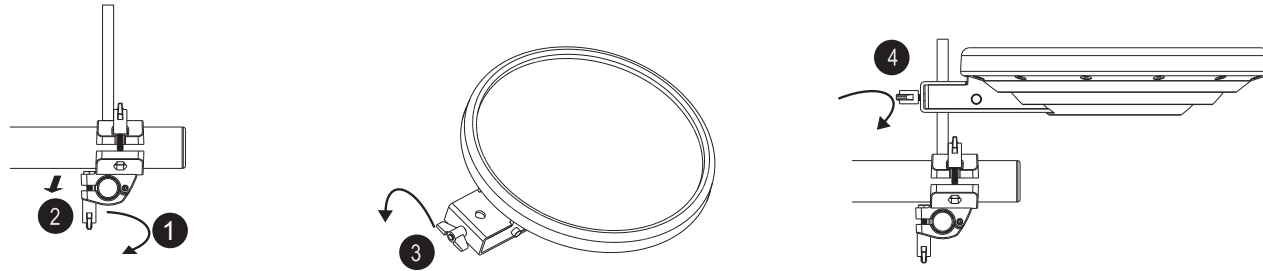
1 Setting up the KT4 drum rack

- [1] Attach the Center Pipe(1) to the clamp on the front left vertical pillar(L1)
- [2] Attach the Center Pipe(2) to the clamp on the front left vertical pillar(L1)
- [3] Attach the Center Pipe(1)(2) to the clamp on the front right vertical pillar(R1)
- [4] Using the wing nut tighten the screws on the clamp.
- [5] Attach the side arm (L1) to the clamp on the back left side vertical pillar(L2)
- [6] Tighten the screws on the clamp.
- [7] Attach the side arm (R) to the clamp on the back right side vertical pillar(R2)
- [8] Tighten the screws on the clamp.
- [9] Attach the side arm(L1) to the clamp on the front left vertical pillar(L1)
- [10] Tighten the screws on the clamp.
- [11] Attach the side arm(R) to the clamp on the front right vertical pillar(R1)
- [12] Tighten the screws on the clamp.
- [13] Attach the snare pad arm(L2) to the clamp on the front left vertical pillar(L1)
- [14] Tighten the screws on the clamp.



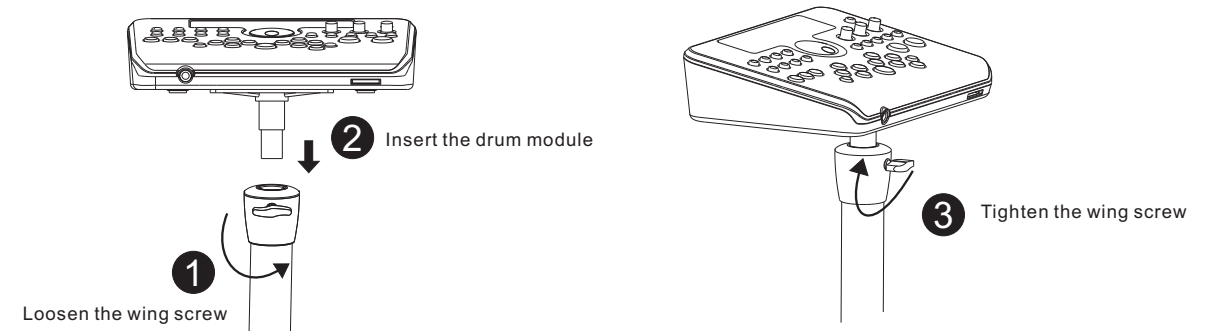
Attaching pads to rack

- Loosen L-rod wing nuts on drum pad clamp.
- Insert textured plastic end of L-rod into tom clamp and tighten wing nuts. Repeat for each drum pad clamp.
- Loosen wing nut on pad.
- Attach pads to L-rods and tighten wing nuts. Repeat for each pad.



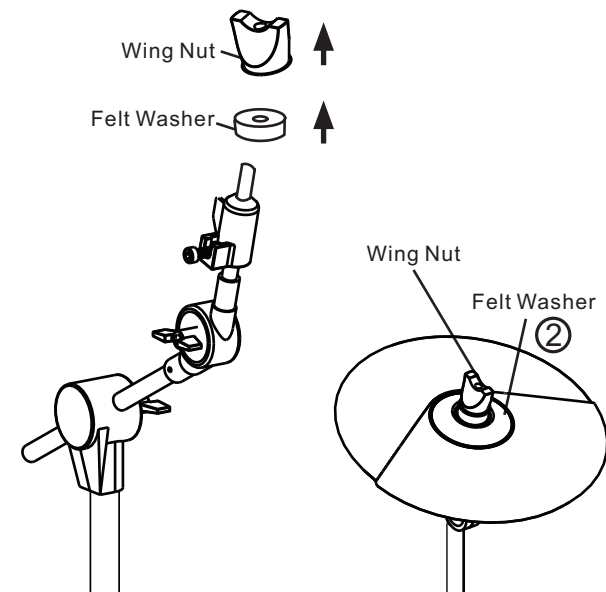
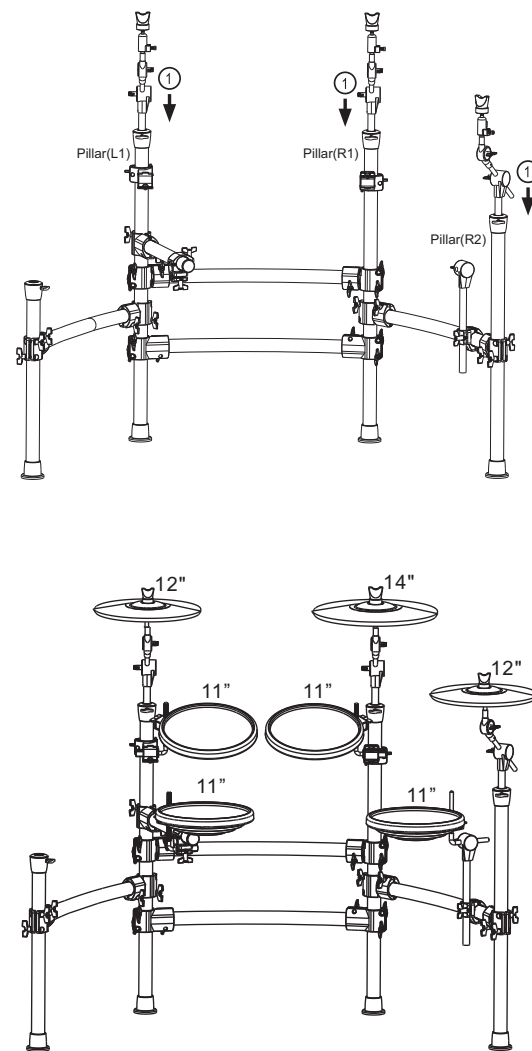
Attaching module

- Loosen the wing screw on the clamp
- Insert the drum module to the clamp
- Tighten the wing screw on the clamp



Attaching cymbals

- Insert each boom cymbal arm into pillar(L1) and pillar(R1,R2).
 - Remove wing nut and felt washer from cymbal tilter. Place cymbal pad on tilter assembly.
 - Re-attach the felt washer and wing nut. Tighten wing nut.
- Note: Cymbals are arranged as follows:
 12" crash on left-side boom arm, 14" ride on right-side boom arm,
 12" crash2 on right-side boom arm.



Bass drum and Hi-Hat pedal

- Place the kick pad on the floor in the center of rack. Attach your kick pedal to the kick pad.
- Place the Hi-Hat stand with actuator and pad attached on the floor on your left side.
- Please connect the clearly marked cables from the pads to the correct inputs on the drum module, and you are ready to play!

