

ConnectAUDIO^{2/4}TM

User Manual



Table of Contents

Introduction	4
Quick Start	4
Features	4
In the Box	5
System Requirements	6
PC	6
Mac	6
iOS	6
Safety Instructions and Precautions	7
Hardware Connections	8
Front Panel	8
Rear Panel	9
Controls	10
Interactive Touch Panel Display	10
Meter Modes and Levels	10
Getting Started	11
Audio Driver Installation	11
Mac and iOS devices	11
Windows systems	11
Setting Up the Interface	12
Setting the Output/Phones Level	12
Out/Phones Meter Modes	13
Setting Up Inputs	13
Assigning Input Modes	13
Input Display States	14
Setting Input Levels	14
Input Meter Modes	15
Direct Monitoring	15
How to Enable Direct Monitoring	15
Working with Direct Monitoring: Mono/Stereo Modes	15
Working with Direct Monitoring: Adjusting the Input/USB Balance	16
Additional Notes About Direct Monitoring	17
Headphone Source Selection	17
Troubleshooting	17
Reference: Audio Specifications	19

Digital Performance	19
Microphone Inputs	19
Line/Instrument Inputs (Balanced Input)	19
Line/Instrument Inputs (Single Ended Input)	19
Line Outputs	19
Headphone	20
Reference: Direct Monitoring States	21
Contact iConnectivity	41
Warranty	41

Introduction

Thank you for purchasing the **ConnectAUDIO^{2/4}** Audio/MIDI Interface. Your **ConnectAUDIO^{2/4}** is a member of the most flexible interface line available, with unique features that make it ideal for the stage, studio, and club.

Quick Start

The Quick Start Guide included in your **ConnectAUDIO^{2/4}** box is a handy primer for getting up and running with this versatile interface. You can also jump to the [Getting Started](#) section of this manual to start using the **ConnectAUDIO^{2/4}** right away.

Features

Features of the **ConnectAUDIO^{2/4}** include:

- High-resolution audio: up to 24-bit/96kHz AD/DA conversion
- Direct Monitoring capability that allows you to monitor input sources without computer latency
- Interactive touch panel display for touch-control of all interface functionality
- USB audio and MIDI class-compliant
- USB bus-powered
- Two XLR - 1/4" combination mic/line/instrument analog inputs, with +48V phantom power toggle and line/instrument mode selection
- Two 1/4" TRS balanced analog outputs
- 1/4" stereo headphone output with independent mix control
- 5-pin MIDI DIN in/out
- +48V phantom power for condenser microphones

In the Box

- The **ConnectAUDIO^{2/4}** Audio/MIDI interface
- (1) USB cable for connecting your **ConnectAUDIO^{2/4}** to a Mac or PC
- **ConnectAUDIO^{2/4}** Quick Start Guide



System Requirements

Visit www.iConnectivity.com/support for the most up-to-date compatibility requirements, as these are subject to change.

PC

- Windows 7 or higher
- (1) free USB port

Mac

- Mac OSX 10.8 or higher
- (1) free USB port

iOS

- iOS 6.0 or higher
- Apple Lightning-to-USB 3 Camera Adaptor



Mac and the Mac logo are trademarks of Apple Inc., registered in the U.S. and other countries.

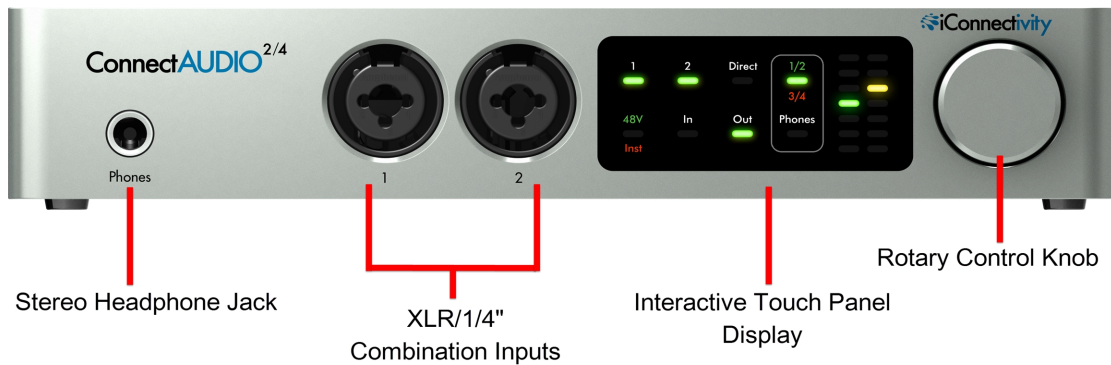
ConnectAUDIO^{2/4} and iConnectivity are trademarks of iKingdom Corp. Features of this product are protected under patent pending. For more details, refer to: <http://www.iConnectivity.com/patents>.

Safety Instructions and Precautions

<p>Interference with other electrical devices Radios and televisions placed nearby may experience reception interference. Operate this unit at a suitable distance from radios and televisions.</p> <p>Indoor use only To avoid the risk of electrocution and/or damage to other connected equipment, this equipment must not be used under wet or high moisture conditions. All interconnecting cabling must also be indoors. Should moisture suddenly increase, immediately disconnect power to the equipment.</p> <p>Power sources Ensure that correctly rated power outlets are used with the supplied power supply.</p> <p>Heat Keep this equipment away from all heat sources. Ensure that sufficient ventilation and/or heat dissipation is provided for the equipment and all connected devices.</p> <p>Packaging Keep all packaging materials away from children. Properly dispose of unwanted packaging.</p> <p>Handling To avoid breakage, do not apply excessive force to the switches, connectors or directly to the equipment. Do not apply excessive bending force to the cables. Use the connector casings of cables to attach and detach cables from their receptacles to avoid damage to the cable and/or its receptacles.</p> <p>Ingestion Do not ingest the packaging, equipment, attachments, or accessories. Do not ingest paint or removed parts from the equipment or accessories. If this occurs, immediately seek medical attention.</p> <p>Care If the exterior becomes dirty, wipe with a clean, dry cloth. Do not use liquid cleaners such as benzene or thinner, or cleaning compounds or flammable polishes.</p> <p>Keeping foreign matter out of your equipment Never set any container with liquid in it near this equipment. If liquid gets into the equipment, it could cause electrical damage, breakdown, fire, or electrical shock. Be careful not to let metal objects get into the equipment.</p> <p>Keep this manual After reading this manual, please save it for later reference.</p> <p>Notice regarding disposal (EU only) Disposal of this product, package, or cables must be done in an approved manner. Do not discard this product, package, or cables along with ordinary household waste. Disposing in the correct manner will prevent harm to human health and potential damage to the environment. Since the correct method of disposal will depend on the applicable laws and regulations in your locality, please contact your local administrative body for details.</p>	<p>FCC (USA)/IC (Canada) Regulation Warning This equipment has been tested and found to comply with the limits for a Class B digital device, pursuant to Part 15 of the FCC Rules. These limits are designed to provide reasonable protection against harmful interference in a residential installation. This equipment generates, uses, and can radiate radio frequency energy and, if not installed and used in accordance with the instructions, may cause harmful interference to radio communications. However, there is no guarantee that interference will not occur in a particular installation. If this equipment does cause harmful interference to radio or television reception, which can be determined by turning the equipment off and on, the user is encouraged to try to correct the interference by one or more of the following measures:</p> <ul style="list-style-type: none">- Adjust the receiving antenna- Increase the separation between the equipment and receiver- Connect the equipment into an outlet on a circuit different from that to which the receiver is connected- Consult the dealer or an experienced radio/TV technician for assistance <p>Unauthorized changes or modifications to this system can void the user's authority to operate this equipment.</p> <p>Important notice to consumers This product has been manufactured according to strict specifications and voltage requirements that are applicable in the country in which it is intended that this product should be used. If you have purchased this product via the Internet, through mail order, and/or via a telephone sale, you must verify that this product is intended for use in the country in which you reside.</p> <p>WARNING Use of this product in any country other than that for which it is intended could be dangerous and could invalidate the manufacturer's or distributor's warranty. Please also retain your receipt as proof of purchase; otherwise, your product may be disqualified from the manufacturer's or distributor's warranty.</p> <p>CAUTION Always keep children and pets under constant adult supervision. The packaging, equipment, and included accessories are not toys and must be kept out of reach of children and pets. Use only under constant adult supervision.</p>
--	--

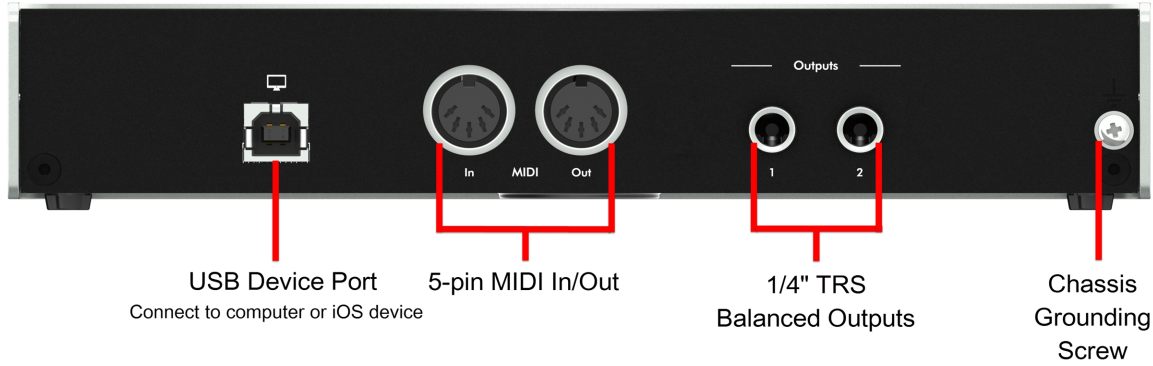
Hardware Connections

Front Panel



1. **Stereo headphone jack**
2. **Combination XLR and 1/4" analog inputs.** Your **ConnectAUDIO^{2/4}** accepts mic, instrument, and line-level input sources and can be configured for +48 phantom power and/or high/low impedance across one or both inputs.
3. **Interactive touch panel display.** The **ConnectAUDIO^{2/4}**'s touch panel makes it easy to select input modes and headphone source, adjust input/output levels, and enable and configure Direct Monitoring.
4. **Rotary Control Dial** for setting input/output levels/gain and adjusting the balance in Direct Monitoring mode. [Learn more about the Direct Monitoring](#) capabilities of your new **ConnectAUDIO^{2/4}** interface.

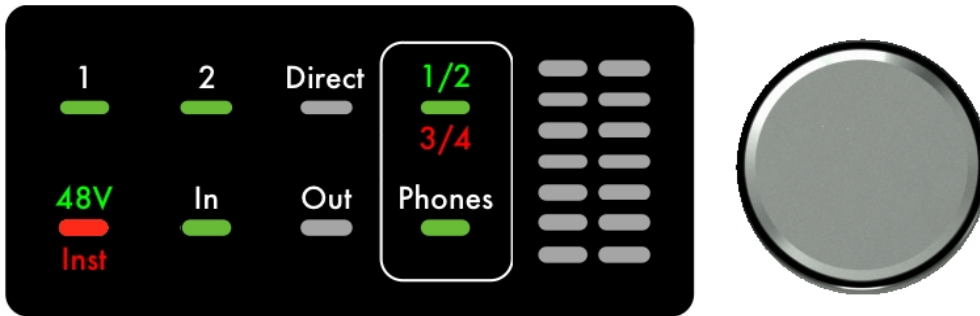
Rear Panel



1. **USB Device Port:** Use the included USB cable to connect your interface to a PC or Mac device running your Digital Audio Workstation host software. An iOS device can be connected using the Apple Lightning-to-USB 3 Camera Adaptor.
2. **MIDI In/Out:** Accepts 5-pin MIDI DIN connections for standard MIDI hardware. MIDI is transmitted at the standard MIDI rate of 31.25 Kbps
3. **Analog Output Jacks 1 – 2 :** ¼" balanced TRS outputs for connecting to powered monitors or a stereo amplifier with attached speakers. Output levels are capable of reaching +12dBu. Exercise caution when setting output levels to avoid potentially overloading equipment in the downstream signal path. **Note:** Do not connect +48V phantom power to the analog output jacks as this could damage the output circuits.
4. **Chassis Grounding Screw:** Use this grounding screw if grounding issues occur when connecting multiple electronic devices.

Controls

Interactive Touch Panel Display



The **ConnectAUDIO^{2/4}**'s Interactive Touch Panel Display is a capacitive touch panel that provides the following features:

- Eight touch zones for intuitive control over viewing and adjusting Inputs and Outputs, Direct Monitoring, and enabling +48V phantom power for condenser microphones
- Dual 8-stage LED meters and independent metering modes for select functions
- A Rotary Control Dial for setting gain/levels and adjusting the balance between inputs and USB audio when in Direct Monitoring mode. The Rotary Control Dial also performs auxillary functions, such as:
 - **Committing Gain Settings to Memory:** While in *Gain Set* mode, press the dial once to commit the current settings to memory
 - **Powering down the unit:** Press and hold the Rotary Control Dial until both meter columns show red and yellow LED indicators at the top of the display. Then, release the Dial to power the unit OFF. From the OFF state, press the Dial once to power the unit back ON.

Note: The Rotary Control Dial is continuous and can make fine or coarse adjustments depending on how quickly you rotate the dial. Fine adjustments are recommended if there is a risk of signal overload.

Meter Modes and Levels

There are two primary meter display modes when selecting **In**, **Out**, or **Phones** on the panel. Successive touches of the **In**, **Out**, or **Phones** buttons toggle between:

- **Signal Level** mode, indicated by the **green** LED. The LED meters display VU (signal level) and will react to the input signal in real time.
- **Gain Set** mode, indicated by the **red** LED. The LED meters display the gain setting and respond to clockwise or counter-clockwise motion of the Rotary Control Dial.

A third meter mode is activated when *Direct Monitoring* is selected on the panel. Refer to the [Direct Monitoring](#) section of this manual for more information.

Getting Started

Audio Driver Installation

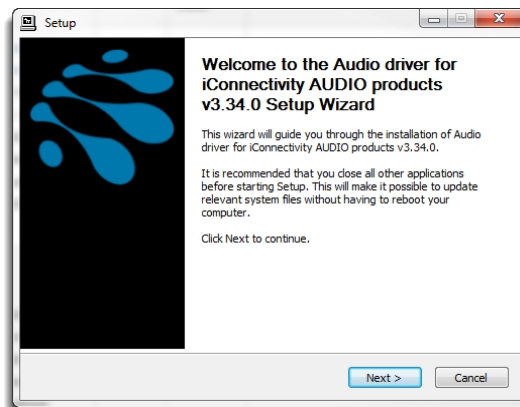
Mac and iOS devices

An audio driver is not required for Mac and iOS devices. The **ConnectAUDIO^{2/4}** is USB class-compliant, enabling it to be recognized automatically by Mac OS X and iOS systems and allowing applications to pass audio and MIDI as soon as the **ConnectAUDIO^{2/4}** interface is connected.

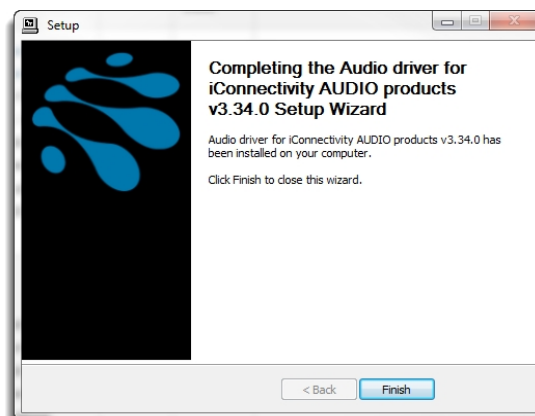
Windows systems

Go to the [iConnectivity support page](#) and download the audio driver installer applicable to your Windows version. Then, follow these steps:

1. Double-click on the installer executable file to launch the installer. Depending on your Windows version, it may be necessary to select the installer file and *open as Admin*.



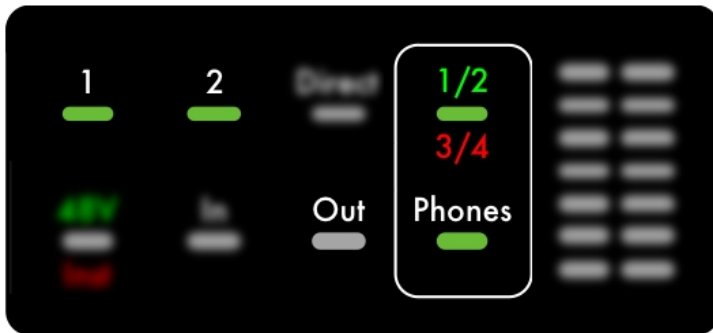
2. Follow the onscreen prompts to install the audio driver to the default destination folder. When the installer completes, click **Finish** to exit the wizard.



Setting Up the Interface

1. **Connect the interface** to your PC, Mac, or iOS device. (Note that a separate Apple Lightning-to-USB 3 Camera Adaptor is required for iOS devices)
2. **Verify that the interface is powered ON:** Your **ConnectAUDIO^{2/4}** is USB bus-powered and does not require an external power supply. Once connected, the default indicator lights on the Touch Panel Display will illuminate, indicating that your **ConnectAUDIO^{2/4}** is powered ON and ready for use.
3. **Check for firmware updates:** Go to the [iConnectivity support page](#), download and install the iConfig Configuration and Control software, and open **iConfig**. iConfig will check the firmware version of your **ConnectAUDIO^{2/4}** and prompt you to update your firmware if a newer version is available. iConfig also lets you view information such as the serial number and hardware version of your unit.
Note: We recommend updating to the latest firmware, but you can skip this step and return to it later, if you prefer.
4. **Enable the interface in your DAW:** In your DAW, select the **ConnectAUDIO^{2/4}** as the *Input* and *Output* device.

Setting the Output/Phones Level



Once you have hooked up the **ConnectAUDIO^{2/4}** to your device and enabled it in your DAW host software, follow these steps to set the Output/Phones level:

1. Set up a track in your DAW that contains audio and route it to channels 1/2 of the **ConnectAUDIO^{2/4}**.
2. Verify that the **Phones** button LED is **green**, indicating that channels 1/2 are selected.
3. Touch **Out** or **Phones**, according to your monitoring setup; either amplifier/speakers or headphones. Touch once to enable *Signal Level* metering mode (**green** LED). Touch twice to enable *Gain Set* metering mode (**red** LED). Refer to the *Out/Phones Meter Modes* section below for more information about meter modes.
4. Verify that the **1** and **2** LED indicators in the upper-left section of the panel are lit. In *Out/Phones* Mode, these buttons represent the stereo linked output. In *Out* Mode you can select **1** or **2** individually and adjust each output separately, if you prefer.

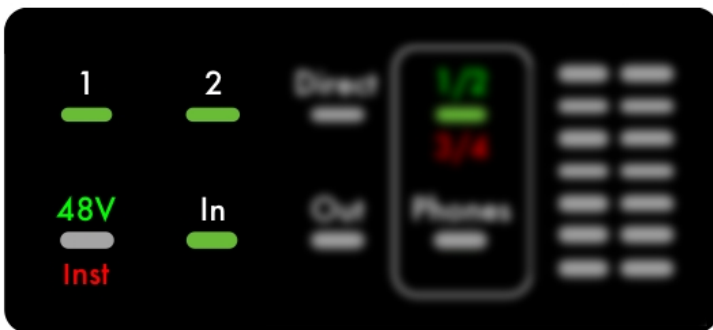
5. Play the audio track in your DAW and move the Rotary Control Dial slowly until you begin to hear audio in your speakers or headphones. Continue adjusting the dial to increase or decrease the level as desired.

Out/Phones Meter Modes

There are two meter display modes. Pressing the *Out* or *Phones* buttons multiple times allows you to toggle between:

- **Signal Level** mode, indicated by the **green** LED. The LED meters display VU (signal level) and will react to the input signal in real time.
- **Gain Set** mode, indicated by the **red** LED. The LED meters display the gain setting and respond to clockwise or counter-clockwise motion of the Rotary Control Dial.

Setting Up Inputs



Assigning Input Modes

With your interface connected, and your DAW open with the **ConnectAUDIO^{2/4}** selected as the Input/Output device, follow these steps to set up an audio input source and pass the audio signal to your DAW from your **ConnectAUDIO^{2/4}**:

Dynamic Mics, Instruments or Line-Level Sources

1. Touch **48V/Inst** twice, to set **Inst** as the Input Mode. The indicator light will display **red**.
2. Touch **1, 2** or both to assign the **Inst** Input Mode to an input. The input indicator light will turn **green** for inputs to which **Inst** mode has been assigned.

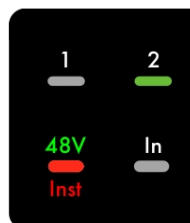


Figure 1: *Input Assign* mode; *Inst* mode assigned to Input 2

Condenser Mics

1. Touch **48V/Inst** once, to set **+48V** as the Input Mode. The LED indicator will display **green**.
2. Touch **1, 2** or both to assign the **+48V** Input Mode to an input. The LED indicator light will display **green** for inputs to which **+48V** mode has been assigned.



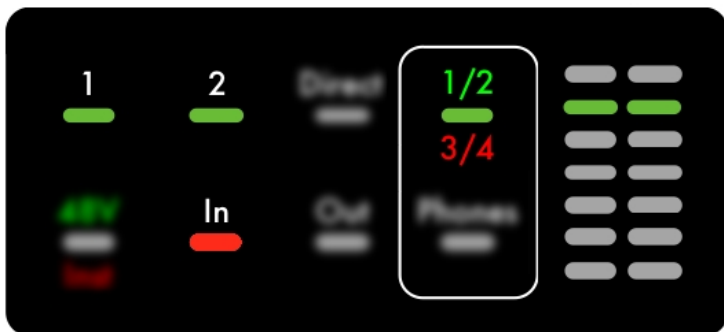
Figure 2: *Input Assign* mode; **48V** mode assigned to Input 1

Input Display States

- When you press the **48V/Inst** button so that **48V** is selected, inputs that display **green** are assigned to **48V** mode.
- When you press the **48V/Inst** button so that **Inst** is selected, inputs that display **green** are assigned to **Inst** mode.

Note: Input audio is temporarily muted when 48V power is turned ON or OFF. Allow a few moments for the audio path to be re-enabled when engaging or dis-engaging the **48V** function.

Setting Input Levels



With input modes assigned, follow these steps to set input levels:

1. Touch the **In** button once to enable *Signal Level* metering mode (**green** LED). Touch the **In** button again to enable *Gain Set* metering mode (**red** LED). Refer to the *Input Meter Modes* section below for more information about meter modes.
2. Touch **1** and/or **2** to select either or both inputs.
3. Turn the **Rotary Control Dial** to raise or lower the level of the selected inputs as you generate source audio.

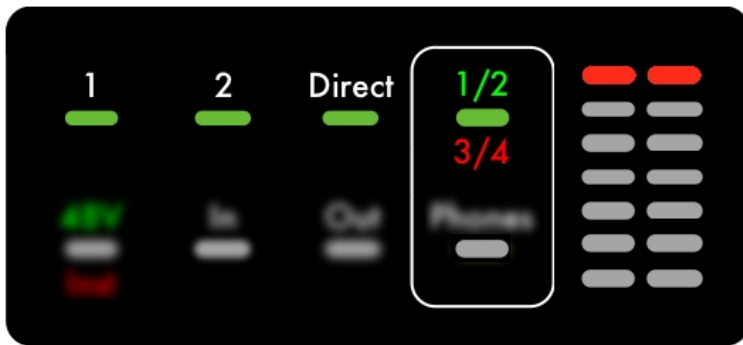
Input Meter Modes

There are two meter display modes. Pressing the *In* button multiple times allows you to toggle between:

- **Signal Level** mode, indicated by the **green** LED. The LED meters display VU (signal level) and will react to the input signal in real time.
- **Gain Set** mode, indicated by the **red** LED. The LED meters display the gain setting and adjust to clockwise or counter-clockwise motion of the Rotary Control Dial.

The **1** and **2** LEDs will turn red to indicate **clipping** any time the audio signal exceeds acceptable levels. These clipping indicators will appear regardless of what mode the Touch Panel is currently operating in.

Direct Monitoring



Direct Monitoring (DM) is a key feature of the **ConnectAUDIO^{2/4}**. It enables you to monitor audio input directly from the **ConnectAUDIO^{2/4}** interface without the latency introduced when monitoring the same signal through your DAW.

DM offers Mono and Stereo modes and provides Rotary Dial control to balance the level between your audio input(s) and the computer output.

How to Enable Direct Monitoring

1. Touch **Direct** on the Touch Panel. The *Direct* LED indicator will display green and initialize in *Mono* mode by default.
2. Select the inputs (1, 2, or both) to be monitored.
3. Use the Rotary Dial to adjust the balance between audio from the input(s) and USB audio.

Working with Direct Monitoring: Mono/Stereo Modes

When you first initialize DM, it will be enabled in **Mono** Mode by default. If both inputs are enabled, there will be no panning between audio sources. Toggling DM to *Stereo Mode* allows you to auto-pan Inputs 1 and 2 to the Left and Right sides of the stereo spectrum and enables clearer monitoring of multiple sources.

With **Direct** selected on the Touch Panel Display, Direct Monitoring can be toggled to Stereo Mode by touching the **48V/Inst** button. The **Direct** LED indicator will change from green to red, indicating that DM is now operating in stereo.

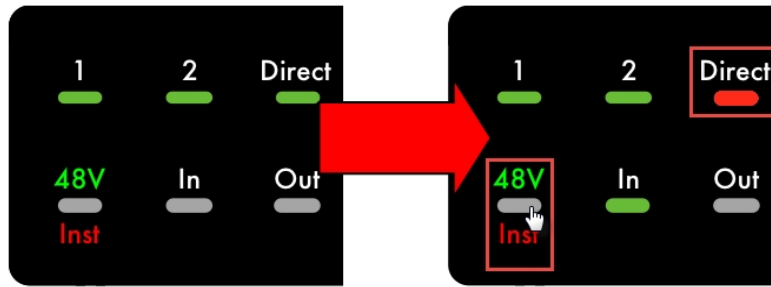


Figure 3: Toggling DM from *Mono* to *Stereo* Mode

Refer to the [Direct Monitoring States](#) reference section of this manual to view all the possible DM configurations and their respective audio routing.

Working with Direct Monitoring: Adjusting the Input/USB Balance

With Direct Monitoring enabled, the meters on the Touch Panel Display toggle to show the respective **Input** (left meter column) and **USB** (right meter column) levels. Moving the Rotary Control Dial adjusts the balance between the two.

- Rotate the dial **clockwise** for more **USB** signal in the monitor mix
- Rotate the dial **counter-clockwise** for more **Input** signal in the monitor mix

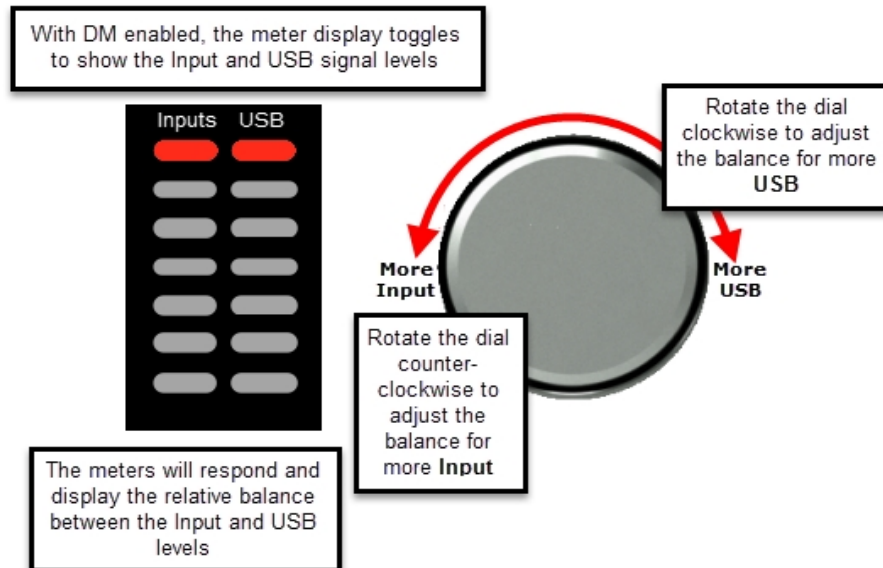
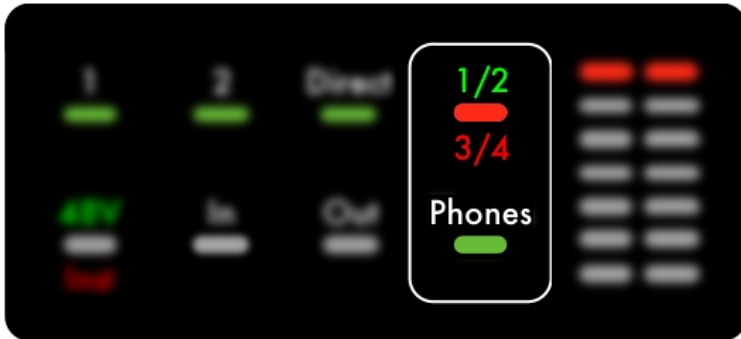


Figure 4: Adjusting the Direct Monitoring balance

Additional Notes About Direct Monitoring

- The Direct Monitoring LED indicator will change to **orange** any time you press the **In** or **Out** buttons to make adjustments. This indicates that Direct Monitoring is still enabled, but not available for editing.



Headphone Source Selection



Headphone Source Selection is a feature of the **ConnectAUDIO^{2/4}** that allows you to easily switch between the computer output channels being monitored on the headphones.

One touch switches the headphone source between channels 1/2 and channels 3/4. Note that channels 1/2 are always routed to the analog outputs on the back panel, regardless of the headphone source selection.

To change headphone sources, press the **1/2_3/4** button on the Touch Panel.

-  indicates that output pair 1/2 is selected
-  indicates that output pair 3/4 is selected

Troubleshooting

I don't hear any sound from the speakers or headphones connected to the interface

Make sure that you have [set up output levels](#) on the unit. Verify that the output pair over which your DAW is transmitting audio is selected on the Touch Panel.

I've turned on direct monitoring but I'm only hearing the computer output, not the analog input.

Verify that you have selected one or more of the analog inputs for monitoring. If neither input is selected, you will only hear the computer output. Refer to the [Direct Monitoring](#) section for more information.

I have a device connected to the MIDI DIN connectors, but I'm not seeing it on my computer.

Verify that the MIDI DIN connections are not reversed. MIDI Out on the controller should be connected to MIDI In on the interface, and vice-versa.

The interface is not powering up or is turning ON and OFF again.

Verify the USB cable and the USB port power. The USB port may not be providing sufficient power. The cable may be too long or of insufficient quality to support the power supply current.

Reference: Audio Specifications

Digital Performance

- 24 bit resolution
- A- D Dynamic Range: 102 dB (fs= 48kHz, 20Hz 20kHz, A- wt, 24 bit)
- D- A Dynamic Range: 104 dB (fs= 44.1kHz, 20Hz 20kHz, A- wt, 24 bit)
- Supported sample rates: 44.1 kHz, 48 kHz, 88.2 kHz, 96 kHz

Microphone Inputs

- Gain: 0 60 dB (1dB steps)
- Frequency response (flatness): 20 Hz 20 kHz (+/- 0.2 dB)
- SNR: +104 dB (1kHz, 1 Vrms, 22Hz - 22kHz, A- wt, lowest gain)
- THD+N: - 90 dB (1kHz, 1 Vrms, 22Hz - 22kHz, A- wt, lowest gain)

Line/Instrument Inputs (Balanced Input)

- Attenuator: 20 dB (fixed)
- Impedance: 800 kOhms (Hi- Z), 45 kOhms (Lo- Z)
- SNR: +106 dB (1kHz, 2 Vrms, 22Hz 22kHz, A- wt)
- THD+N: - 102 dB (1kHz, 2 Vrms, 22Hz 22kHz, Unweighted)
- Maximum Input Level: 16 Vrms, 26 dBu, 24 dBV (1kHz, 22Hz- 22kHz, A- wt, 1% THD+N, SNR = +124 dB)

Line/Instrument Inputs (Single Ended Input)

- Attenuator: 20 dB (fixed)
- Impedance: 800 kOhms (Hi- Z), 45 kOhms (Lo- Z)
- SNR: +106 dB (1kHz, 2 Vrms, 22Hz 22kHz, A- wt)
- THD+N: - 89 dB (1kHz, 2 Vrms, 22Hz 22kHz, A- wt)
- Maximum Input Level: 8 Vrms, 20 dBu, 18 dBV (1kHz, 22Hz- 22kHz, A- wt, 1% THD+N, SNR = +118 dB)

Line Outputs

- Maximum Output Level: 3.1 Vrms, 12 dBu, 9.8 dBV
- Frequency response (flatness): 20 Hz 20 kHz (+/- 0.1 dB)

- SNR: +118 dB (1kHz, 22Hz - 22kHz, A- wt)
- THD+N: - 108 dB (1kHz, 22Hz - 22kHz, A- wt)

Headphone

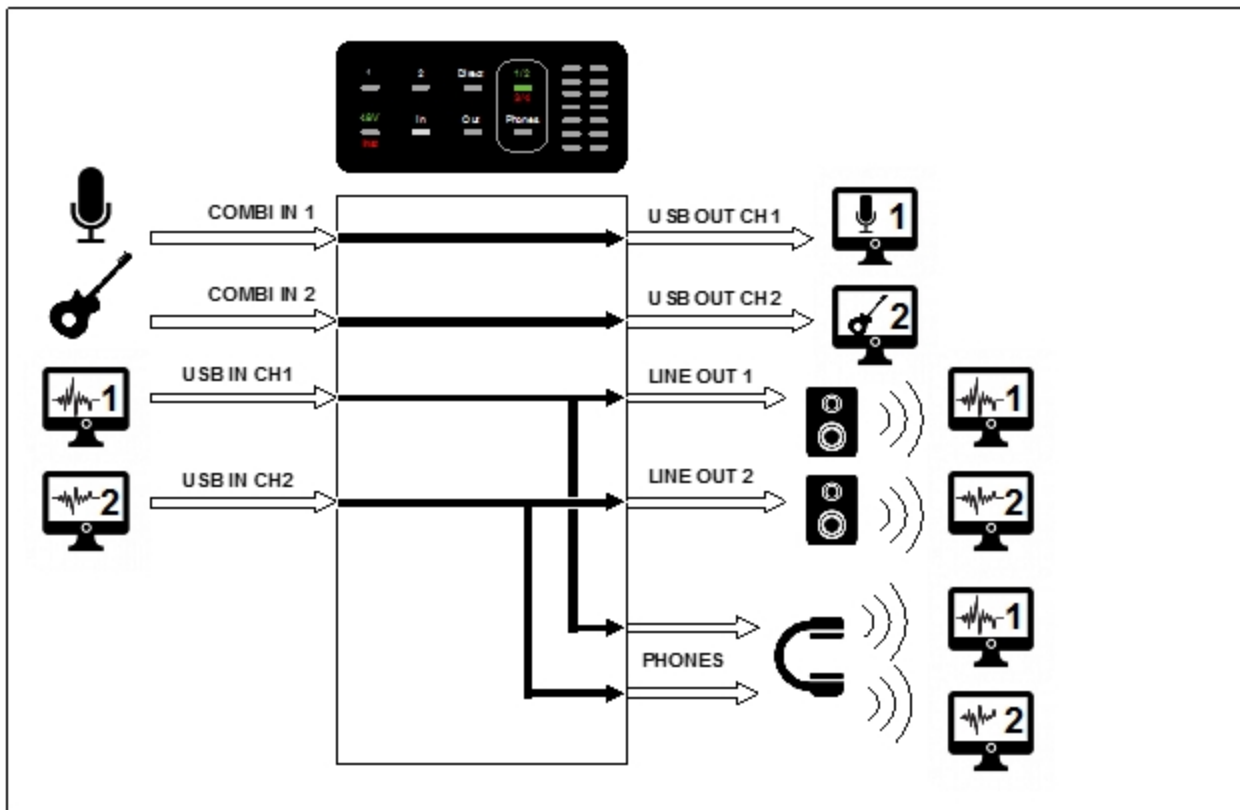
- Frequency response (flatness): 20 Hz 20 kHz (+/- 0.1 dB)
- SNR: +119 dB (1kHz, 22Hz - 22kHz, A- wt)
- THD+N: - 116 dB (1kHz, 22Hz - 22kHz, A- wt)
- Power into 30 Ohm channel: 34 mW per channel

Reference: Direct Monitoring States

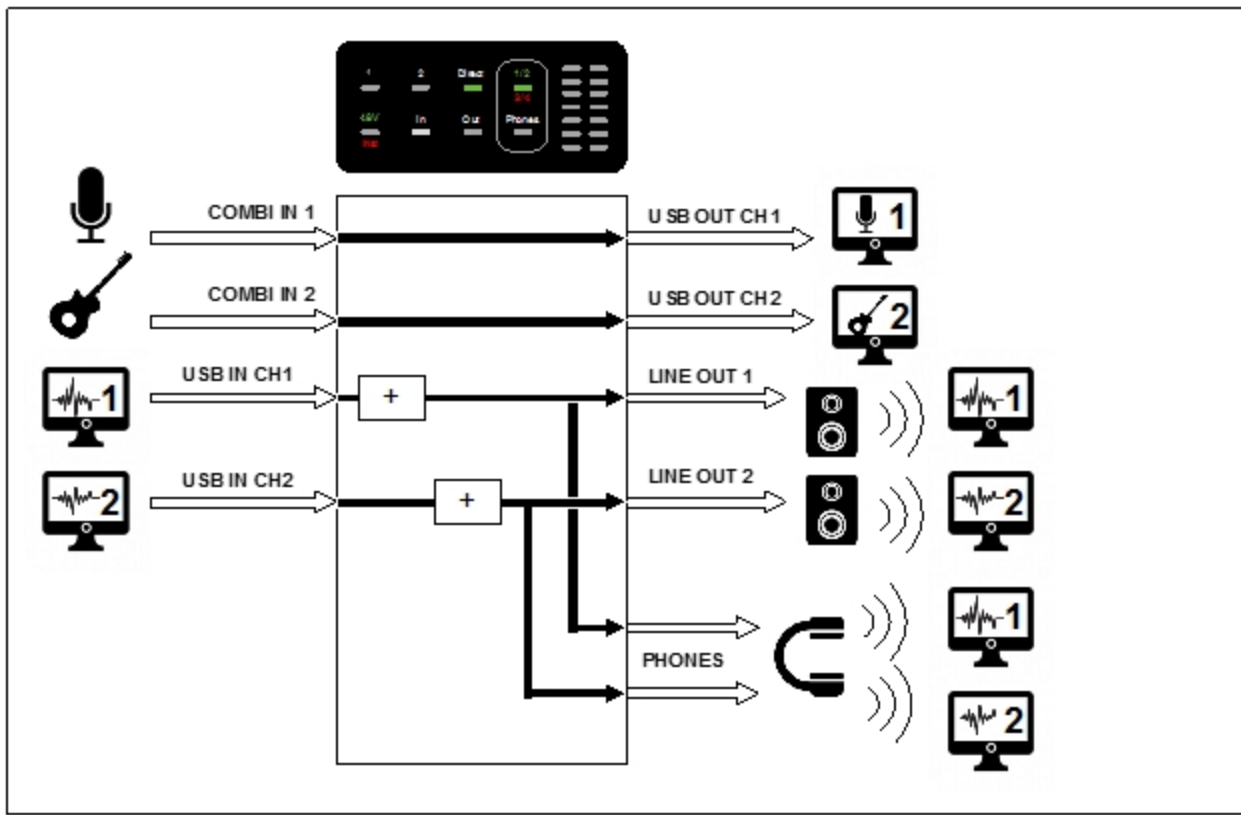
The diagrams below illustrate the signal flow for each of the **ConnectAUDIO^{2/4}**'s respective Direct Monitoring, Input, and Headphone configurations.

Direct Monitoring	Input Mode	Inputs Selected	Phones
OFF	Mono	None	1/2

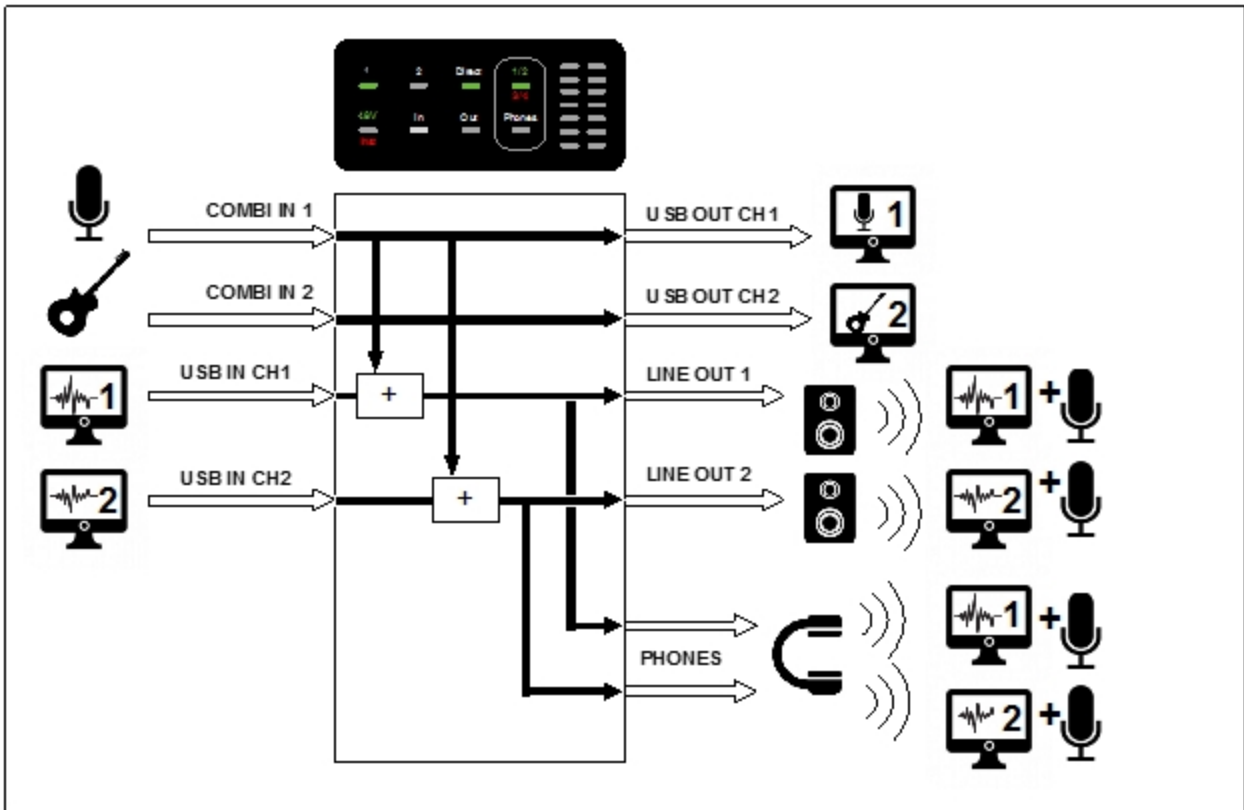
In the **ConnectAUDIO^{2/4}**'s device initialization state, Direct Monitoring is Set to OFF and configured in mono mode with no inputs selected.



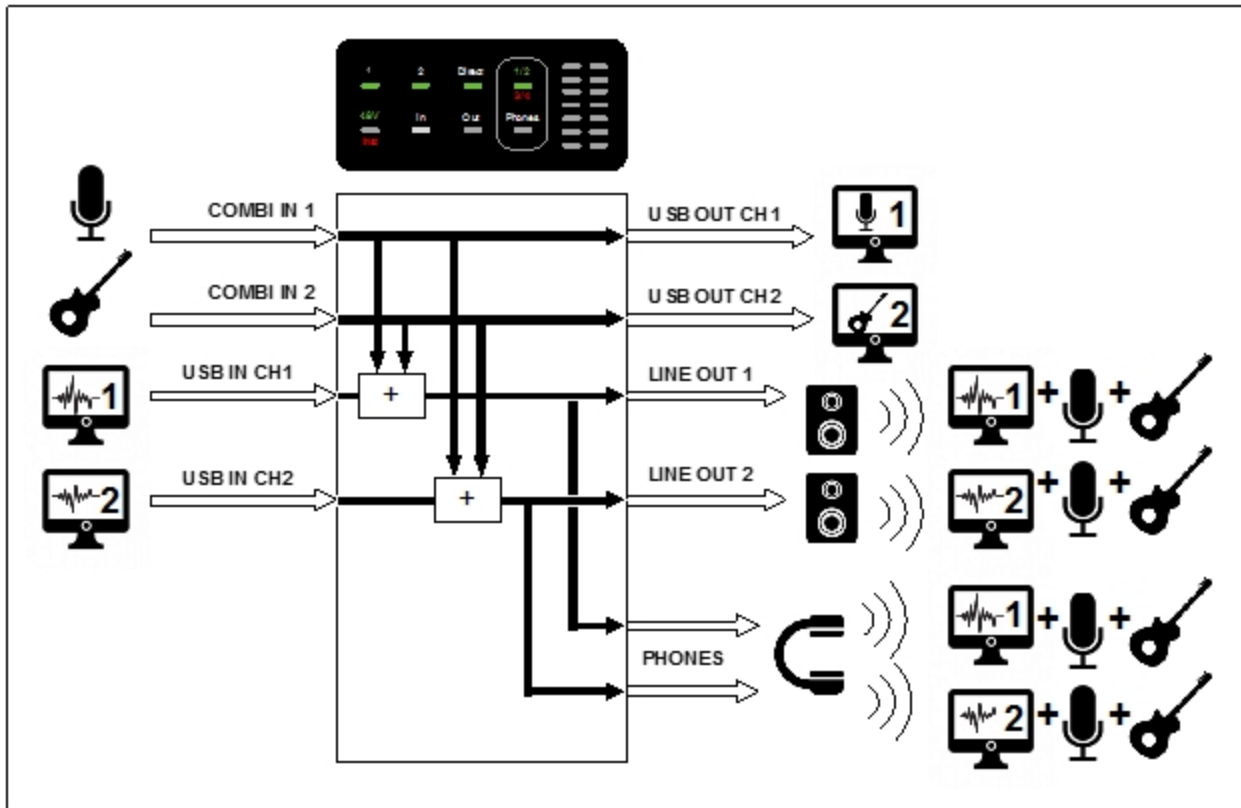
Direct Monitoring	Input Mode	Inputs Selected	Phones
OFF	Mono	None	1/2



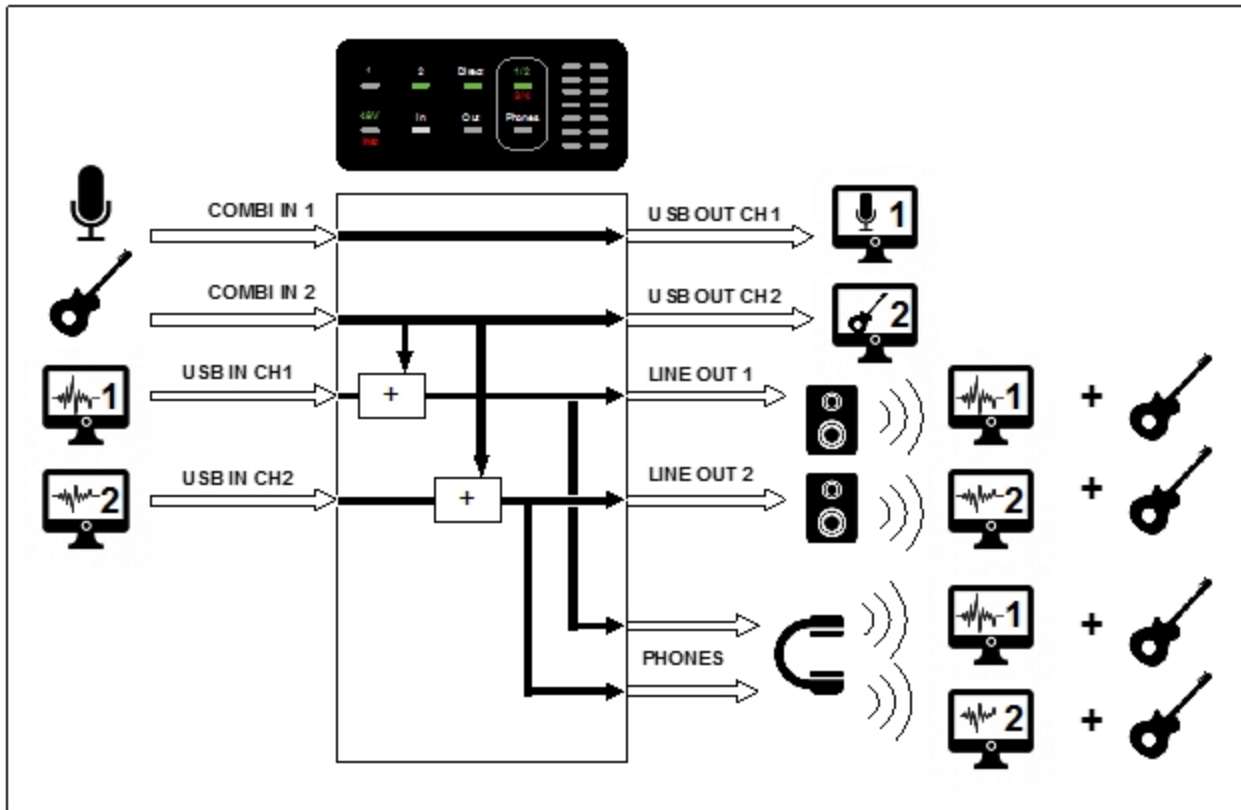
Direct Monitoring	Input Mode	Inputs Selected	Phones
ON	Mono	Input 1	1/2



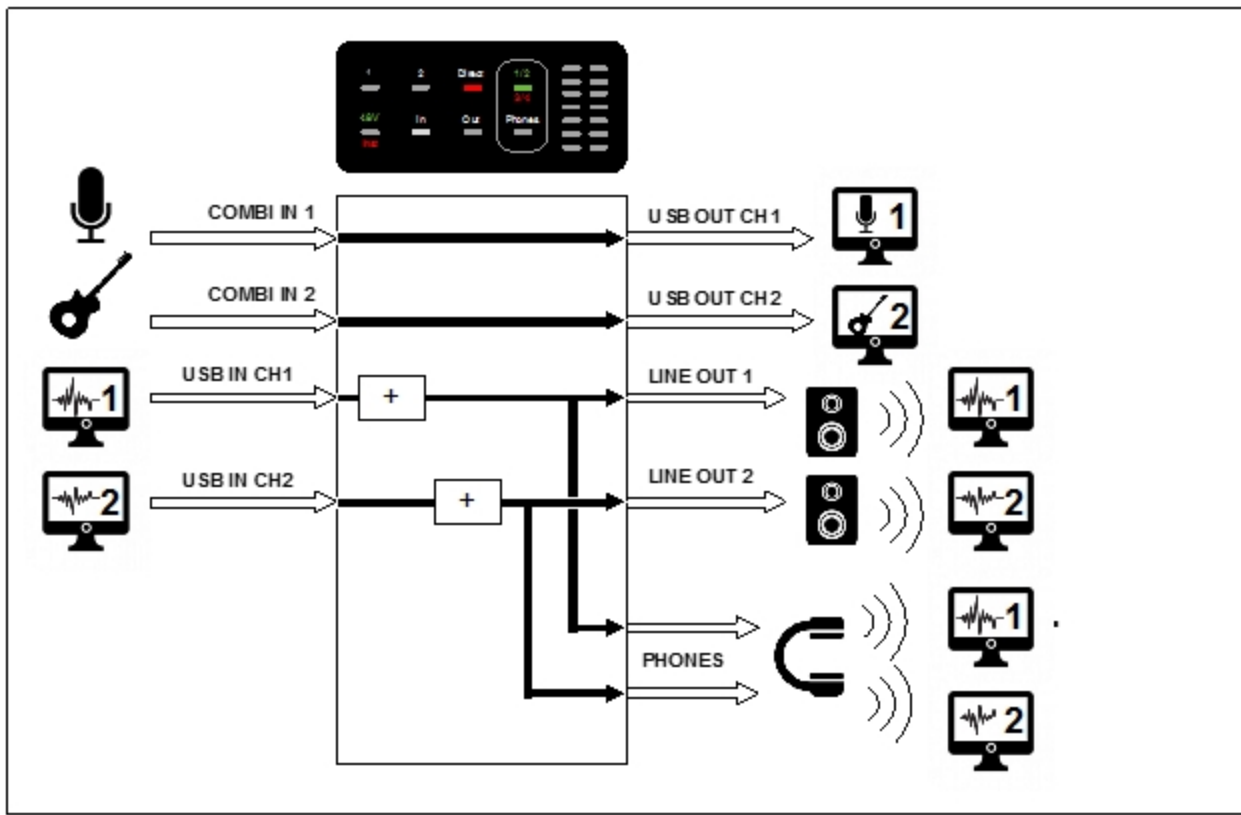
Direct Monitoring	Input Mode	Inputs Selected	Phones
ON	Mono	Inputs 1 and 2	1/2



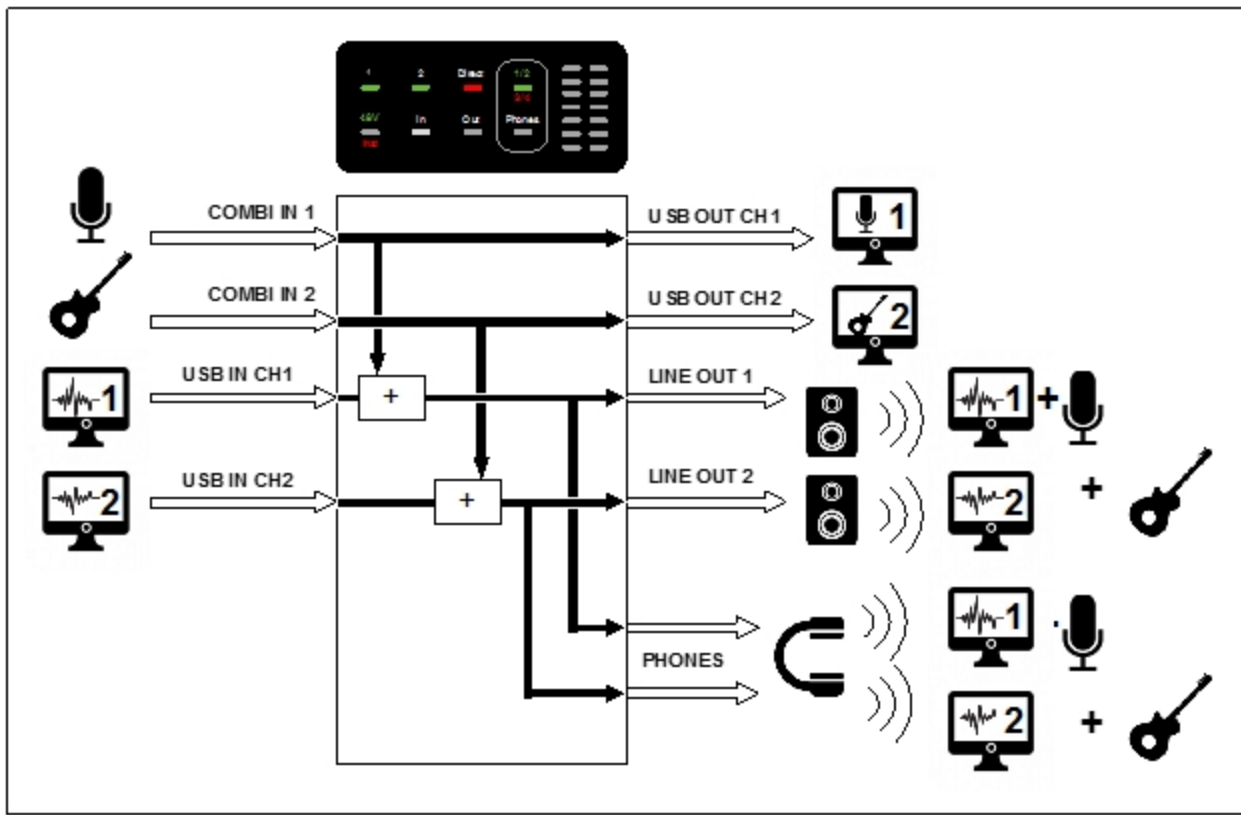
Direct Monitoring	Input Mode	Inputs Selected	Phones
ON	Mono	Input 2	1/2



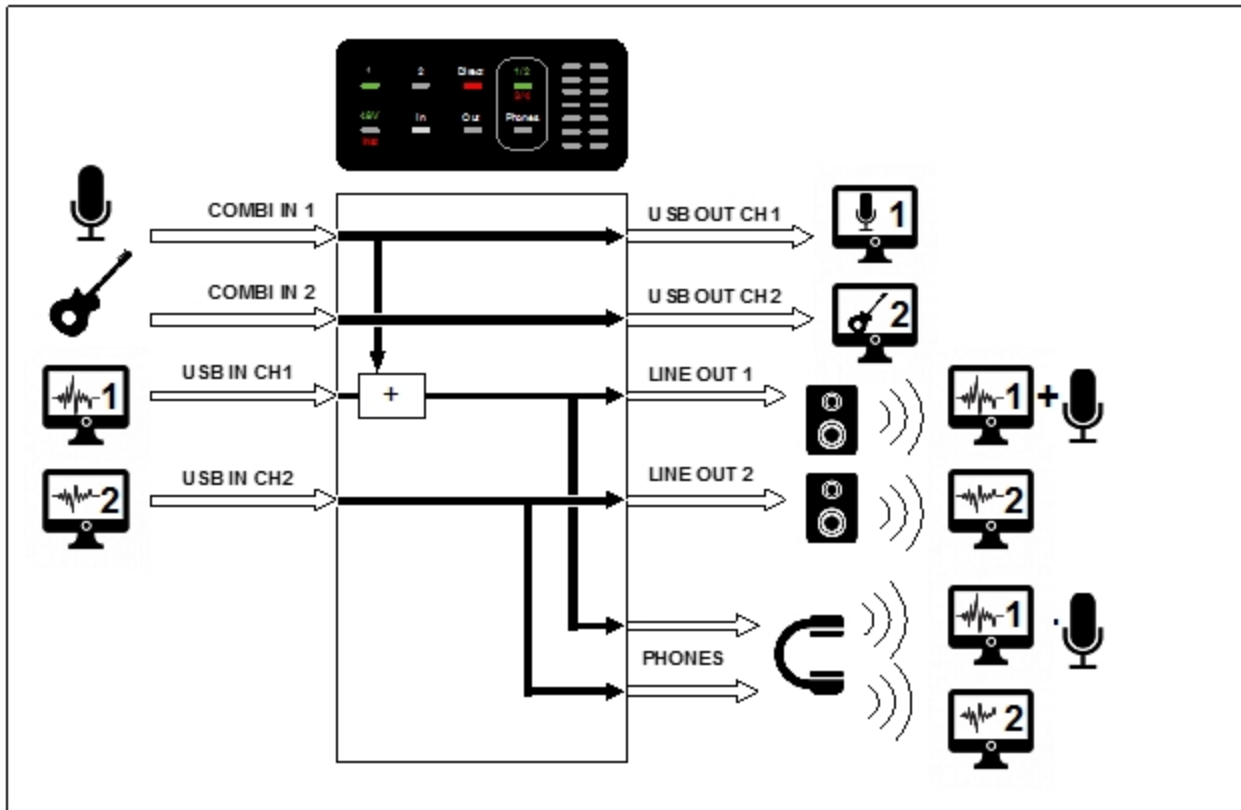
Direct Monitoring	Input Mode	Inputs Selected	Phones
ON	Stereo	None	1/2



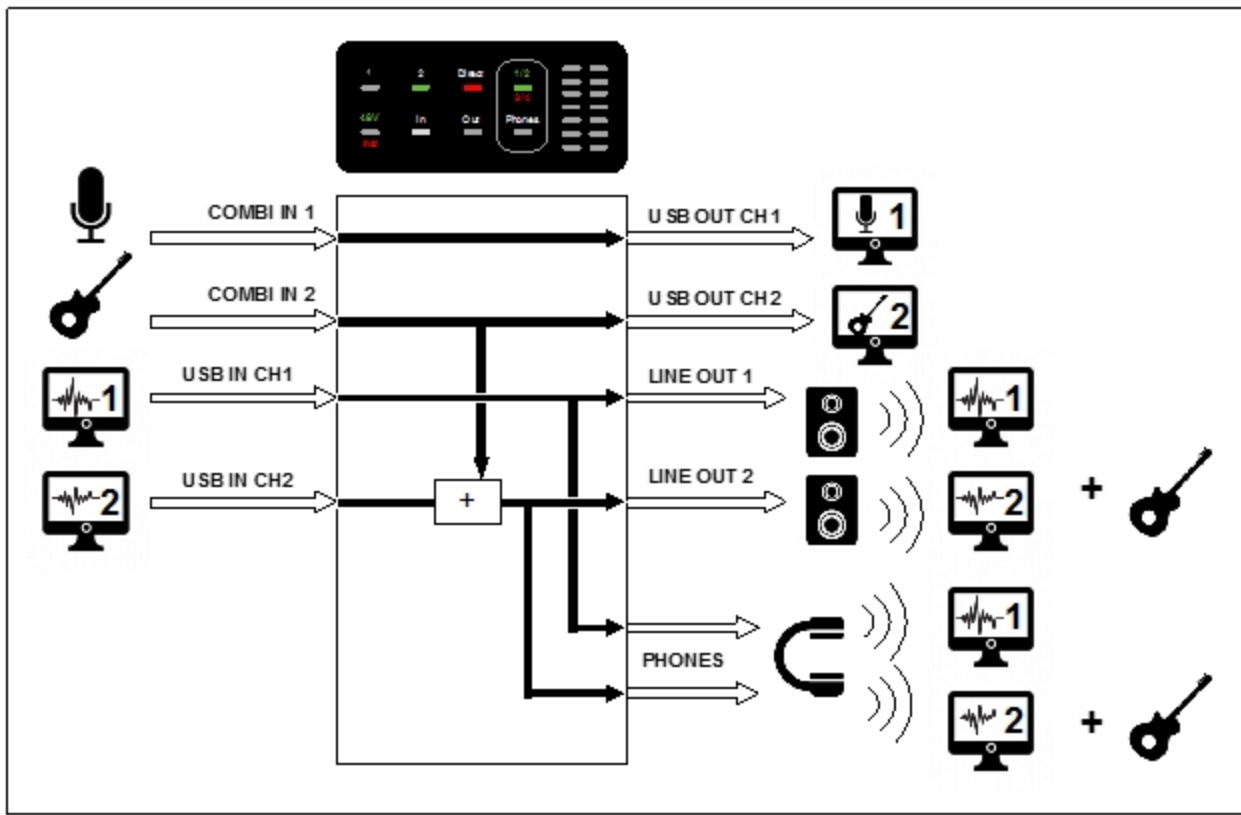
Direct Monitoring	Input Mode	Inputs Selected	Phones
ON	Stereo	Inputs 1 and 2	1/2



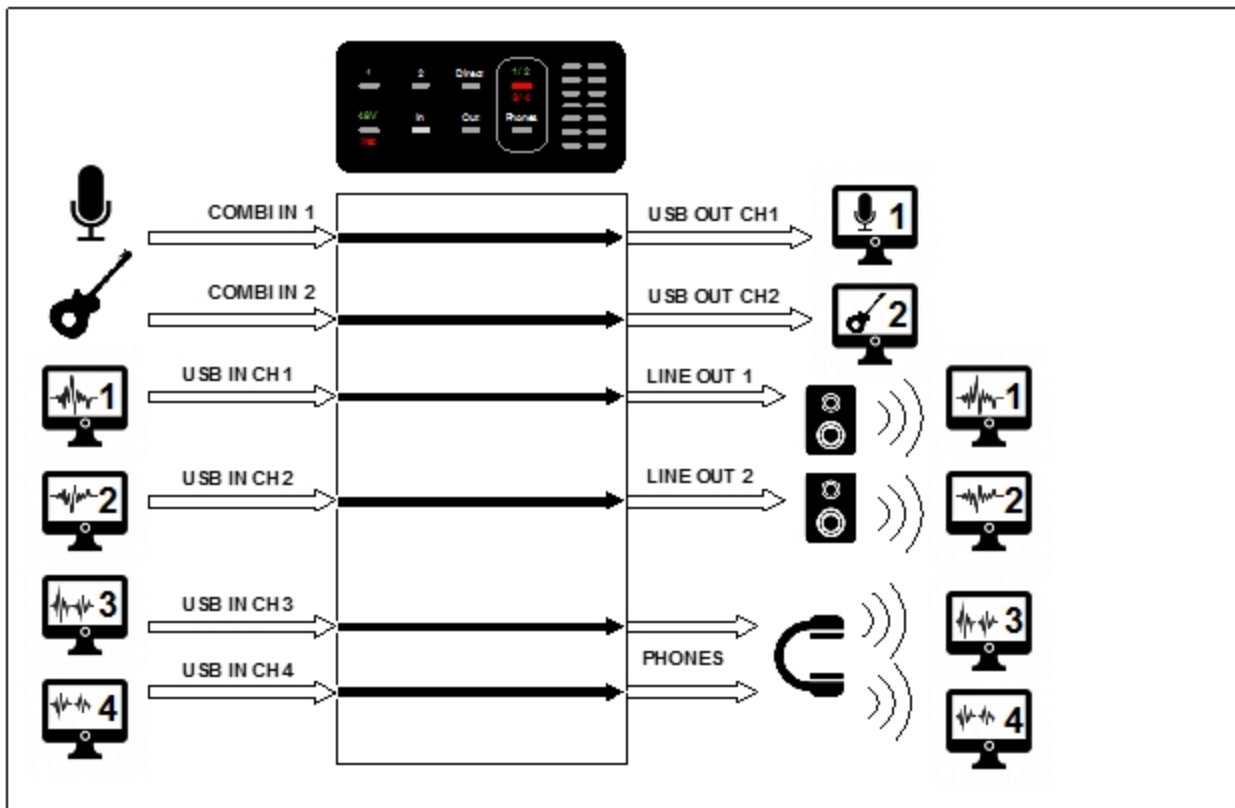
Direct Monitoring	Input Mode	Inputs Selected	Phones
ON	Stereo	Input 1	1/2



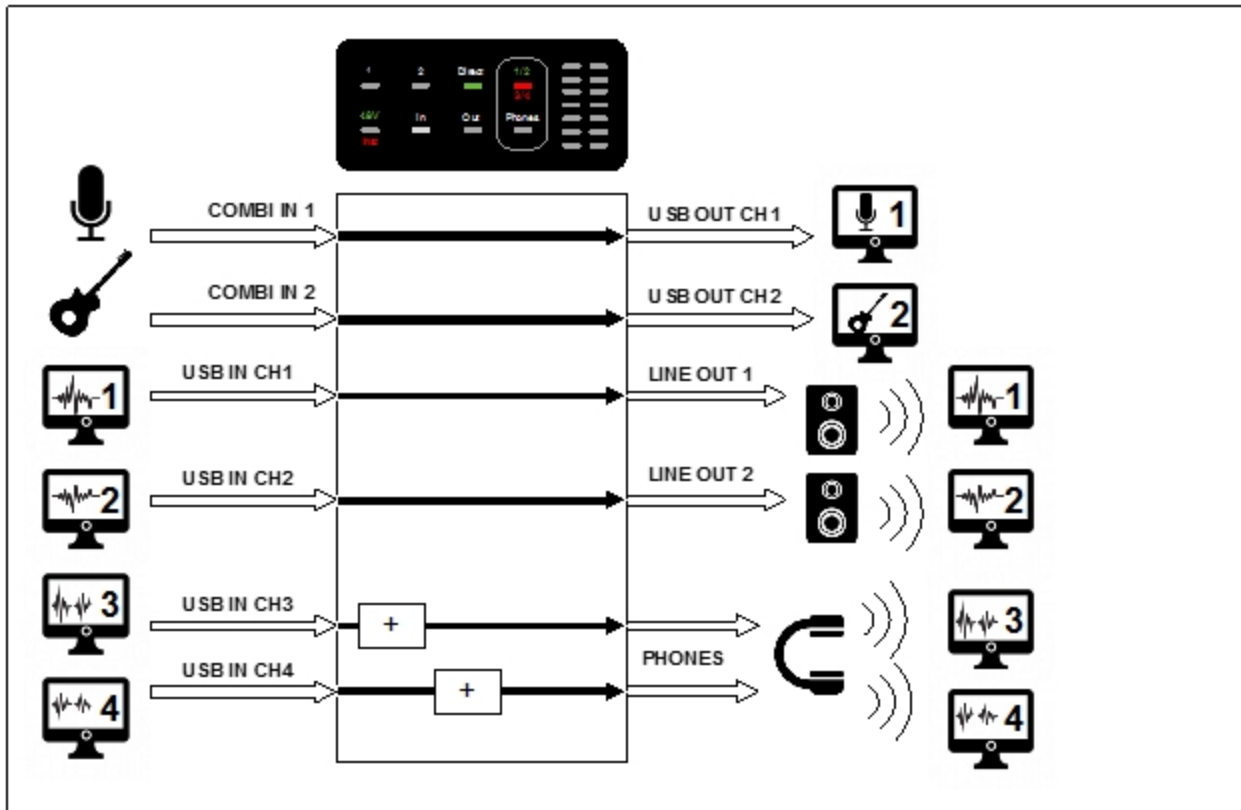
Direct Monitoring	Input Mode	Inputs Selected	Phones
ON	Stereo	Input 2	1/2



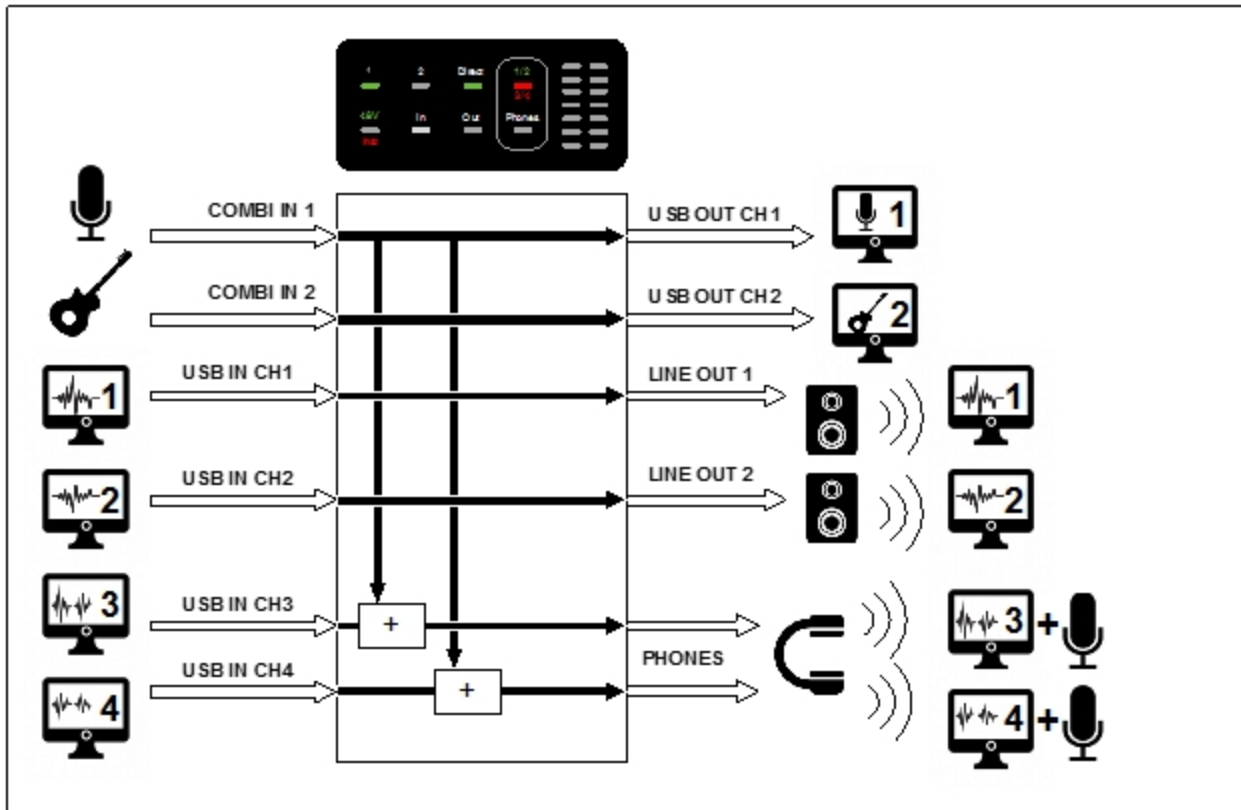
Direct Monitoring	Input Mode	Inputs Selected	Phones
OFF	Mono	None	3/4



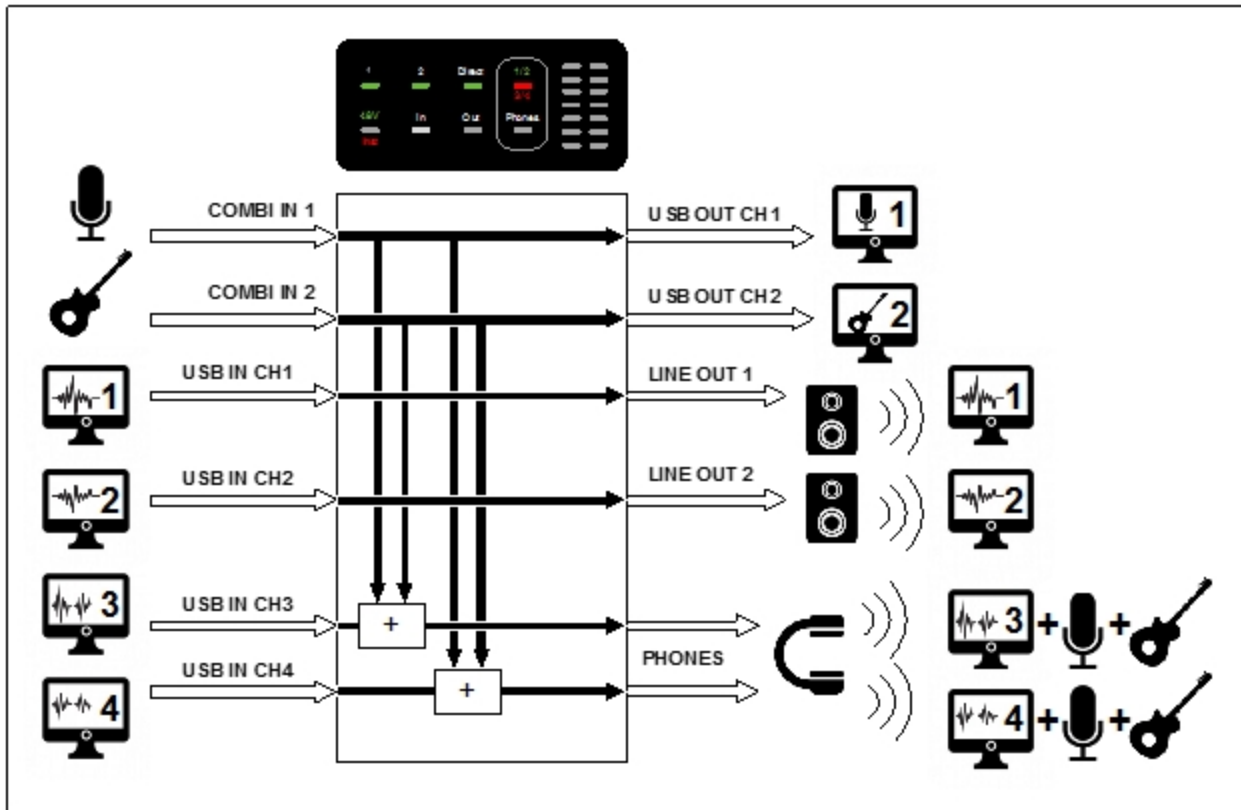
Direct Monitoring	Input Mode	Inputs Selected	Phones
ON	Mono	None	3/4



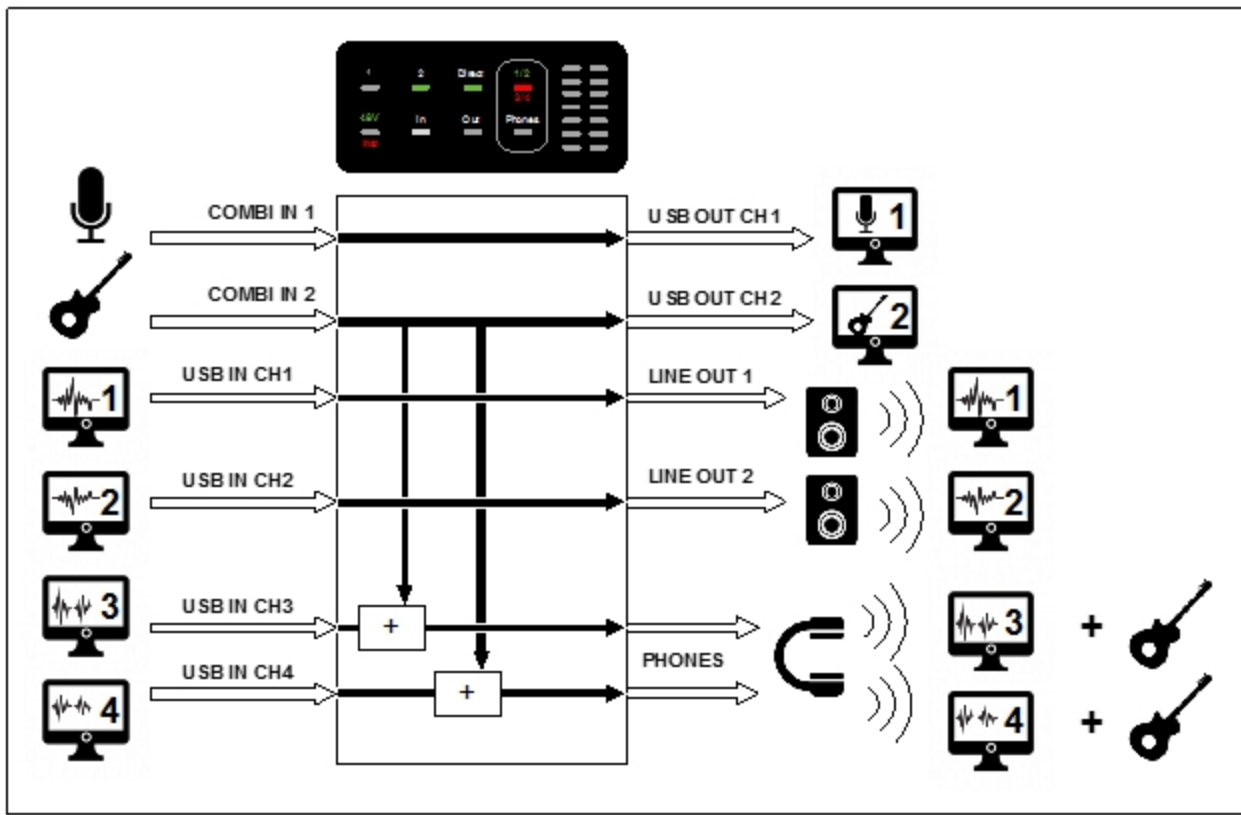
Direct Monitoring	Input Mode	Inputs Selected	Phones
ON	Mono	Input 1	3/4



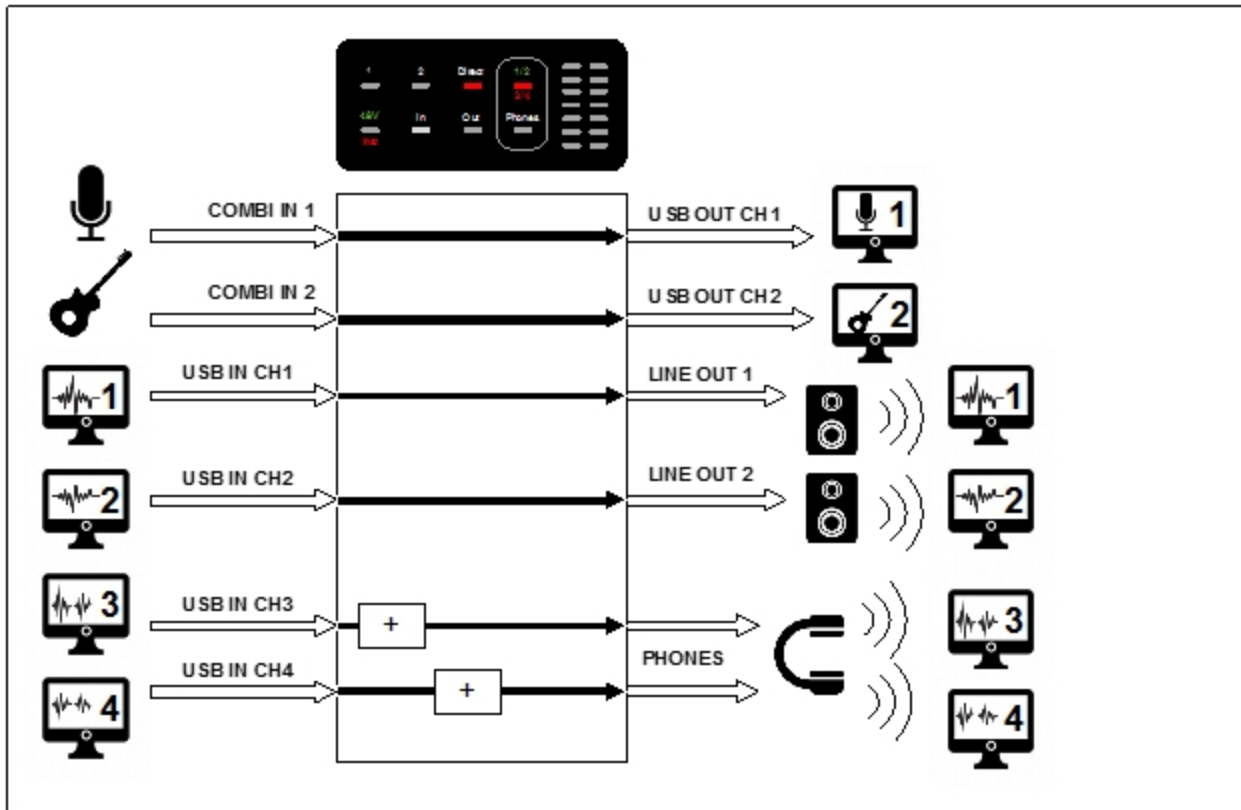
Direct Monitoring	Input Mode	Inputs Selected	Phones
ON	Mono	Inputs 1 and 2	3/4



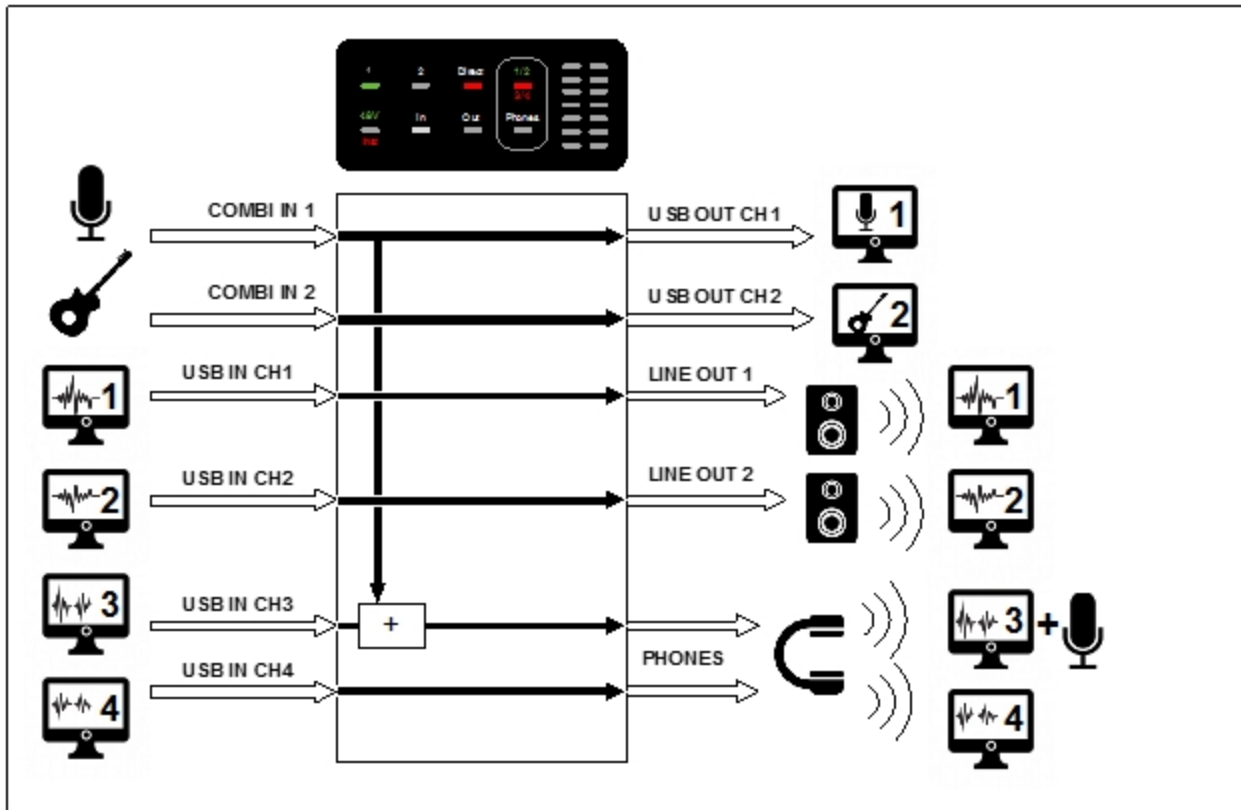
Direct Monitoring	Input Mode	Inputs Selected	Phones
ON	Mono	Input 2	3/4



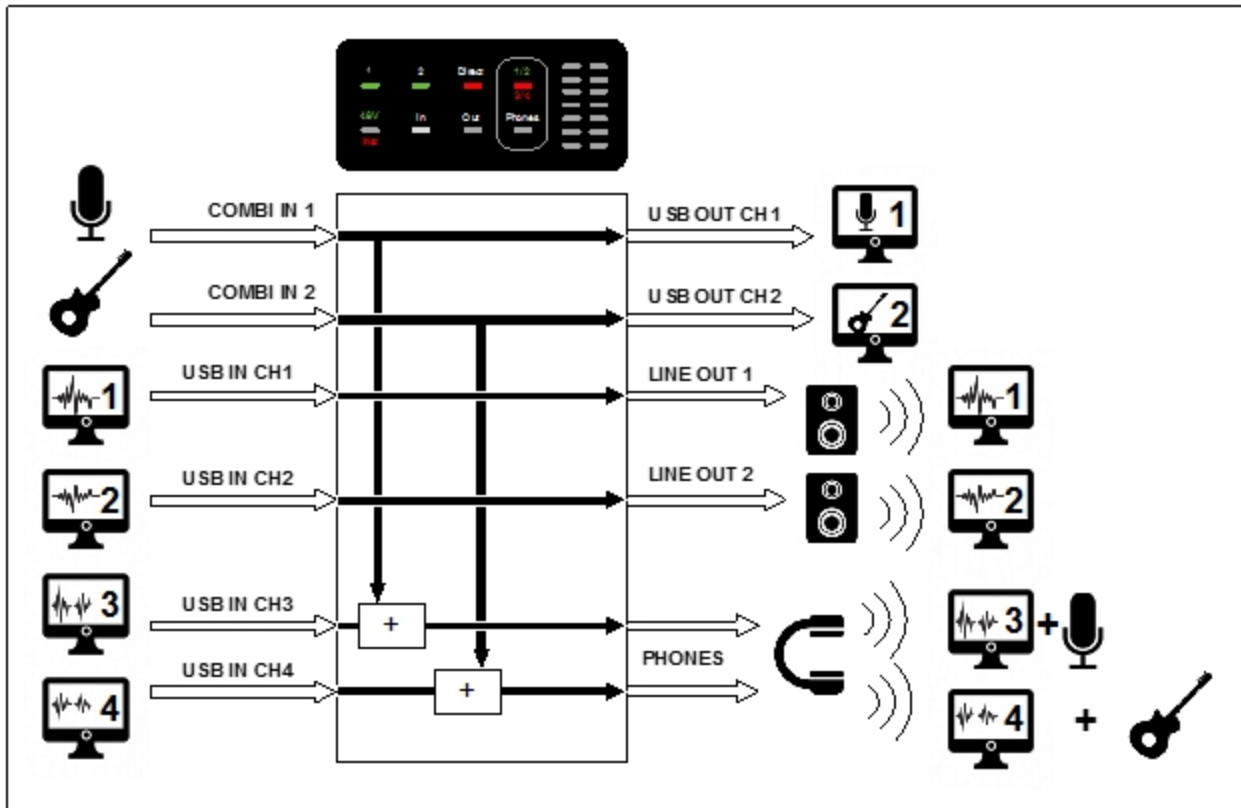
Direct Monitoring	Input Mode	Inputs Selected	Phones
ON	Stereo	None	3/4



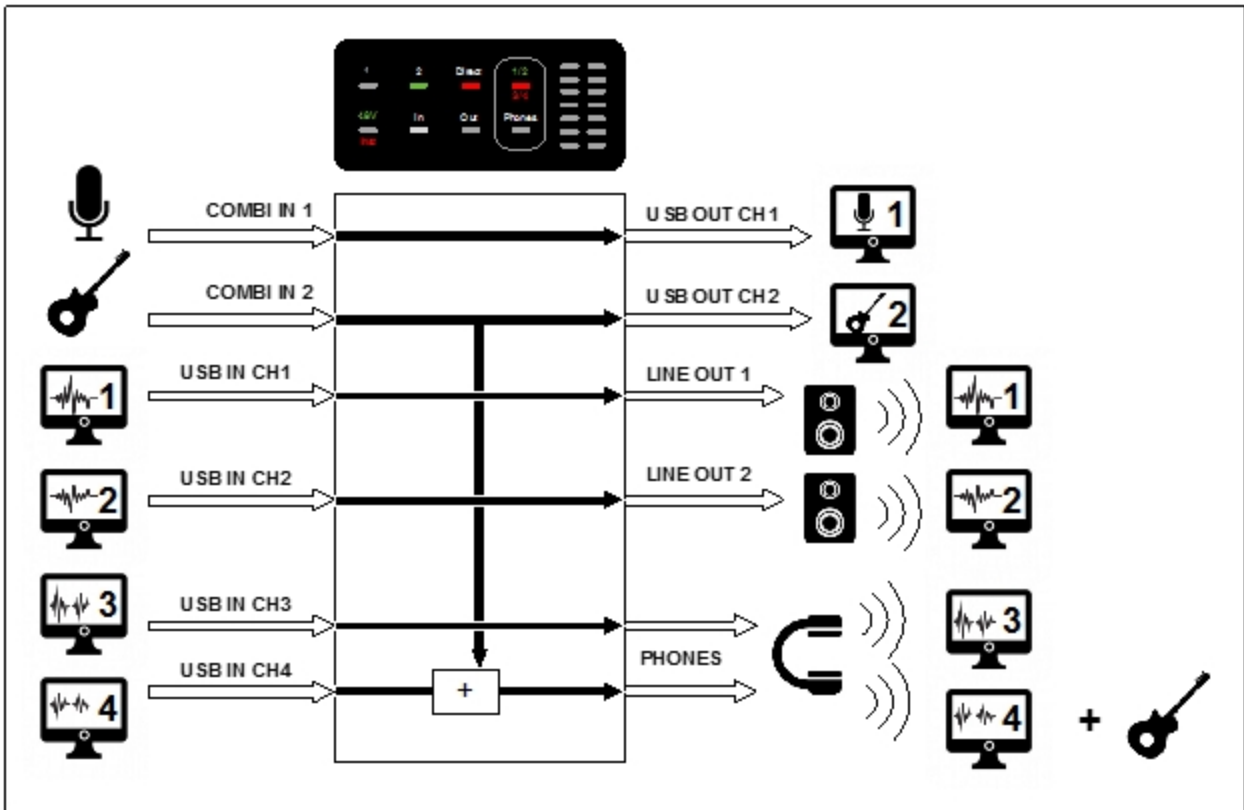
Direct Monitoring	Input Mode	Inputs Selected	Phones
ON	Stereo	Input 1	3/4



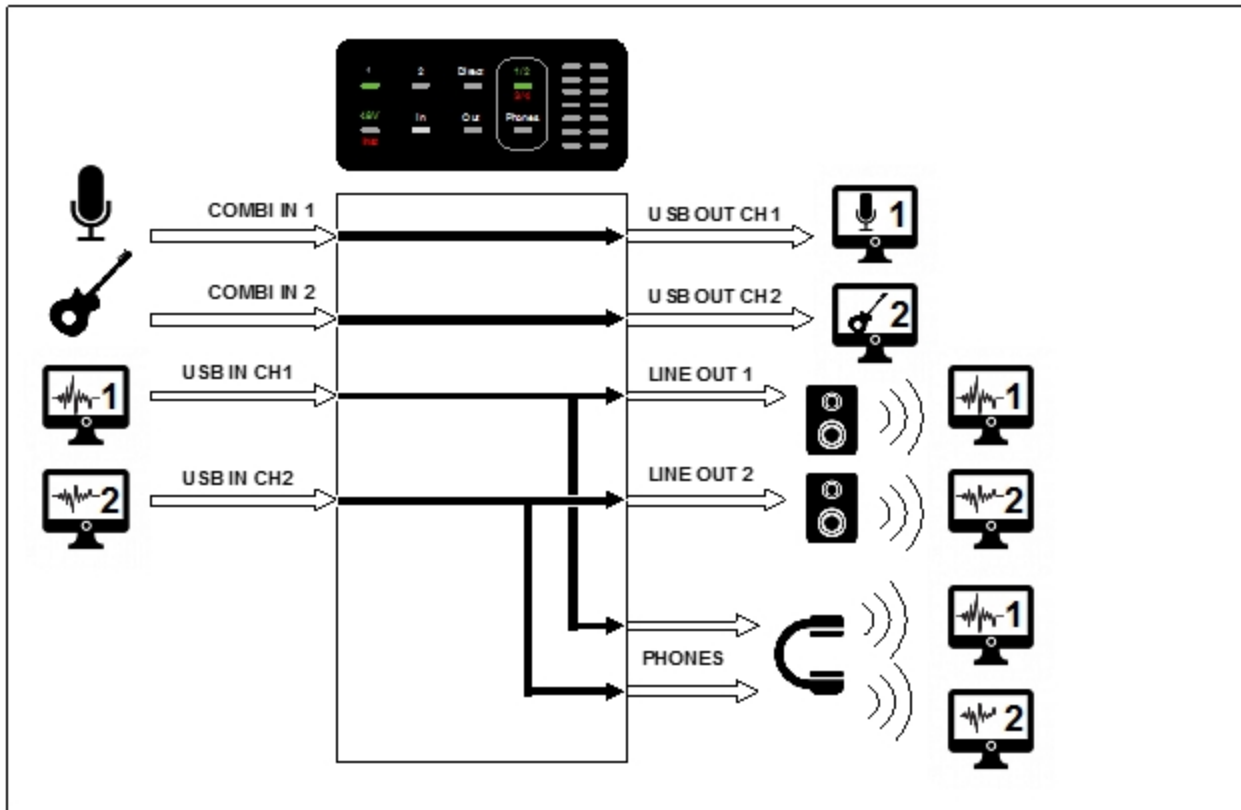
Direct Monitoring	Input Mode	Inputs Selected	Phones
ON	Stereo	Inputs 1 and 2	3/4



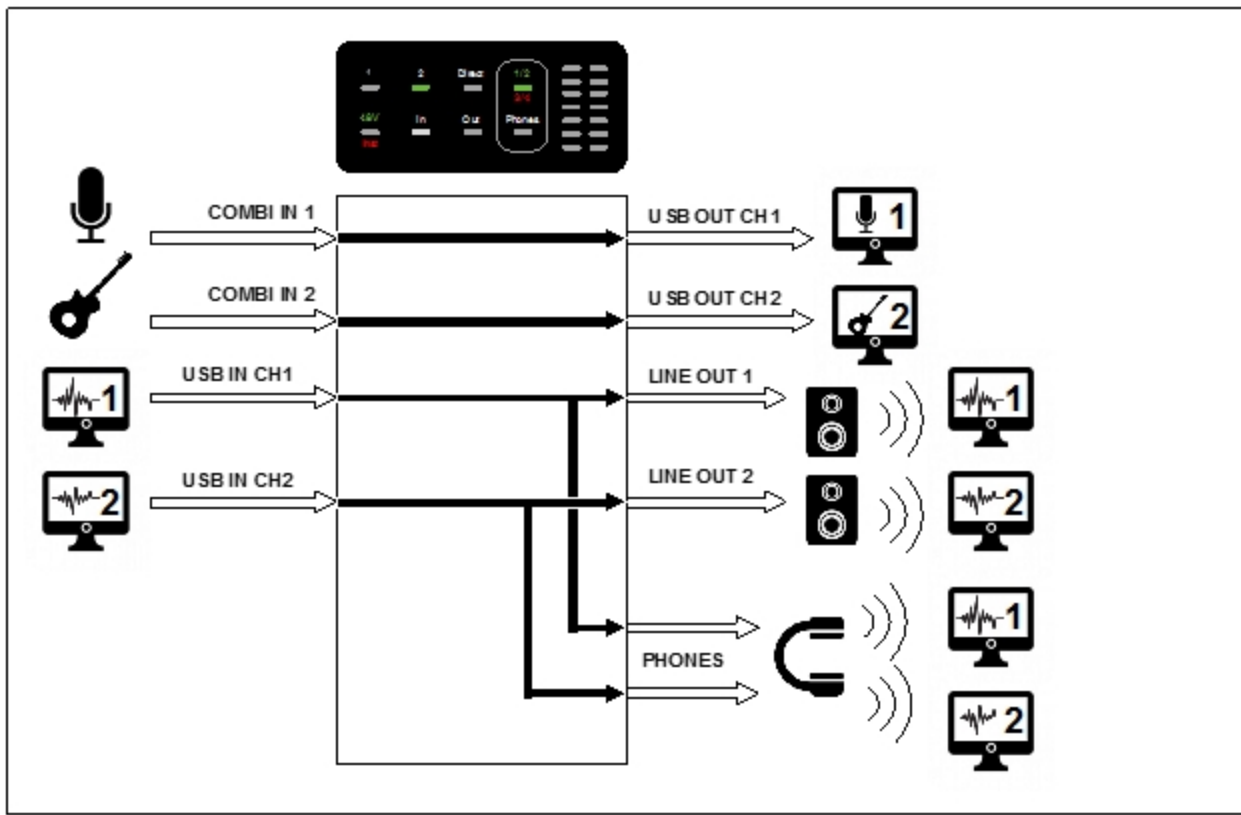
Direct Monitoring	Input Mode	Inputs Selected	Phones
ON	Stereo	Input 2	3/4



Direct Monitoring	Input Mode	Inputs Selected	Phones
OFF	Mono	Input 1	1/2



Direct Monitoring	Input Mode	Inputs Selected	Phones
OFF	Mono	Input 2	1/2



Contact iConnectivity

www.iConnectivity.com

support@iConnectivity.com

+1 403.457.1122

Monday to Friday 9:00 am to 5:00 pm (Mountain Time)

iConnectivity

#100, 925 26th Street NE

Calgary, AB T2A 6K8

Canada

Warranty

iConnectivity warrants to the original purchaser that this unit is free of defects in materials and workmanship under normal use and maintenance for a period of one (1) year from the date of original purchase. The warranty applies only to registered iConnectivity users that register their product(s) within fourteen (14) days of time of original purchase. To register iConnectivity products, visit iConnectivity.com. If the unit qualifies for warranty service during the one (1) year period, it will be repaired, or replaced, at iConnectivity's option, at no charge, when returned prepaid to the iConnectivity Technical Service Center with proof of purchase – the sales receipt may be used for this purpose. Installation labor is not covered under this warranty.

All replacement parts, whether new or re-manufactured, assume as their warranty period for only the remaining time of this warranty. This warranty does not apply to damage caused by improper use, accident, abuse, improper voltage service, fire, flood, lightning, or other acts of God, or if the product was altered or repaired by anyone other than iConnectivity Technical Service Center. Consequential and incidental damages are not recoverable under this warranty.

Some regions do not allow the exclusion or limitation of incidental or consequential damages, so the above limitation or exclusion may not apply. This warranty gives you specific legal rights, and you may also have other rights, which vary from state to state. No portion of this warranty may be copied or duplicated without the expressed written permission of iConnectivity. **THIS WARRANTY IS NOT TRANSFERRABLE.**

For warranty service, please contact iConnectivity via the contact information presented in the section above.