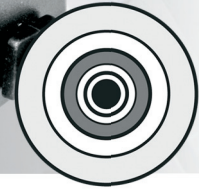


## Power Supplies

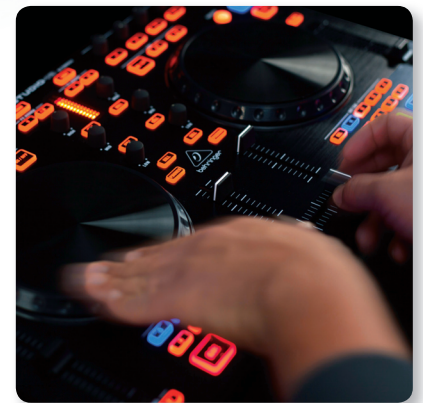
# PSU12-UK

230 V UK Replacement Power Supply for  
CMD MM-1 and CMD STUDIO 4A



- Replacement Power Supply for  
CMD MM-1 and CMD STUDIO 4A
- 3-Year Warranty Program\*
- Conceived and designed by  
BEHRINGER Germany

The PSU12-UK power supply is identical to the one that came with the products listed above, and is required for proper operation in your part of the world. We offer a wide range of region-specific Replacement Power Supplies designed specifically for your BEHRINGER device



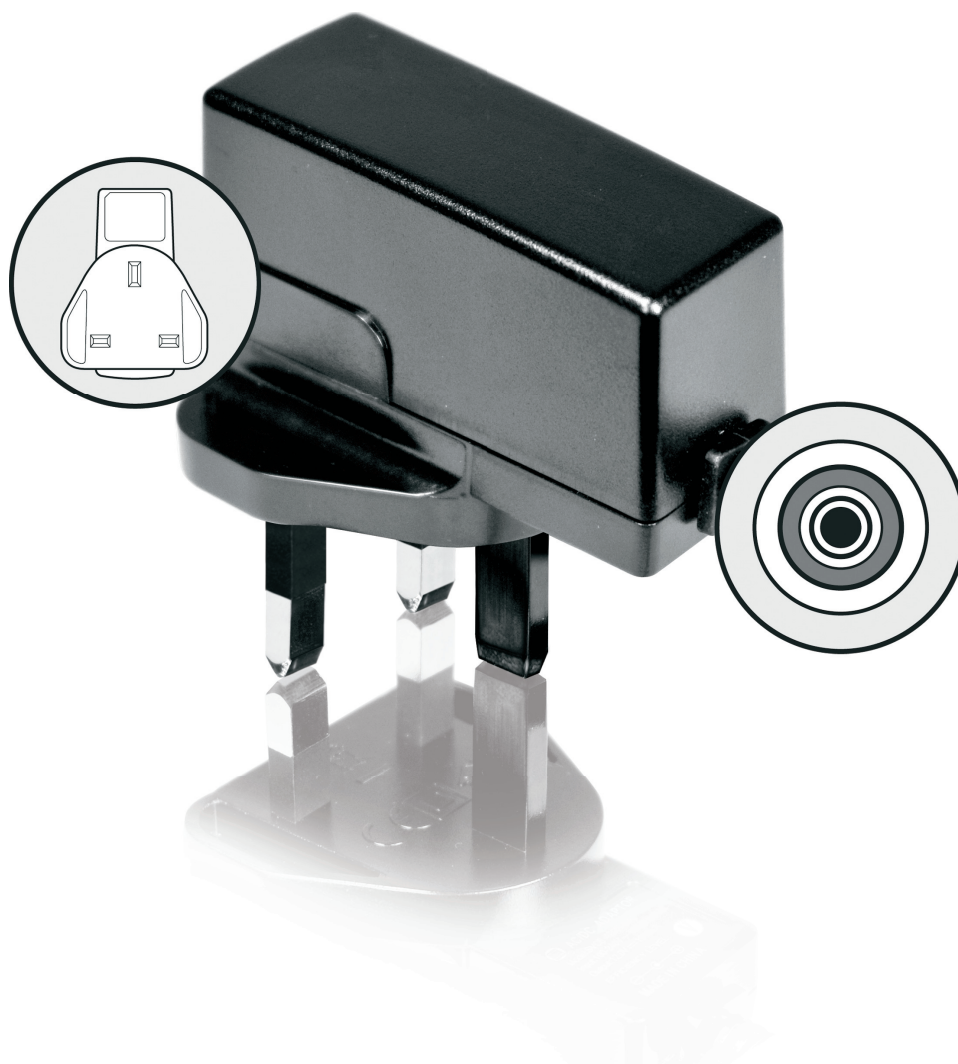
## You Are Covered

We always strive to provide the best possible Customer Experience. Our products are made in our own MUSIC Group factory using state-of-the-art automation, enhanced production workflows and quality assurance labs with the most sophisticated test equipment available in the world. As a result, we have one of the lowest product failure rates in the industry, and we confidently back it up with a generous 3-Year Warranty program.

\*Warranty details can be found at [music-group.com](http://music-group.com).

# PSU12-UK

230 V UK Replacement Power Supply for  
CMD MM-1 and CMD STUDIO 4A



Year Warranty

For service, support or more information contact the BEHRINGER location nearest you:

**Europe**  
**MUSIC Group Services UK**  
Tel: +44 156 273 2290  
Email: CARE@music-group.com

**USA/Canada**  
**MUSIC Group Services NV Inc.**  
Tel: +1 702 800 8290  
Email: CARE@music-group.com

**Japan**  
**MUSIC Group Services JP K.K.**  
Tel.: +81 3 6231 0454  
Email: CARE@music-group.com

MUSIC Group accepts no liability for any loss which may be suffered by any person who relies either wholly or in part upon any description, photograph, or statement contained herein. Technical specifications, appearances and other information are subject to change without notice. All trademarks are the property of their respective owners. MIDAS, KLARK TEKNIK, TURBOSOUND, BEHRINGER, BUGERA and DDA are trademarks or registered trademarks of MUSIC Group IP Ltd. © MUSIC Group IP Ltd. 2015 All rights reserved.