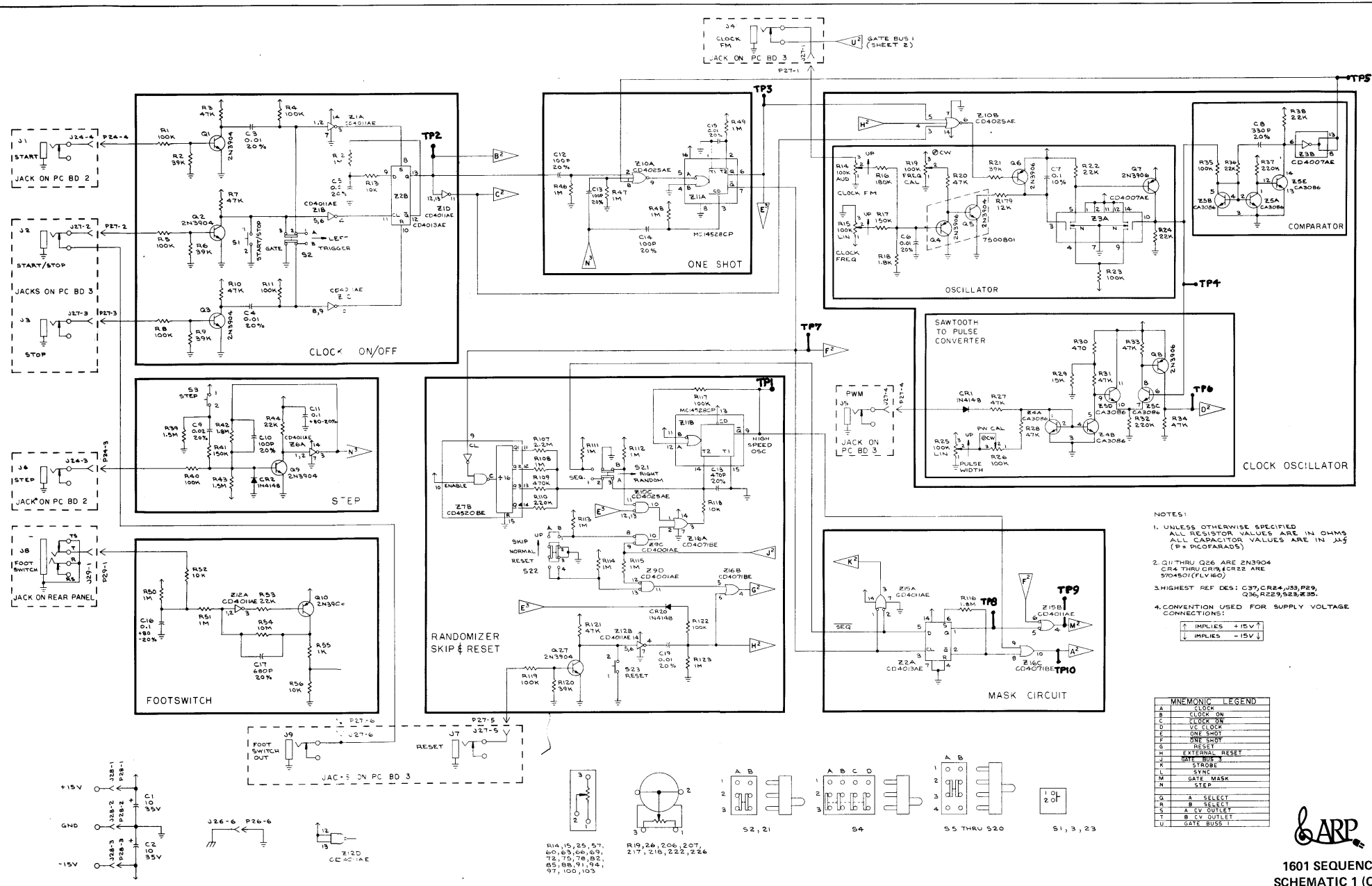
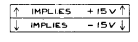


1601 SEQUENCER
BLOCK DIAGRAM



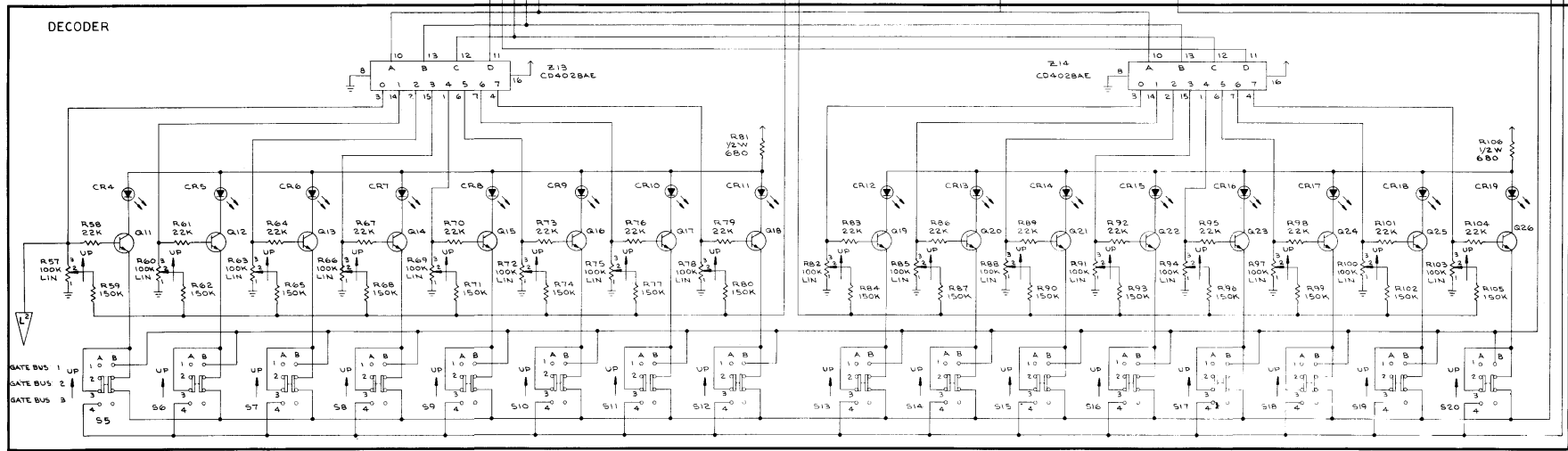
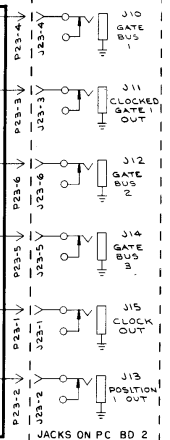
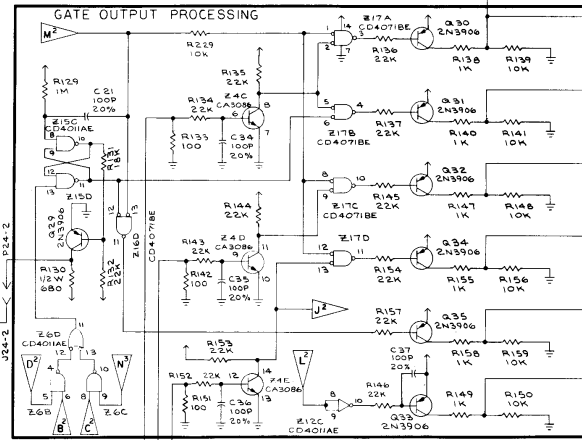
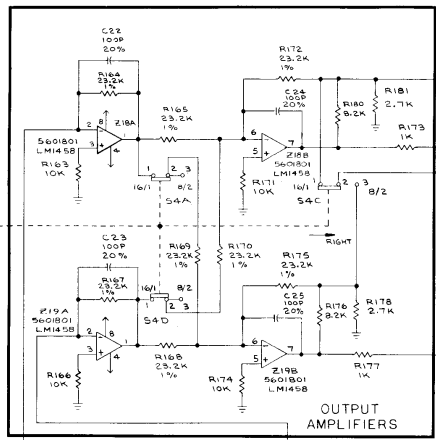
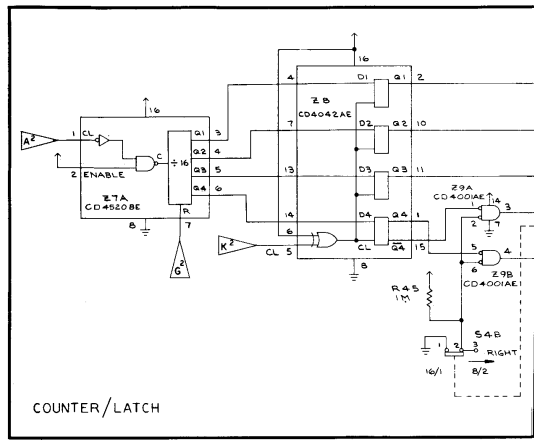
- NOTES:
- UNLESS OTHERWISE SPECIFIED ALL RESISTOR VALUES ARE IN OHMS ALL CAPACITOR VALUES ARE IN μ F (P = PICO FARADS).
 - Q1 THRU Q26 ARE 2N3904 CR4 THRU CR9, CR22 ARE 5Y04501 (FLV160)
 - HIGHEST REF DES: C37, CR4, J33, P29, Q36, R229, S28, S35.
 - CONVENTION USED FOR SUPPLY VOLTAGE CONNECTIONS:



MNEMONIC LEGEND	
A	CLOCK
B	CLOCK ON
C	CLOCK ON
D	1/2 CLOCK
E	ONE SHOT
F	ONE SHOT
G	RESET
H	EXTERNAL RESET
I	STEP
J	STEP
K	STROBE
L	STEP
M	GATE MASK
N	STEP
O	A SELECT
P	B SELECT
Q	A CV OUTLET
T	B CV OUTLET
U	GATE BUS 1

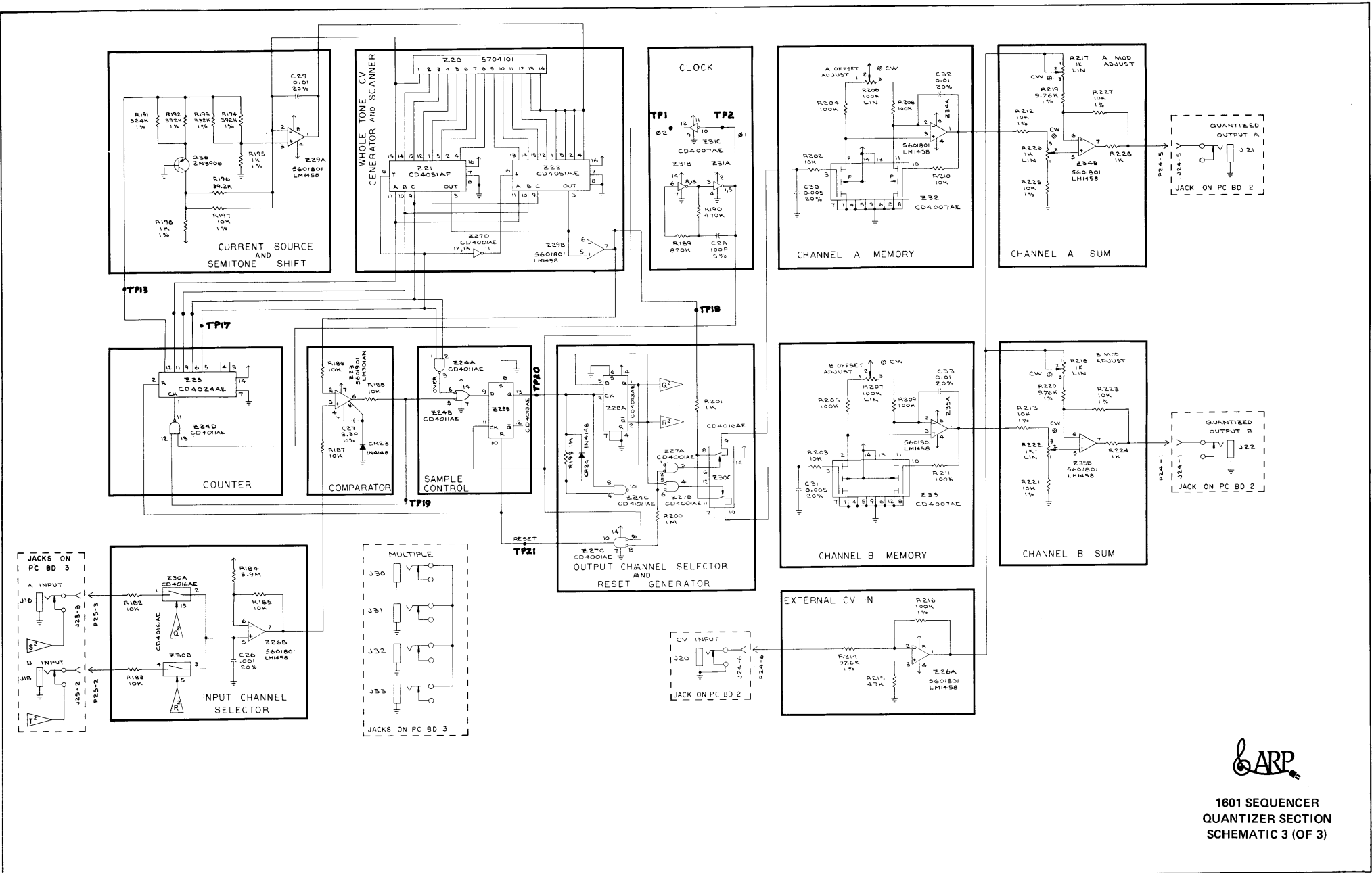
ARP
1601 SEQUENCER
SCHEMATIC 1 (OF 3)

BASE VIEWS LOOKING TOWARDS TERMINALS

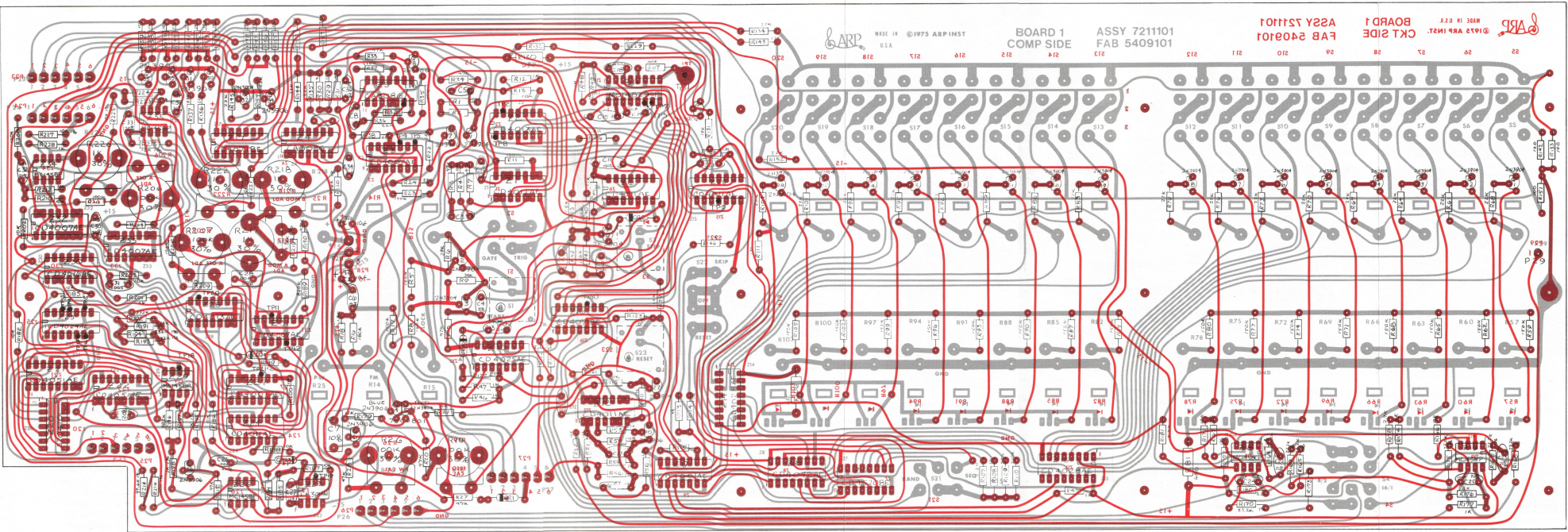


MNEMONIC LEGEND

A	CLOCK
B	CLOCK ON
C	1500HZ CW
D	V2 CLOCK
E	ONE SHOT
F	ONE SHOT
G	RESET
H	EXTERNAL RESET
J	GATE BUS 3
K	SYNCH
L	SYNCH
N	GATE MASK
N	STEP
Q	A SELECT
R	B SELECT
S	A CV OUTLET
T	B CV OUTLET
U	GATE BUS 1



1601 SEQUENCER
QUANTIZER SECTION
SCHEMATIC 3 (OF 3)



MADE IN U.S.A. ©1975 ARP INST.

BOARD 1
COMP SIDE

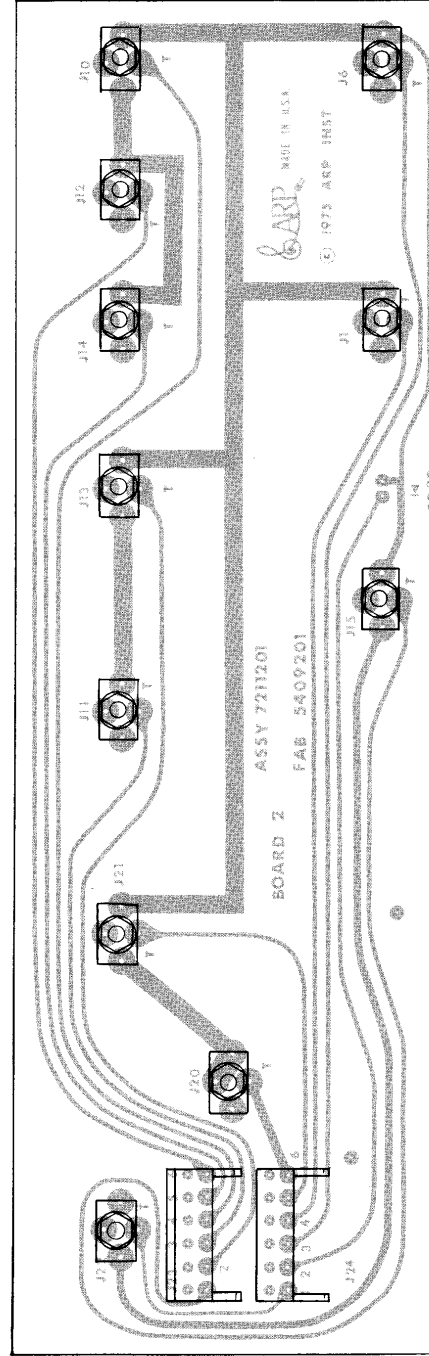
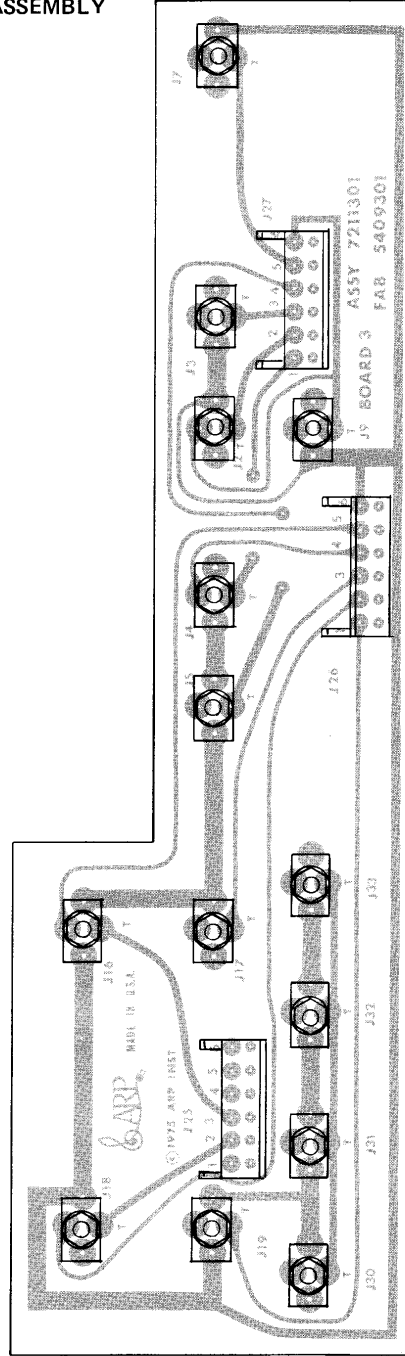
ASSY 721101
FAB 5409101

BOARD 1
CKT SIDE
ASSY 721101
FAB 5409101

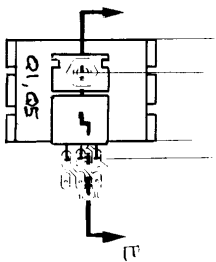
COMPONENT SIDE

1601 SEQUENCER
MAIN P.C. BOARD
ASSEMBLY

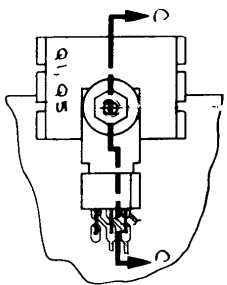
1601 SEQUENCER
 JACK BOARDS
 ASSEMBLY



POWER SUPPLY
LAYOUT
BOARD NO. 2904-003

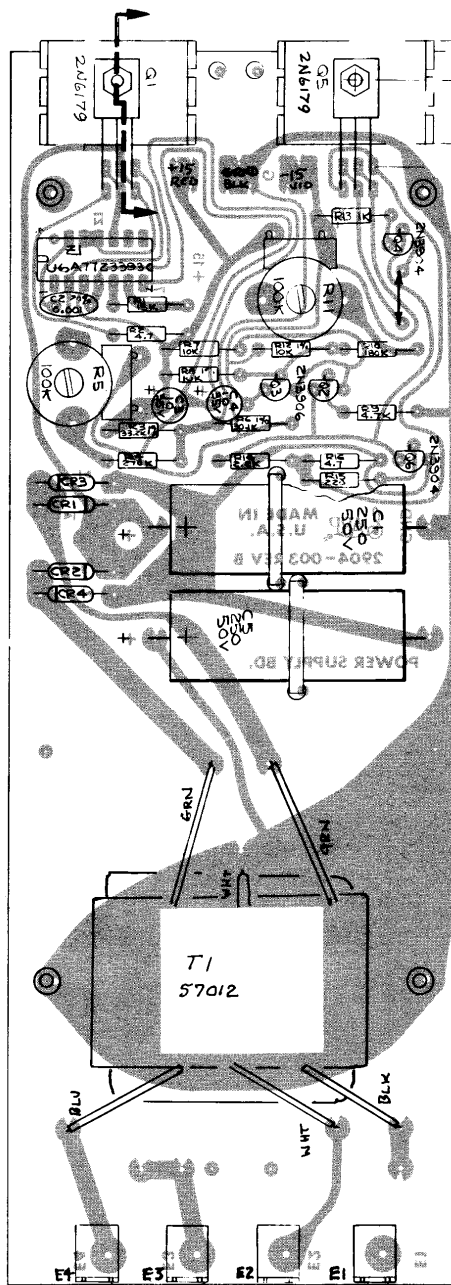


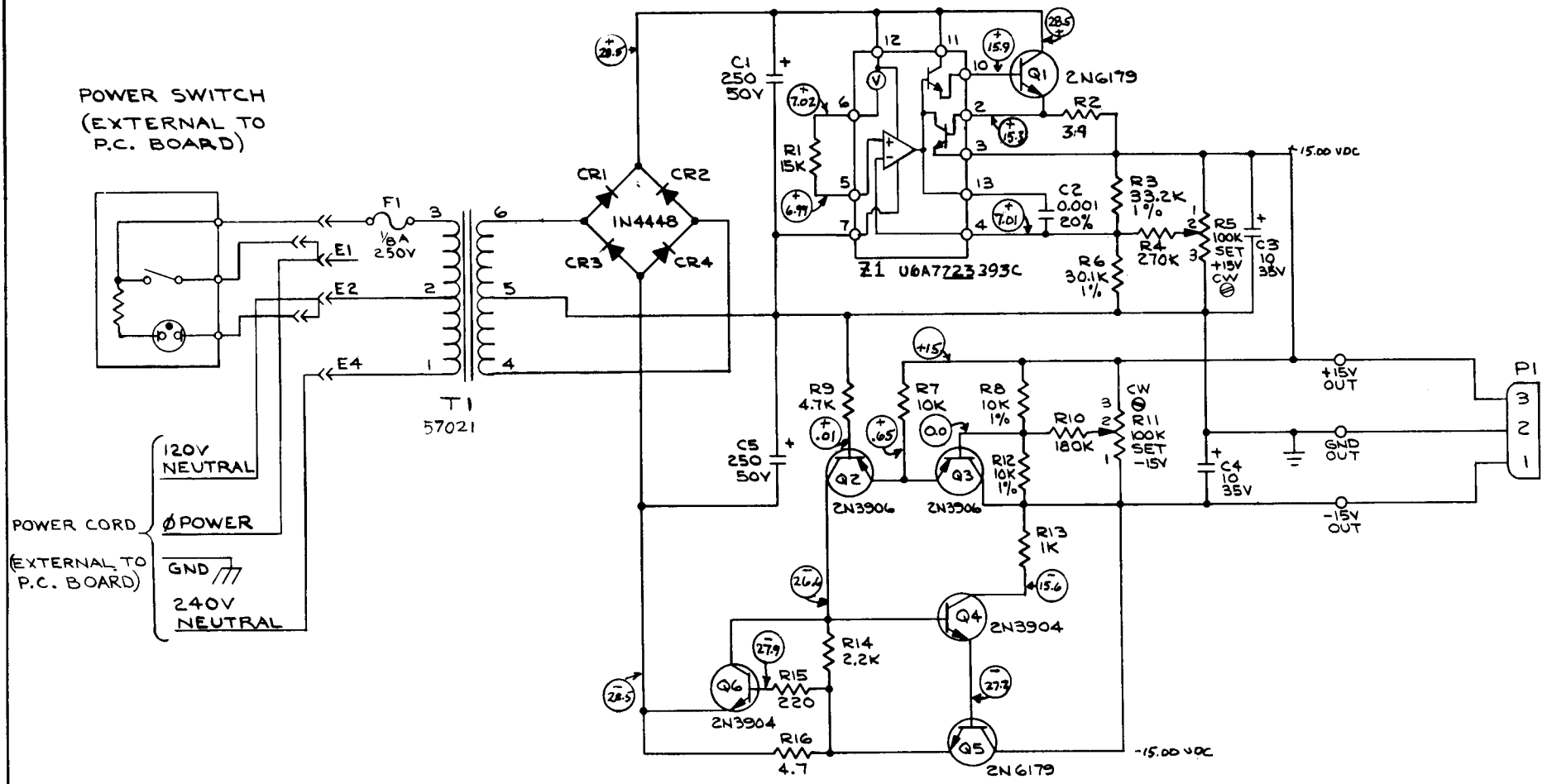
MOUNTING ALTERNATE
TRANSISTORS 2N5298 & 2N5434



MOUNTING ALTERNATE
TRANSISTOR D4004/2N6179

BOARD LAYOUT
COMPONENT SIDE VIEW

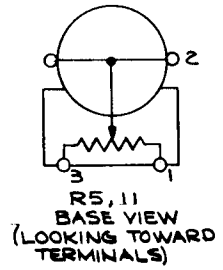




POWER SWITCH
(EXTERNAL TO
P.C. BOARD)

POWER CORD
(EXTERNAL TO
P.C. BOARD)

120V NEUTRAL
Ø POWER
GND
240V NEUTRAL



- NOTES:
- UNLESS OTHERWISE SPECIFIED:
RESISTOR VALUES ARE IN OHMS
CAPACITOR VALUES ARE IN µF (P= PICO FARADS)
 - HIGHEST REF. DES: Q6, Z1, CR4, C5, R16, , E4, T1 & F1
 - ⊙.00 INDICATES TYPICAL VOLTAGES AS READ WITH A DVOM.



POWER SUPPLY
SCHEMATIC
BOARD NO. 2904-003