



iPod Hi-Fi

User's Guide

使用手冊

使用手冊

사용 설명서

 Apple Computer, Inc.

© 2006 Apple Computer, Inc. All rights reserved.

Apple, the Apple logo, AirMac, and iPod are trademarks of Apple Computer, Inc., registered in the U.S. and other countries. AirPort Express, iPod Hi-Fi, and MacBook are trademarks of Apple Computer, Inc.

Contents

- 5 iPod Hi-Fi User's Guide
- 29 iPod Hi-Fi 使用手冊
- 53 iPod Hi-Fi 使用手冊
- 79 iPod Hi-Fi 사용 설명서

iPod Hi-Fi

User's Guide

Contents

- 9 **Chapter: 1 “Welcome”**
- 10 “iPod Hi-Fi Front View”
- 11 “iPod Hi-Fi Rear View”

- 12 **Chapter: 2 “Setting Up Your iPod Hi-Fi”**
- 12 “Step 1: Plug In Your iPod Hi-Fi or Insert Batteries”
- 13 “Step 2: Connect Your iPod”
- 14 “Step 3: Play Music”

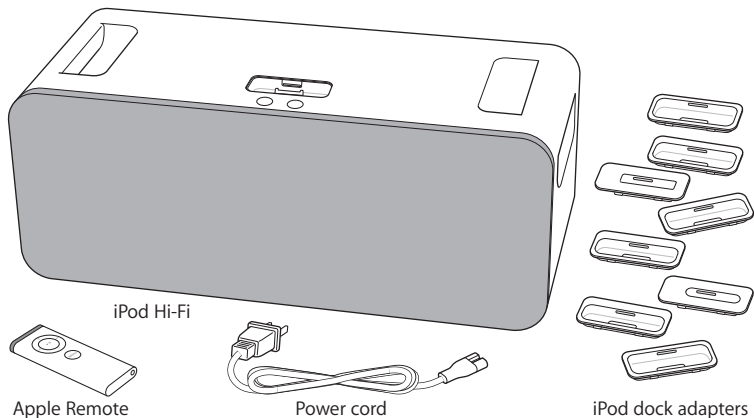
- 15 **Chapter: 3 “Using Your iPod Hi-Fi”**
- 15 “Connecting iPod”
- 16 “Changing iPod Screen Settings”
- 16 “Connecting Other Audio Devices or an iPod Without a Dock Connector”
- 18 “Adjusting the Sound”
- 20 “Using the Apple Remote”
- 23 “Saving Battery Life”

- 24 **Chapter: 4 “Tips and Troubleshooting”**

- 26 **Chapter: 5 “Learning More, Service, and Support”**

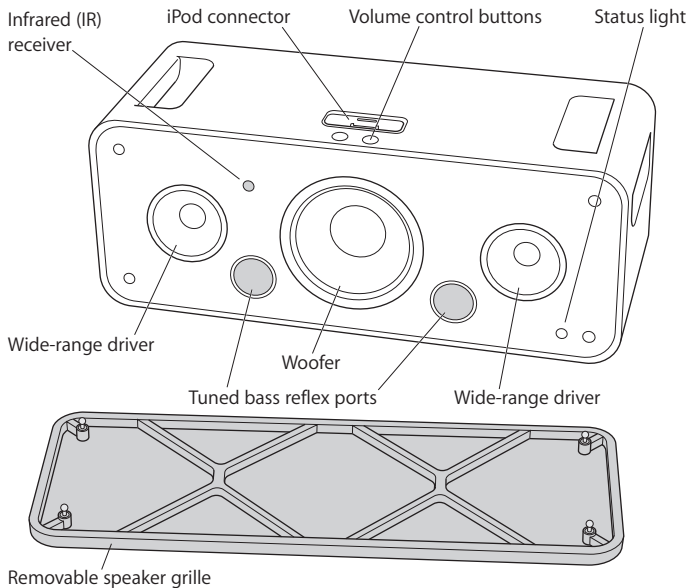
Congratulations on your new iPod Hi-Fi.

Your iPod Hi-Fi is a high-quality portable speaker system that plays music from any iPod. You can also use it to play music from other audio devices.



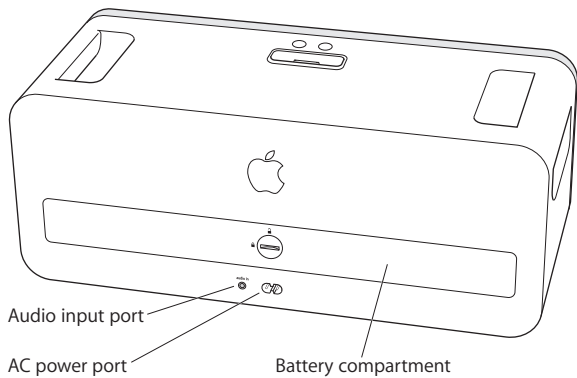
Note: Your power cord may look different from the one pictured here.

iPod Hi-Fi Front View



Note: You can use your iPod Hi-Fi with the speaker grille on or off. To best protect the speakers, leave the grille on. To avoid damage to the speakers, do not touch the speaker cones.

iPod Hi-Fi Rear View



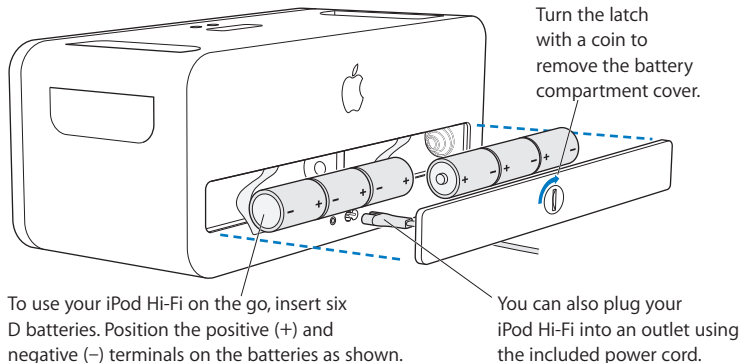
Setting Up Your iPod Hi-Fi

2

You can set up and start listening to music on your iPod Hi-Fi in a few easy steps.

Step 1: Plug In Your iPod Hi-Fi or Insert Batteries

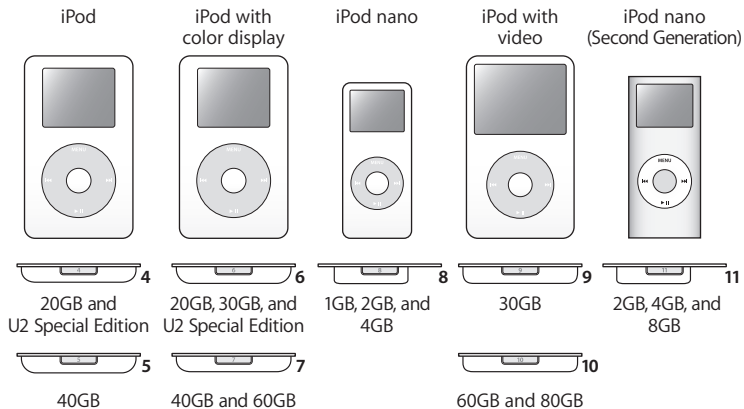
You can plug in your iPod Hi-Fi, or insert six D batteries to use it on the go.



Step 2: Connect Your iPod

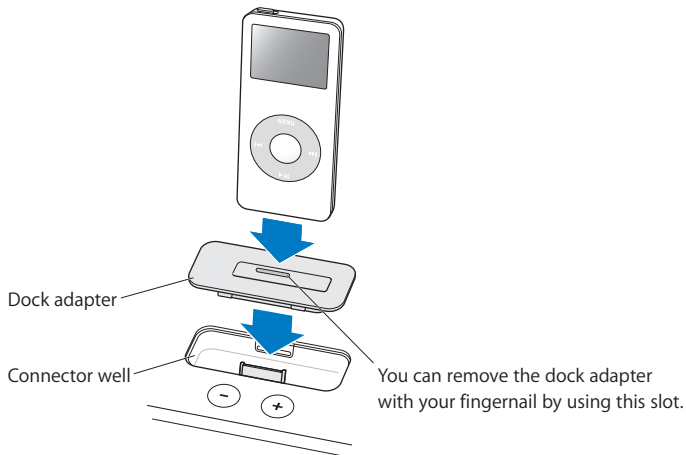
Choose the dock adapter that fits your iPod. Your iPod fits snugly into the correct adapter.

The number (4–11) shows which iPod fits



Note: If there is no dock adapter for your model of iPod included with your iPod Hi-Fi, you can purchase one at www.apple.com/ipodstore. If you have an older iPod that doesn't have a dock connector on the bottom, you can use an audio cable to connect it to the audio input port (see page 16).

Insert the dock adapter into your iPod Hi-Fi and connect your iPod. The iPod Hi-Fi status light blinks green.



Step 3: Play Music

Browse for a song on iPod, then press Play (▶) and enjoy! Use the buttons on your iPod Hi-Fi or on the included Apple Remote to increase or decrease the volume.

Read on to learn about connecting iPod to your iPod Hi-Fi, connecting other audio devices, adjusting the sound, using the Apple Remote, and more.

Connecting iPod

You can connect any iPod to your iPod Hi-Fi. If your iPod has a dock connector, you can insert it into your iPod Hi-Fi. If your iPod doesn't have a dock connector, you can use an audio cable to connect it to the audio input port (see page 16).

To connect an iPod with a dock connector:

- Insert the dock adapter that fits your iPod, and then connect your iPod as shown on page 14. The status light blinks green.

Your iPod Hi-Fi includes dock adapters that work with most models of iPod with dock connectors. If you want to connect a different iPod, you can easily remove the dock adapter from your iPod Hi-Fi using a fingernail, insert the adapter that fits the other iPod, and then insert the other iPod.

If there is no dock adapter for your model of iPod included with your iPod Hi-Fi, you can purchase one at www.apple.com/ipodstore.

Changing iPod Screen Settings

With some newer iPod models, you can set how the backlight behaves when iPod is connected to your iPod Hi-Fi. You can also set whether you see the Now Playing screen or album artwork on iPod. You're able to change these settings if you see a Speakers item in the main menu when you connect your iPod.

To set how the backlight behaves, choose Speakers and follow these instructions:

- *To set the backlight to be on when music is playing*, set Backlight to While Playing.

Note: This is the default setting.

- *To set the backlight to turn on when you use the remote or the iPod controls*, set Backlight to On Keypress.
- *To set the backlight to be on always*, set Backlight to Always On.
- *To set the backlight to be off always*, set Backlight to Always Off.

To set your iPod to display full screen album artwork (when artwork is available for that song):

- Choose Speakers and set Large Album Art to On.

Connecting Other Audio Devices or an iPod Without a Dock Connector

Your iPod Hi-Fi has a digital/analog audio input port. You can use it to play music from an iPod that doesn't have a dock connector, or from other audio devices, such as a CD player, stereo receiver, or computer. If you have an AirPort Express Base Station, you can connect it to your iPod Hi-Fi and play music from a computer in another room.

You connect audio devices or an older iPod using an audio cable with a standard 3.5 millimeter stereo miniplug. For higher-quality sound, you can connect an optical digital audio device using an optical digital audio cable with a Mini-Toslink connector.



3.5mm Stereo Miniplug
(available separately)



Optical digital cable with Mini-Toslink connector
(available separately)

To play music from another audio device through your iPod Hi-Fi:

- 1 Connect an audio cable to the audio input port on your iPod Hi-Fi and to a line-level port or headphones port on the device.

WARNING: Distortion may occur if you connect your iPod Hi-Fi to a device with an output higher than 2V (volts) RMS. Do not connect your iPod Hi-Fi to the speaker outputs from another device. You could damage your iPod Hi-Fi.

- 2 Turn on the device and begin playing music from it.
See the documentation that came with the device for more information.

To switch playback from an iPod to a device connected to the audio input port:

If an iPod with a dock connector and an audio device are connected to your iPod Hi-Fi at the same time, your iPod Hi-Fi plays music from the iPod by default.

- Press and hold the Menu button on the remote. The status light blinks green, and the iPod pauses. To switch back to the iPod, press and hold the Menu button again.

You can also remove your iPod to switch to a device connected to the audio input port.

To play audio from your computer using your iPod Hi-Fi:

- You can connect an AirPort Express Base Station to your iPod Hi-Fi and stream audio wirelessly from a computer in another room.

For more information, go to www.apple.com/airportexpress.

- In most cases, you can also connect a computer directly to your iPod Hi-Fi using an audio cable. If you have a computer with optical digital audio, such as a Mac Pro or a MacBook Pro, you can connect it using an optical digital cable for better quality sound.

Adjusting the Sound

To adjust the volume:

- Press the Volume Up (+) or Volume Down (–) button on top of your iPod Hi-Fi or on the included remote.

With some newer models of iPod, you can also adjust the volume using the iPod Click Wheel.

If you connect another audio device that has volume controls to the audio input port, such as a stereo receiver, you can also change the volume using the other device. Experiment to see which volume level sounds best when using the device with your iPod Hi-Fi.

To change equalizer settings:

- If you're playing music through an iPod, change the settings on the iPod. Choose Settings > EQ and choose an equalizer preset.
- If you're playing music through a device connected to the audio input port, change equalizer settings on the device, if possible. See the documentation that came with the device.

To increase the bass or the treble:

With some newer models of iPod, you can also set your iPod Hi-Fi to increase the bass or the treble. You're able to adjust this setting if you see a Speakers item in the main menu when you connect your iPod.

- Choose Speakers > Tone Control, and then choose Treble Boost, Normal, or Bass Boost.

Using the Apple Remote

You can use the included infrared remote to control playback. Make sure there are no obstructions between the remote and your iPod Hi-Fi.

Using the Remote with iPod

To use the remote when playing music from an iPod connected to your iPod Hi-Fi, follow the instructions below.

To	Do This
Play or pause a song	Press the Play/Pause (▶) button.
Change the volume	Press the Volume Up (+) or Volume Down (−) button.
Skip to the next song	Press the Next/Fast-forward (▶▶) button.
Restart a song or play the previous song	Press the Previous/Rewind (◀◀) button once to restart a song. Press it twice to play the previous song.
Fast-forward or rewind a song	Press and hold the Next/Fast-forward (▶▶) or Previous/Rewind (◀◀) button.
Switch to a device connected to the audio input port	Press and hold the Menu button (or remove iPod).

Note: You can't use the remote to skip to a different playlist. You must use the iPod controls to choose another playlist.

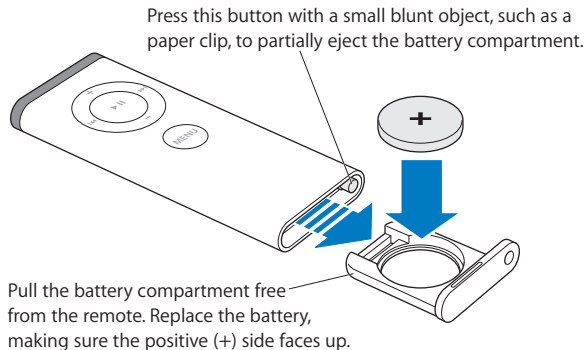
Using the Remote With Another Audio Device

To use the remote when playing music from a device connected to the audio input port, follow the instructions below.

To	Do This
Change the volume	Press the Volume Up (+) or Volume Down (-) button. (You can also use the volume controls on the audio device.)
Mute or unmute the sound	Press the Play/Pause (▶) button.
Switch to an iPod connected to your iPod Hi-Fi	Press and hold the Menu button.

Changing the Battery

The remote includes a battery. When needed, you can replace it with a CR2032 battery.



Pairing Your iPod Hi-Fi with the Remote

The included Apple Remote works with other compatible Apple products that have a built-in infrared (IR) receiver. You can set your iPod Hi-Fi to work only with the included remote so that remotes for your other devices don't affect your iPod Hi-Fi.

You may wish to pair your other Apple Remote-compatible devices with other Apple Remotes so that the remote you use with your iPod Hi-Fi doesn't affect those devices. See the documentation that came with the other devices for instructions.

To set your iPod Hi-Fi to work only with the included remote:

- 1 Connect your iPod Hi-Fi to an electrical outlet.

Note: If your iPod Hi-Fi has batteries, you don't need to connect it to an outlet.

- 2 Make sure other products that are compatible with the remote are not in range, and hold the remote close to your iPod Hi-Fi (about 3 to 4 inches away).
- 3 Press and hold the Menu and Next/Fast-forward (▶▶) buttons on the remote simultaneously for about six seconds. The status light blinks green several times.

Your iPod Hi-Fi now works only with the paired remote.

To reset your iPod Hi-Fi to work with all Apple Remotes:

- Follow steps 1 and 2 above. Then press and hold the Menu and Previous/Rewind (◀◀) buttons on the remote simultaneously for about six seconds. The status light blinks green several times.

Your iPod Hi-Fi now works with all Apple Remotes.

Saving Battery Life

When not in use, your iPod Hi-Fi enters a low-power standby mode to save battery life. However, if you don't plan to use your iPod Hi-Fi for an extended period, you may wish to remove the batteries to extend battery life even longer. For information on changing the batteries, see page 12.

Note: If you are using your iPod Hi-Fi with batteries (and not plugged into an electrical outlet) and you connect an iPod with a dock connector, the batteries in your iPod Hi-Fi will provide a minimum charge to iPod. If you don't want the batteries in your iPod Hi-Fi to expend power when iPod isn't playing, remove iPod from your iPod Hi-Fi. If your iPod Hi-Fi is plugged into an electrical outlet, the iPod battery charges until it is fully charged.

Most problems with your iPod Hi-Fi can be solved quickly by following the advice in this chapter.

If your iPod Hi-Fi won't play music or respond

- Make sure the volume isn't turned down all the way. If another audio device is connected, make sure the volume on that device isn't turned down all the way.
- Unplug your iPod Hi-Fi, wait about five seconds, and plug it in again. Make sure the power cord connectors on both ends of the power cord are pushed in all the way.
- If you're using batteries, make sure the batteries are inserted correctly.
- If an iPod and another audio device are connected, make sure your iPod Hi-Fi is set to play from the device you want (see page 18).
- The batteries may need to be replaced (see page 12).

If your iPod won't respond

- Make sure the Hold switch is off and your iPod is not paused.
- Reset your iPod. Connect iPod to your iPod Hi-Fi, set the Hold switch to HOLD, and then turn it off again. Then press and hold the Center and Menu buttons for about six seconds, until the Apple logo appears.

Note: If you have an original iPod with a dock connector (with four buttons below the display), press and hold the Play/Pause (▶||) and Menu buttons to reset it.

- If that doesn't work, see the documentation that came with your iPod for more information.

If the remote isn't working

- Make sure to point the remote directly at your iPod Hi-Fi.
- Make sure the remote sensor on the front panel of your iPod Hi-Fi (see page 10) is not blocked.
- Make sure you can play music through your iPod Hi-Fi using the iPod controls. The problem may not be with the remote.
- The remote battery may need to be replaced (see page 21).
- If you have more than one Apple Remote and you have paired your iPod Hi-Fi with one of them, make sure you're using the right remote. For instructions on setting your iPod Hi-Fi to work with any Apple Remote, see page 22.

If your iPod Hi-Fi isn't playing music from another device

- Make sure the volume on the device and on your iPod Hi-Fi isn't turned down all the way.
- If an iPod is connected to your iPod Hi-Fi, disconnect it, or press and hold the Menu button on the remote until the status light blinks green.
- Make sure you're using the correct audio cable (see page 16) and that it is connected firmly to your iPod Hi-Fi and to the device.
- Make sure the device is turned on and functioning correctly. See the documentation that came with the device for more information.

Learning More, Service, and Support

5

You can find more information about using your iPod Hi-Fi on the web.

Safety and Regulatory Compliance

For important safety and regulatory compliance information, see the included iPod Hi-Fi Safety and Regulatory Compliance Information booklet.

Online Resources

For the latest information about the iPod Hi-Fi, go to www.apple.com/ipodhifi.

For service and support information, go to www.apple.com/support/ipodhifi.

For an online iPod tutorial, iPod service and support information, and the latest Apple software downloads, go to www.apple.com/support/ipod.

To register your iPod Hi-Fi, go to www.apple.com/register.

Obtaining Warranty Service

If the product appears to be damaged or does not function properly, please follow the advice in this booklet, in the included iPod Hi-Fi safety booklet, and the online resources.

If the unit still does not function, go to www.apple.com/support/ipodhifi for instructions on how to obtain warranty service.

Finding the Serial Number of Your iPod Hi-Fi

The serial number is printed on the inside of the battery compartment of your iPod Hi-Fi.

iPod Hi-Fi

使用手册

目录

- 33 第 1 章: “欢迎使用”
- 34 “iPod Hi-Fi 前视图”
- 35 “iPod Hi-Fi 后视图”

- 36 第 2 章: “安装 iPod Hi-Fi”
- 36 “步骤 1: 将 iPod Hi-Fi 的电源线插入电源插座或装入电池”
- 37 “步骤 2: 连接 iPod”
- 38 “步骤 3: 播放音乐”

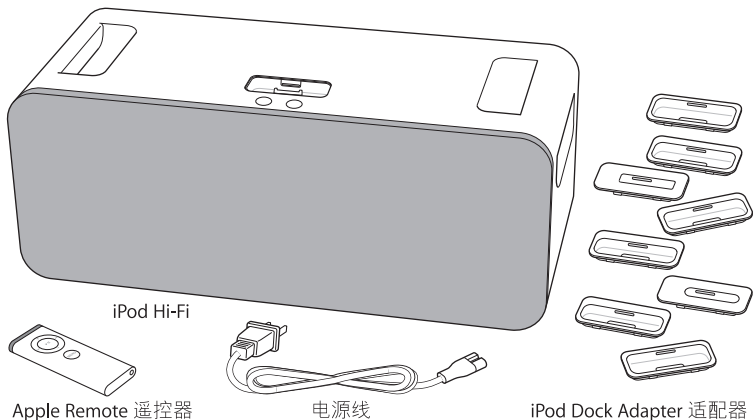
- 39 第 3 章: “使用 iPod Hi-Fi”
- 39 “连接 iPod”
- 40 “更改 iPod 屏幕设置”
- 40 “连接其他音频设备或没有 Dock 接口的 iPod”
- 42 “调整声音”
- 44 “使用 Apple Remote 遥控器”
- 47 “节省电池寿命”

- 48 第 4 章: “使用技巧和疑难解答”

- 50 第 5 章: “了解服务与支持以及更多信息”

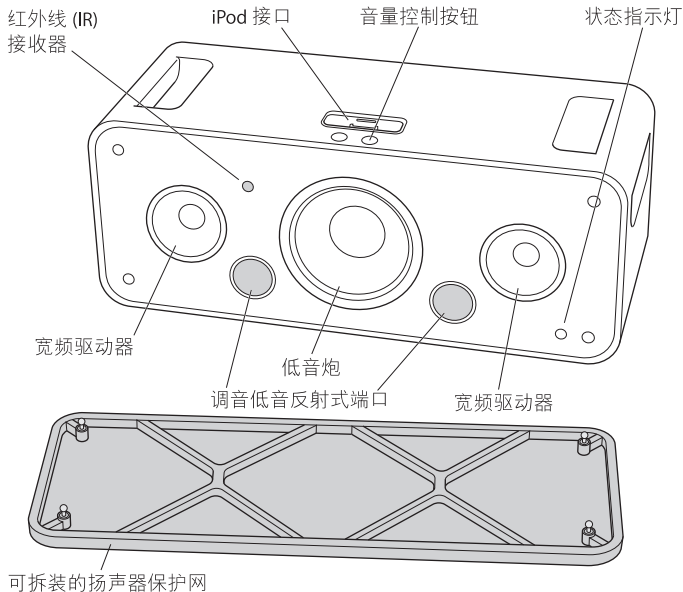
恭喜您购买了新的 iPod Hi-Fi。

iPod Hi-Fi 是一款优质的便携式扬声系统，可以播放任一款 iPod 上的音乐。您也可以使用它播放其他音频设备上的音乐。



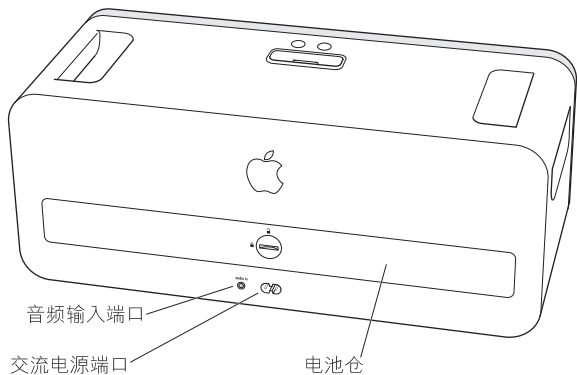
【注】 您的电源线有可能看起来和此处图示的不同。

iPod Hi-Fi 前视图



【注】 在您使用 iPod Hi-Fi 时，扬声器保护网可以是装上或卸下的。为使扬声器得到最好保护，请装上保护网。为避免损坏扬声器，请不要触摸扬声器薄膜。

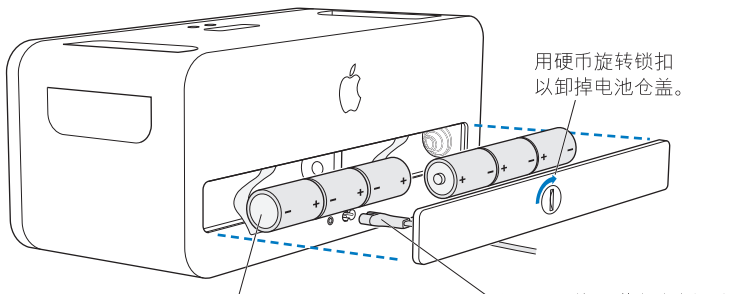
iPod Hi-Fi 后视图



只需要简单的几个步骤，您就可以安装好 iPod Hi-Fi 并开始使用它欣赏音乐。

步骤 1: 将 iPod Hi-Fi 的电源线插入电源插座或装入电池

您可以将 iPod Hi-Fi 的电源线插入电源插座或装入六节 D 电池，以随时使用它。



用硬币旋转锁扣以卸掉电池仓盖。

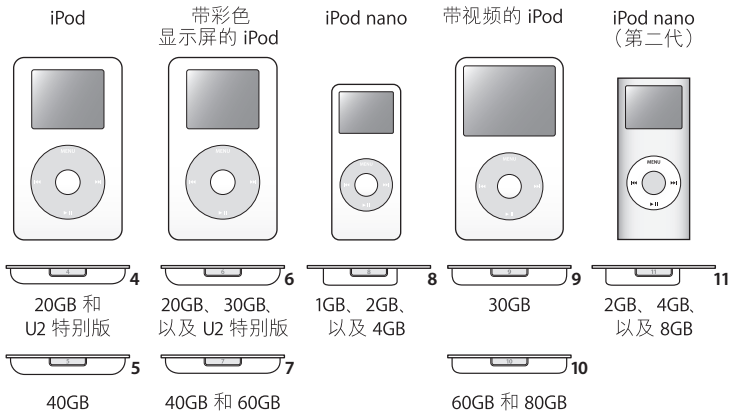
要在路上使用您的 iPod Hi-Fi，请装入六节 1 号 D 电池。电池的正极 (+) 和负极 (-) 放置的位置如图所示。

您也可以使用附带的电源线将 iPod Hi-Fi 插入插座。

步骤 2: 连接 iPod

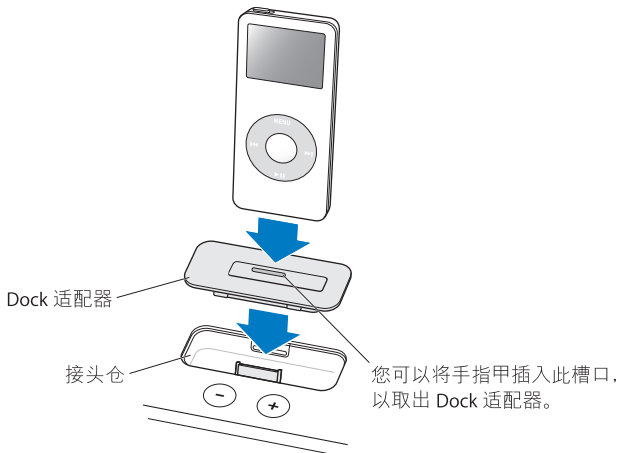
选择适合您的 iPod 的 Dock 适配器。iPod 与合适的适配器可以很好地吻合。

数字 (4–11) 显示适合于您的 iPod 的适配器



【注】如果 iPod Hi-Fi 没有附带适用于您的 iPod 机型的 Dock 适配器，您可以从网站 www.apple.com.cn/store 购买。如果您使用的是早期的 iPod，其底部没有 Dock 接口，您可以使用音频电缆将它连接至音频输入端口（请参阅第 40 页）。

将 Dock 适配器插入 iPod Hi-Fi 并与 iPod 连接。iPod Hi-Fi 状态指示灯会呈绿色闪亮。



步骤 3: 播放音乐

在 iPod 中浏览以查找某首歌曲，然后按下播放按钮 (▶||)，您就可以欣赏它了！使用 iPod Hi-Fi 上的按钮或使用附带的 Apple Remote 遥控器上的按钮，可以调高或调低音量。

请继续阅读，以了解有关将 iPod 连接到 iPod Hi-Fi、连接其他音频设备、调整音量、使用 Apple Remote 遥控器等操作的信息。

连接 iPod

您可以将任一款 iPod 连接到 iPod Hi-Fi。如果 iPod 带有 Dock 接口，则可以将 iPod 插入 iPod Hi-Fi。如果 iPod 没有 Dock 接口，则您可以使用音频电缆将其连接到音频输入端口（请参阅第 40 页）。

要连接带有 Dock 接口的 iPod：

- 插入适合您的 iPod 的 Dock 适配器，然后连接 iPod，如第 38 页所示。状态指示灯会呈绿色闪亮。

iPod Hi-Fi 附带的 Dock 适配器可以与大多数带有 Dock 接口的 iPod 机型配合使用。如果您想要连接不同机型的 iPod，您可以用指甲将 Dock 适配器从 iPod Hi-Fi 上轻松地取下，插入适用于其他 iPod 的适配器，然后插入其他 iPod。

如果 iPod Hi-Fi 没有附带适用于您的 iPod 机型的 Dock 适配器，您可以从网站 www.apple.com.cn/store 购买。

更改 iPod 屏幕设置

使用某些较新的 iPod 机型，您可以在 iPod 连接在 iPod Hi-Fi 上时设定背光灯的显示。您也可以设定您是否可以在 iPod 上看到“正在播放”屏幕或专辑插图。如果您当连接 iPod 时在主菜单中看到“扬声器”项，则您可以更改这些设置。

要设定背光灯的显示，请选取“扬声器”，然后按照以下说明进行操作：

- 要设定背光灯在音乐播放时打开，请将“背光灯”设定为“正在播放时”。

【注】这是预设设置。

- 要将背光灯设定为在您使用遥控器或 iPod 控制按钮时打开，请将“背光灯”设定为“按键按下时打开”。
- 要将背光灯设定为始终打开，请将“背光灯”设定为“一直打开”。
- 要将背光灯设定为始终关闭，请将“背光灯”设定为“一直关闭”。

要将 iPod 设定为显示全屏专辑插图（当该首歌有插图时）：

- 选取“扬声器”并将“大专辑插图”设定为“打开”。

连接其他音频设备或没有 Dock 接口的 iPod

您的 iPod Hi-Fi 带有一个数字 / 模拟音频输入端口。您可以使用它来播放没有 Dock 接口的 iPod 上的音乐或其他音频设备（如 CD 播放机、立体声接收机或电脑）上的音乐。如果您有 AirPort Express 基站，则可以将其连接到 iPod Hi-Fi 并播放另一个房间中的电脑上的音乐。

您可以使用带有 3.5 毫米标准立体声小插头的音频电缆来连接音频设备或旧款 iPod。要想听到高质量的声音，您可以使用带 Mini-Toslink 接头的光数码音频电缆来连接光数码音频设备。



3.5 毫米立体声小插头
(单独售卖)



带 Mini-Toslink 接头的光数码
电缆 (单独售卖)

要使用 iPod Hi-Fi 播放其他音频设备上的音乐：

- 1 将音频电缆的一端连接到 iPod Hi-Fi 上的音频输入端口，然后将另一端连接到设备上的线路电平端口或耳机端口。

【警告】 如果将 iPod Hi-Fi 连接到输出大于 2V（伏）RMS 的设备，可能会出现失真现象。切勿将 iPod Hi-Fi 连接到另一个设备的扬声器输出。这样可能会损坏 iPod Hi-Fi。

- 2 打开设备，开始播放音乐。
有关更多信息，请参阅设备附带的文稿。

要将回放从 iPod 切换到连接在音频输入端口上的设备：

如果带有 Dock 接口的 iPod 和音频设备被同时连接到 iPod Hi-Fi 上，则预设情况下，iPod Hi-Fi 会播放 iPod 上的音乐。

- 按住遥控器上的 Menu（菜单）按钮。状态指示灯呈绿色闪亮，iPod 暂停播放。要切换回 iPod，请再次按住 Menu（菜单）按钮。

您也可以取下 iPod，以切换到连接在音频输入端口上的设备。

要使用 iPod Hi-Fi 播放电脑上的音频：

- 您可以将 AirPort Express 基站连接到 iPod Hi-Fi，以无线方式播放另一个房间中的电脑上的音频。有关更多信息，请访问 www.apple.com/airportexpress。
- 在大多数情况下，您也可以使用音频电缆将电脑直接连接到 iPod Hi-Fi。如果您使用的是带有光数码音频的电脑，如 Mac Pro 或 MacBook Pro，则可以使用光数码电缆进行连接，以获得质量更佳的声音。

调整声音

要调整音量：

- 按下 iPod Hi-Fi 顶部或附带的遥控器上的调高音量按钮 (+) 或调低音量按钮 (-)。

对于某些较新的 iPod 机型，您也可以使用 iPod 点按式转盘调整音量。

如果将另一个带有音量控制的音频设备（如立体声接收机）连接到音频输入端口，您也可以使用那些其他设备来改变音量。在设备与 iPod Hi-Fi 配合使用时，请反复试验以找到最合适的音量。

要更改均衡器设置：

- 如果您正在使用 iPod 播放音乐，请在 iPod 上更改设置。选取“设置”>“均衡器”，然后选取一种均衡器预定设置。
- 如果您正在使用连接在音频输入端口上的设备播放音乐，请在该设备上更改均衡器设置（如果可能）。请参阅设备附带的文稿。

要增加低音或高音：

使用某些较新的 iPod 机型，您还可以设定 iPod Hi-Fi 以增加低音或高音。如果连接 iPod 时在主菜单中看到“扬声器”项，您可以调整此设置。

- 选取“扬声器”>“音调控制”，然后选取“高音增强”、“正常”或“低音增强”。

使用 Apple Remote 遥控器

您可以使用附带的红外线遥控器来控制回放。确定遥控器和 iPod Hi-Fi 之间没有障碍物。

配合 iPod 使用遥控器

播放连接在 iPod Hi-Fi 上的 iPod 中的音乐时，如果要使用遥控器，请按照以下说明进行操作。

若要	请这样操作
播放或暂停歌曲	按下播放 / 暂停按钮 (▶)。
更改音量	按下调高音量按钮 (+) 或调低音量按钮 (-)。
跳到下一首歌曲	按下下一首 / 快进按钮 (▶▶)。
重新开始播放歌曲或播放上一首歌曲	按下上一首 / 倒回按钮 (◀◀) 一次，以重新开始播放歌曲。按两次该按钮以播放上一首歌曲。
快进或倒回歌曲	按住下一首 / 快进按钮 (▶▶) 或上一首 / 倒回按钮 (◀◀)。
切换到连接在音频输入端口上的设备	按住 Menu (菜单) 按钮 (或取下 iPod)。

【注】 您不能使用遥控器跳到不同的播放列表。您必须使用 iPod 控制钮来选取另一个播放列表。

配合另一个音频设备使用遥控器

播放连接到音频输入端口上的设备中的音乐时，如果要使用遥控器，请按照以下说明进行操作。

若要	请这样操作
更改音量	按下调高音量按钮 (+) 或调低音量按钮 (-)。 (您也可以使用音频设备上的音量控制钮。)
使声音静音或不静音	按下播放 / 暂停按钮 (▶)。
切换到连接在 iPod Hi-Fi 上的 iPod	按住 Menu (菜单) 按钮。

更换电池

遥控器附带有电池。需要时，您可以将它更换为 CR2032 电池。

用一个小的钝物（例如回形针）按下此按钮，
可以部分地推出电池仓。



将 iPod Hi-Fi 与遥控器配对

附带的 Apple Remote 遥控器可与带有内建红外线 (IR) 接收器的其他兼容 Apple 产品配合使用。您可以设定 iPod Hi-Fi 仅与附带的遥控器配合使用，以便其他设备的遥控器不会影响 iPod Hi-Fi。

您可能希望将其他兼容 Apple Remote 遥控器的设备与其他 Apple Remote 遥控器配对使用，以便与 iPod Hi-Fi 配合使用的遥控器不会影响到那些设备。请参阅其他设备附带的文稿以了解相关说明。

要设定 iPod Hi-Fi 仅与附带的遥控器配合使用：

- 1 将 iPod Hi-Fi 的电源线连接到电源插座。
【注】 如果 iPod Hi-Fi 带有电池，就不需要将其电源线连接到电源插座。
- 2 确定与遥控器兼容的其他产品不在遥控器的控制范围内，并且要在 iPod Hi-Fi 附近（大约 3 至 4 英寸远）使用遥控器。
- 3 同时按住遥控器上的 Menu（菜单）和下一首 / 快进按钮 (▶▶) 大约六秒钟。状态指示灯会呈绿色多次闪亮。

iPod Hi-Fi 现在就只能与配对的遥控器配合使用了。

要重置 iPod Hi-Fi 以便其可以与所有 Apple Remote 遥控器配合使用：

- 按照上面的步骤 1 和步骤 2 进行操作。然后，同时按住遥控器上的 Menu（菜单）和上一首 / 倒回按钮 (◀◀) 大约六秒钟。状态指示灯会呈绿色多次闪亮。

iPod Hi-Fi 现在就可以与所有 Apple Remote 遥控器配合使用了。

节省电池寿命

不使用时，iPod Hi-Fi 会进入低功率待机模式以节省电池寿命。但是，如果打算长期使用 iPod Hi-Fi，您可能要取出电池以使电池寿命更长。有关更换电池的信息，请参阅第 36 页。

【注】 如果您使用电池给 iPod Hi-Fi 供电（而不是将其电源线插入电源插座），并且您连接了带有 Dock 接口的 iPod，则 iPod Hi-Fi 中的电池将为 iPod 提供最低的电量。如果您不想 iPod Hi-Fi 中的电池在 iPod 不播放音乐时消耗电量，请将 iPod 从 iPod Hi-Fi 上取下。如果 iPod Hi-Fi 的电源线已插在电源插座上，iPod 电池会自动充电，直到电池充满电。

使用技巧和疑难解答

遵循本章中的建议可以快速解决大多数 iPod Hi-Fi 问题。

如果 iPod Hi-Fi 不播放音乐或没有响应

- 确定音量没有调到最低。如果连接了另一个音频设备，则请确定该设备的音量没有调到最低。
- 拔掉 iPod Hi-Fi 的电源线，等待大约五秒钟，然后再将电源线插入电源插座。确定电源线两端的电源线接头都插入到位。
- 如果正在使用电池，请确定电池已被正确插入。
- 如果连接了 iPod 和另一个音频设备，请确定 iPod Hi-Fi 被设定为从您想要的设备播放（请参阅第 42 页）。
- 可能需要更换电池（请参阅第 36 页）。

如果 iPod 不响应

- 确定 Hold 开关处在关闭位置，而且 iPod 没有暂停播放。
- 重置 iPod。将 iPod 连接到 iPod Hi-Fi，将 Hold 开关拨到 HOLD 位置，然后再将它拨回到关闭位置。然后，按住中间按钮和 Menu（菜单）按钮大约六秒钟，直到 iPod 屏幕上出现 Apple 标志。

【注】如果您使用的是早期带有 Dock 接口的 iPod（显示屏下有四个按钮），请按住播放 / 暂停按钮 (▶||) 和 Menu（菜单）以重置它。

- 如果该方法不起作用，请参阅 iPod 附带的文稿以获得更多信息。

如果遥控器不工作

- 确定将遥控器直接指向 iPod Hi-Fi。
- 确定 iPod Hi-Fi 前面板上的遥控器传感器（请参阅第 34 页）未被遮挡。
- 确定您可以使用 iPod 控制钮通过 iPod Hi-Fi 播放音乐。问题可能与遥控器无关。
- 可能需要更换遥控器电池（请参阅第 45 页）。
- 如果您有多个 Apple Remote 遥控器，并且您已经将 iPod Hi-Fi 与其中一个配对，请确定您使用的是正确的遥控器。有关设定 iPod Hi-Fi 与 Apple Remote 遥控器配合使用的说明，请参阅第 46 页。

如果 iPod Hi-Fi 不能从另一个设备播放音乐

- 确定该设备及 iPod Hi-Fi 上的音量没有被调到最低。
- 如果 iPod 已连接在 iPod Hi-Fi 上，请将其断开，或者按住遥控器上的 Menu（菜单）按钮，直到状态指示灯呈绿色闪亮。
- 确定您使用的是正确的音频电缆（请参阅第 40 页），并且它已牢固地连接在 iPod Hi-Fi 和设备上。
- 确定设备已打开并工作正常。有关更多信息，请参阅设备附带的文稿。

了解服务与支持以及更多信息

您可以在 Web 上找到有关使用 iPod Hi-Fi 的更多信息。

符合安全性和管制规定

有关符合重要的安全性和管制规定的信息，请参阅附带的《iPod Hi-Fi 符合安全性和管制规定信息》手册。

在线资源

有关 iPod Hi-Fi 的最新信息，请访问 www.apple.com.cn/ipodhifi。

有关服务与支持信息，请访问 www.apple.com.cn/support/ipodhifi。

有关在线 iPod 教程、iPod 服务与支持信息以及最新的 Apple 软件下载，请访问 www.apple.com/support/ipod。

要注册 iPod Hi-Fi，请访问 www.apple.com/register。

获得保修服务

如果发现产品似乎已损坏或无法正常使用，请按照本手册、附带的《iPod Hi-Fi 安全性手册》以及在线资源中的建议进行操作。

如果设备仍不能使用，请访问 www.apple.com.cn/support/ipodhifi，以了解有关如何获得保修服务的说明。

查找 iPod Hi-Fi 的序列号

序列号印在 iPod Hi-Fi 的电池仓里面。

iPod Hi-Fi

使用手冊

目錄

- 57 第 1 章：“歡迎使用”
- 58 “iPod Hi-Fi 前視圖”
- 59 “iPod Hi-Fi 後視圖”

- 60 第 2 章：“設定 iPod Hi-Fi”
- 60 “步驟 1：將 iPod Hi-Fi 插上電源或在裡面放入電池”
- 61 “步驟 2：連接 iPod”
- 62 “步驟 3：播放音樂”

- 63 第 3 章：“使用 iPod Hi-Fi”
- 63 “連接 iPod”
- 64 “更改 iPod 的螢幕設定”
- 64 “連接其他音訊設備或未配備 Dock 接頭的 iPod”
- 66 “調整聲音”
- 68 “使用 Apple Remote 遙控器”
- 71 “節省電池的電力”

- 72 第 4 章：“使用訣竅與疑難排解”

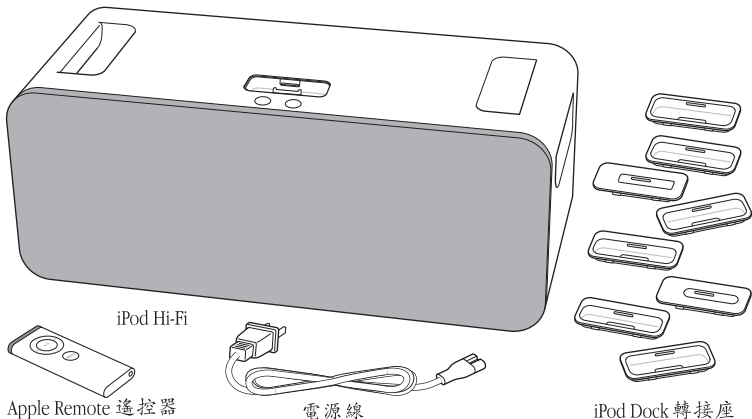
- 74 第 5 章：“其他相關內容、服務和技術支援資訊”

歡迎使用

1

恭喜您購買了 iPod Hi-Fi。

iPod Hi-Fi 是一組高品質的可攜式揚聲器系統，可以用來播放 iPod 的音樂。您也可以用它來播放其他音訊設備的音樂。



iPod Hi-Fi

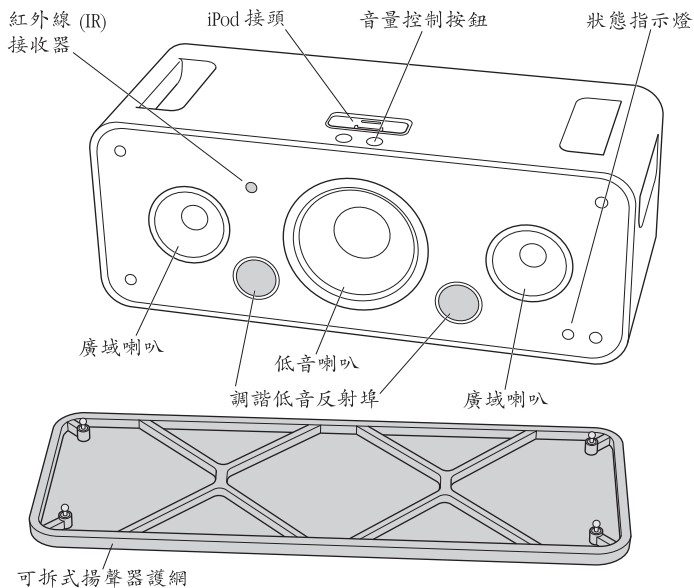
Apple Remote 遙控器

電源線

iPod Dock 轉接座

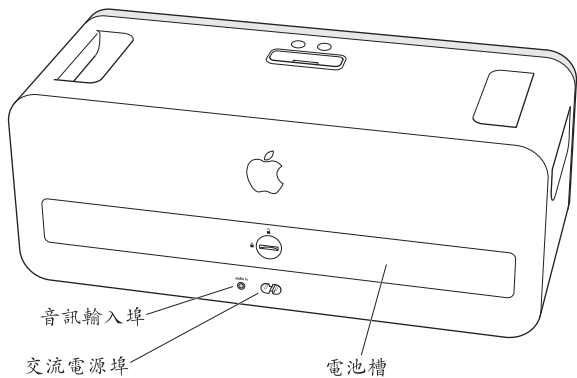
【注意】 您所使用的電源線可能和圖示裡的電源線不太相同。

iPod Hi-Fi 前視圖



【注意】 在使用 iPod Hi-Fi 時，您可裝上或卸下揚聲器的護網。若要妥善的保護揚聲器，請隨時將護網裝上。為了避免損害揚聲器，請勿碰觸揚聲器的喇叭部分。

iPod Hi-Fi 後視圖



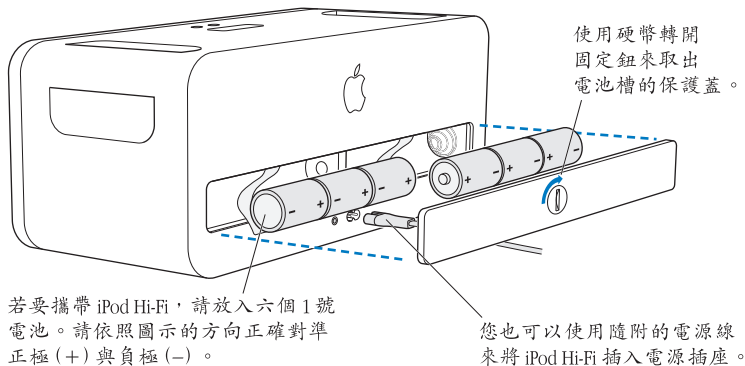
設定 iPod Hi-Fi

2

只要幾個簡單的步驟，您就可以馬上設定好 iPod Hi-Fi，並且使用它來欣賞音樂。

步驟 1：將 iPod Hi-Fi 插上電源或在裡面放入電池

您可以將 iPod Hi-Fi 插上電源，也可以放入六個 1 號電池，方便您攜帶使用。



步驟 2：連接 iPod

選擇您的 iPod 適用的 Dock 轉接座。iPod 能完全套入正確的轉接座。

編號 (4-11) 代表
適用於哪一種 iPod



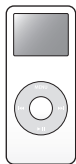
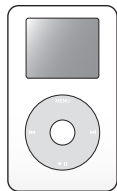
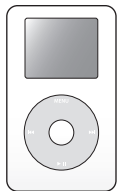
iPod

彩色螢幕 iPod

iPod nano

具備視訊
功能的 iPod

iPod nano
(第二代)



4



6



8



9



11

20GB 和
U2 Special Edition

20GB、30GB 和
U2 Special Edition

1GB、2GB 和
4GB

30GB

2GB、4GB 和
8GB



5



7



10

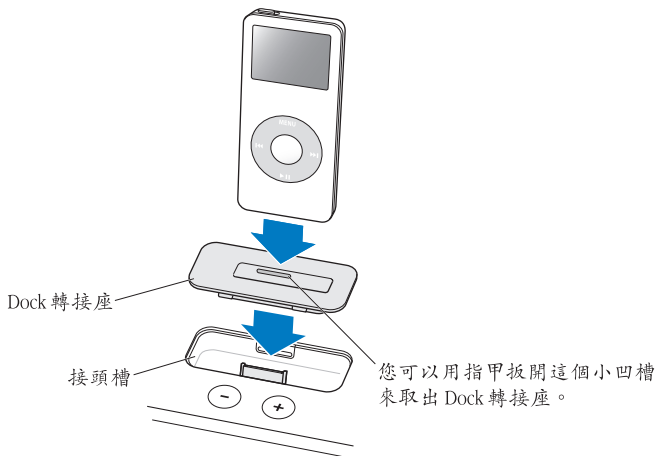
40GB

40GB 和 60GB

60GB 和 80GB

【注意】 如果 iPod Hi-Fi 沒有隨附適用您機型的 Dock 轉接座，您可以前往 www.apple.com.tw/store/ 網站購買。如果您的 iPod 是底部沒有 Dock 接頭的較早期機型，您也可以使用音訊接線來將 iPod 連接到音訊輸入埠（請參閱第 64 頁）。

將 Dock 轉接座插入 iPod Hi-Fi，然後連接 iPod。iPod Hi-Fi 的狀態指示燈會閃爍綠色。



步驟 3：播放音樂

在 iPod 上瀏覽歌曲，然後按一下“播放” (▶) 按鈕來欣賞音樂！使用 iPod Hi-Fi 或隨附之 Apple Remote 遙控器上的按鈕來調高或降低音量。

請繼續閱讀以下的內容來學習如何將 iPod 連接到 iPod Hi-Fi 上、連接其他音訊設備、調整音量、使用 Apple Remote 遙控器，以及其他相關功能。

連接 iPod

您可以將任何機型的 iPod 連接到 iPod Hi-Fi 上。如果您的 iPod 配有 Dock 轉接座，您可以將它插入 iPod Hi-Fi。如果您的 iPod 沒有適用的 Dock 轉接座，您也可以使用音訊接線來將 iPod 連接到音訊輸入埠（請參閱第 64 頁）。

若要將 iPod 連接到 Dock 轉接座上：

- 插入您 iPod 所適用的 Dock 轉接座，然後連接 iPod（如第 62 頁的附圖）。狀態指示燈會閃爍綠色。

您的 iPod Hi-Fi 隨附了 Dock 轉接座，大多數配有 Dock 接頭的 iPod 機型皆可使用。如果您要連接其他的 iPod，您可以用指甲輕易地將 Dock 轉接座從 iPod Hi-Fi 上取下，再插入其他 iPod 適用的 Dock 轉接座，然後放入其他機型的 iPod。

如果 iPod Hi-Fi 沒有隨附適用您機型的 Dock 轉接座，您可以前往 www.apple.com.tw/store/ 網站購買。

更改 iPod 的螢幕設定

對於某些較新的 iPod 機型，您可以設定 iPod 在連接了 iPod Hi-Fi 之後的螢幕背光燈選項。您也可以設定要在 iPod 上顯示“播放中的歌曲”螢幕或專輯的插圖。如果當您連接 iPod 時，在主選單裡看到“揚聲器”的選項，您就可以更改這些設定。

若要設定背光燈的選項，請選擇“揚聲器”，然後依照以下的指示操作：

- 若要設定在播放音樂時開啟背光燈，請將“背光燈”設定為“播放時”。

【注意】 這是系統預設的設定。

- 若要設定當您在使用遙控器或 iPod 上的控制項目時開啟背光燈，請將“背光燈”設定為“當按下按鍵時”。
- 若要設定背光燈隨時保持開啟的狀態，請將“背光燈”設定為“保持開啟”。
- 若要設定背光燈隨時保持關閉的狀態，請將“背光燈”設定為“總是關閉”。

若要設定 iPod 顯示全螢幕的專輯插圖（歌曲裡必須包含插圖）：

- 選擇“揚聲器”，然後將“大型專輯插圖”設定為“開啟”。

連接其他音訊設備或未配備 Dock 接頭的 iPod

您的 iPod Hi-Fi 配備了數位 / 類比音訊輸入埠。如果您的 iPod 沒有 Dock 接頭，您可以用此輸入埠來播放 iPod 的音樂，也可以播放其他音訊設備（例如光碟播放器、立體聲接收器或電腦）的音樂。如果您有 AirPort Express 基地台，您也可以將它連接到 iPod Hi-Fi 上來播放其他房間電腦上的音樂。

您可以使用配備標準 3.5 公釐迷你音響插頭的音源線來連接音訊設備或較舊機型的 iPod。若要得到更好的音質，您可以使用配備 Mini-Toslink 接頭的光纖數位音訊接線來連接光纖數位音訊設備。



3.5 公釐立體聲迷你插頭
(需另外購買)



含 Mini-Toslink 接頭的光纖數位接線
(需另外購買)

若要透過 iPod Hi-Fi 來播放其他音訊設備的音樂：

- 1 將音訊接線連接到 iPod Hi-Fi 上的音訊輸入埠，然後再將接線的另一端連接到設備上的音訊輸出埠或耳機埠。

警告 如果您將 iPod Hi-Fi 連接到輸出功率大於 2V（伏特）RMS 的設備時，可能會產生音質失真的現象。請勿將 iPod Hi-Fi 連接到由其他設備輸出音源的揚聲器上。這樣可能會造成 iPod Hi-Fi 的毀損。

- 2 打開設備並且開始播放音樂。
如需更多資訊，請參閱設備隨附的說明文件。

若要將音樂的播放從 iPod 切換到連接音訊輸入埠的音訊設備。

如果您的 iPod Hi-Fi 同時連接了配有 Dock 接頭的 iPod 和音訊設備，iPod Hi-Fi 是預設為優先播放 iPod 的音樂。

- 按住遙控器上的 Menu（選單）按鈕。狀態指示燈會閃爍綠色，iPod 會暫停動作。若要切換回 iPod，請再一次按住 Menu（選單）按鈕。

您也可以取下 iPod 來切換到連接音訊輸入埠的音訊設備。

若要使用 iPod Hi-Fi 來播放電腦裡的音樂：

- 您可以將 AirPort Express 基地台連接到 iPod Hi-Fi 上，然後以無線的方式連續播放其他房間電腦裡的音訊。
如需更多資訊，請前往 www.apple.com/airportexpress 網站。
- 在大多數的情況下，您也可以使用音訊接線直接將電腦連接到 iPod Hi-Fi 上。如果您有配備光纖數位音訊的電腦（例如 Mac Pro 或 MacBook Pro），您也可以使用音訊接線來連接電腦，以獲得更好的音質。

調整聲音

若要調整音量：

- 請按 iPod Hi-Fi 上方或隨附之遙控器上的“調高音量”（+）或“降低音量”（-）按鈕。

對於某些較新的 iPod 機型，您也可以使用 iPod Click Wheel（點按式選盤）來調整音量。

如果您在音訊輸入埠上連接了其他附有控制項目的音訊設備（例如立體聲接收器），您也可以直接使用這些音訊設備來調整音量。當您在 iPod Hi-Fi 上使用這些設備時，請嘗試調整音量，以獲得最佳的聲音效果。

若要更改等化器的設定：

- 如果您是透過 iPod 來播放音樂，請直接在 iPod 上更改設定。選擇“設定”>EQ，並選擇一種等化器預設組。
- 如果您是透過連接到音訊輸入埠上的設備來播放音樂，請在設備上更改等化器的設定（如果設備上附有等化器的選項）。請參閱設備隨附的說明文件。

若要增加低音或高音的部分：

對於某些較新的 iPod 機型，您也可以設定 iPod Hi-Fi 來增加低音或高音的部分。當您連接 iPod 時，如果您能夠在主選單裡看到“揚聲器”的選項，您就可以調整音場設定。

- 請選擇“揚聲器”>“音調控制”，然後再選擇“增加高音”、“正常”或“增加低音”。

使用 Apple Remote 遙控器

您可以使用隨附的紅外線遙控器來控制播放的選項。請確定遙控器和 iPod Hi-Fi 之間沒有任何阻隔的物品。

與 iPod 一起使用遙控器

當 iPod Hi-Fi 連接 iPod 來播放音樂時，若要使用遙控器，請依照以下的指示進行：

若要	執行方式
播放或暫停歌曲	按“播放 / 暫停” (▶) 按鈕。
調整音量	按“調高音量” (+) 或“降低音量” (-) 按鈕。
跳到下一首歌曲	按“下一首 / 快轉” (▶▶) 按鈕。
重新播放歌曲或播放上一首歌曲	按一下“上一首 / 倒轉” (◀◀) 按鈕來重新播放歌曲。按兩下來播放上一首歌曲。
快轉或倒轉歌曲	按住“下一首 / 快轉” (▶▶) 或“上一首 / 倒轉” (◀◀) 按鈕。
切換至其他連接到音訊輸入埠上的設備	按住 Menu (選單) 按鈕 (或移除 iPod)。

【注意】 您無法使用遙控器來跳到不同的播放列表。您必須使用 iPod 的控制項目來選擇其他的播放列表。

在其他的音訊設備上使用遙控器

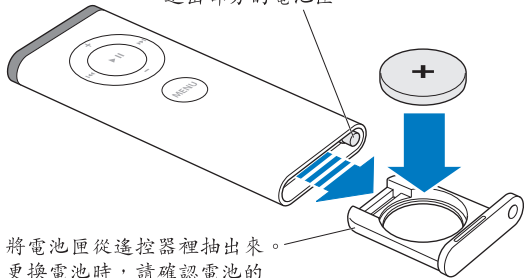
當您在播放連接音訊輸入埠之設備上的音樂時，若要使用遙控器，請依照以下的指示進行。

若要	執行方式
調整音量	按“調高音量”(+)或“降低音量”(-)按鈕。(您也可以使用音訊設備上的音量控制項目。)
讓聲音靜音或恢復發聲	按“播放/暫停”(▶)按鈕。
切換至已經連接到 iPod Hi-Fi 上的 iPod	按住 Menu (選單) 按鈕。

更換電池

遙控器內含電池。有需要時，您可以更換其內的 CR2032 電池。

用前端較鈍的物品 (如迴紋針) 壓下此按鈕，退出部分的電池匣。



將電池匣從遙控器裡抽出來。
更換電池時，請確認電池的正極 (+) 朝上。

讓 iPod Hi-Fi 與遙控器配對

隨附的 Apple Remote 遙控器可以和其他配備內建紅外線（IR）接收器的相容 Apple 產品一起使用。您可以設定讓 iPod Hi-Fi 只能使用隨附的遙控器，這樣其他設備的遙控器就不會影響到您的 iPod Hi-Fi。

您也可以讓其他與 Apple Remote 遙控器相容的設備來和其他的 Apple Remote 遙控器配對，這樣您在 iPod Hi-Fi 上所使用的遙控器就不會影響到其他的設備。如需相關指示，請參閱設備隨附的說明文件。

若要設定 iPod Hi-Fi 只能使用隨附的遙控器：

- 1 將 iPod Hi-Fi 插入電源插座。

【注意】 如果 iPod Hi-Fi 裡面已經裝入電池，您就不用將它連接到電源插座上。

- 2 請確定其他與遙控器相容的設備並不在遙控的範圍之內，並將遙控器靠近 iPod Hi-Fi（距離約 3 到 4 英吋）。
- 3 同時按住遙控器上的 Menu（選單）和“下一首 / 快轉”（▶）按鈕約六秒鐘。狀態指示燈會閃爍綠色數次。

這樣您的 iPod Hi-Fi 就只能使用所配對的遙控器了。

若要重置 iPod Hi-Fi 來使用所有的 Apple Remotes 遙控器：

- 依照上述的步驟 1 和 2 來操作。然後同時按住遙控器上的 Menu（選單）和“上一首 / 倒轉”（◀）按鈕約六秒鐘。狀態指示燈會閃爍綠色數次。

這樣您的 iPod Hi-Fi 就能使用所有的 Apple Remote 遙控器了。

節省電池的電力

在未使用時，iPod Hi-Fi 會進入低耗電待機模式，以節省電池的電力。然而，如果您不是要延長 iPod Hi-Fi 的使用時間，您也可以取下電池，進一步地延長電池的使用壽命。如需更換電池的相關資訊，請參閱第 60 頁。

【注意】 如果您是在 iPod Hi-Fi 上使用電池的電力（並未插入電源插座），而且您也使用了 Dock 轉接座來連接 iPod，則 iPod Hi-Fi 裡的電池會提供極低的電量來替 iPod 充電。如果您不希望 iPod Hi-Fi 裡的電池在 iPod 沒有播放歌曲時耗費電力，請將 iPod 從 iPod Hi-Fi 上取下。如果 iPod Hi-Fi 已經插上電源插座，則 iPod 的電池會持續進行充電，直到充滿電力為止。

使用訣竅與疑難排解

iPod Hi-Fi 的大部份問題都可以依照本章內容的指示來快速地解決。

如果您的 iPod Hi-Fi 無法播放音樂或沒有回應

- 確定音量不是調到最低。如果連接了其他的音訊設備，請確定設備上的音量不是調到最低。
- 拔掉 iPod Hi-Fi 的電源線，等候五秒鐘，然後再重新插上。確定電源線兩端的接頭都已經連接牢固。
- 如果您是使用電池，請確定電池安裝正確。
- 如果已經連接了 iPod 和其他的音訊設備，請確定 iPod Hi-Fi 已經正確設定了您要播放的設備（請參閱第 66 頁）。
- 可能需要更換電池（請參閱第 60 頁）。

如果您的 iPod 沒有回應

- 請確定遙控器上的 Hold（鎖定）開關為停用狀態，而且 iPod 不是暫停的狀態。
- 重置 iPod。將 iPod 連接到 iPod Hi-Fi，切換 Hold（鎖定）開關（先切為 HOLD 狀態，然後再將其切回）。然後同時按住 Center（中央）和 Menu（選單）按鈕約六秒鐘直到 Apple 標誌出現為止。

【注意】 如果您是使用早期附有 Dock 接頭的 iPod（螢幕下方有四個按鈕），請按住“播放/暫停”（▶||）和 Menu（選單）按鈕來進行重置。

- 如果此方法無效，請參閱 iPod 隨附的說明文件以獲得更多相關資訊。

如果遙控器無法使用

- 請確定將遙控器正對準 iPod Hi-Fi 來使用。
- 請確定 iPod Hi-Fi 前面板上的遙控感應器（請參閱第 58 頁）沒有被阻擋住。
- 請確定您可以使用 iPod 的控制項目來透過 iPod Hi-Fi 播放音樂。問題可能不是遙控器所造成的。
- 遙控器的電池可能需要更換（請參閱第 69 頁）。
- 如果您有一個以上的 Apple Remote 遙控器，並且您已經讓 iPod Hi-Fi 與其中一個遙控器配對，請確認您是使用正確的遙控器。關於設定 iPod Hi-Fi 與 Apple Remote 遙控器一起使用的相關指示，請參閱第 70 頁。

如果 iPod Hi-Fi 無法播放其他設備的音樂

- 請確定設備和 iPod Hi-Fi 上的音量不是調到最低。
- 如果 iPod 已經連接上 iPod Hi-Fi，請中斷 iPod，或按住遙控器上的 Menu（選單）按鈕，直到狀態指示燈變成綠色為止。
- 請確定您是使用正確的音訊接線（請參閱第 64 頁），而且接線已經牢固地連接到 iPod Hi-Fi 和設備上。
- 請確定設備的電源已經開啟並且運作正常。如需更多資訊，請參閱設備隨附的說明文件。

其他相關內容、服務和技術 支援資訊

您可以在網站上取得許多使用 iPod Hi-Fi 的相關資訊。

安全性與通訊規定

關於重要的安全性與通訊規定相關資訊，請參閱隨附的「iPod Hi-Fi 安全性與通訊規定的相關資訊」手冊。

線上資源

如需最新的 iPod Hi-Fi 相關資訊，請前往 www.apple.com.tw/ipodhifi 網站。

如需服務和支援的相關資訊，請前往 www.apple.com.tw/support/ipodhifi 網站。

如需線上 iPod 教學指南、iPod 服務與支援資訊，以及最新的 Apple 軟體下載，請前往 www.apple.com/support/ipod 網站。

若要註冊您的 iPod Hi-Fi，請前往 www.apple.com/register 網站。

取得保固服務

若產品出現損壞或功能不正常的情況，請依照本手冊、隨附的 iPod Hi-Fi 安全性手冊和線上資源的建議來操作。

如果還是無法正常操作，請前往 www.apple.com.tw/support/ipodhifi 網站查詢如何取得保固服務的相關資訊。

取得 iPod Hi-Fi 的序號

iPod Hi-Fi 的序號標示在產品電池槽的內部。

iPod Hi-Fi

사용 설명서

차례

81 제 1 장: “시작하기”

82 “iPod Hi-Fi 앞면”

83 “iPod Hi-Fi 뒷면”

84 제 2 장: “iPod Hi-Fi 설정하기”

84 “1단계: iPod Hi-Fi의 연결 또는 배터리 삽입하기”

85 “2단계: iPod 연결하기”

86 “3단계: 음악 재생하기”

87 제 3 장: “iPod Hi-Fi 사용하기”

87 “iPod 연결하기”

88 “iPod 화면 설정 변경하기”

88 “기타 오디오 장비 또는 Dock 커넥터가 없는 iPod 연결하기”

90 “사운드 조절하기”

92 “Apple Remote 사용하기”

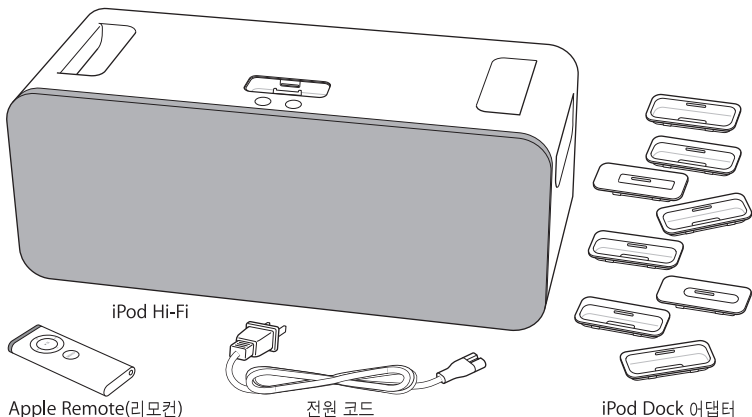
95 “배터리 수명 절약하기”

96 제 4 장: “비결 및 문제 해결”

98 제 5 장: “더 자세한 정보, 서비스 및 지원”

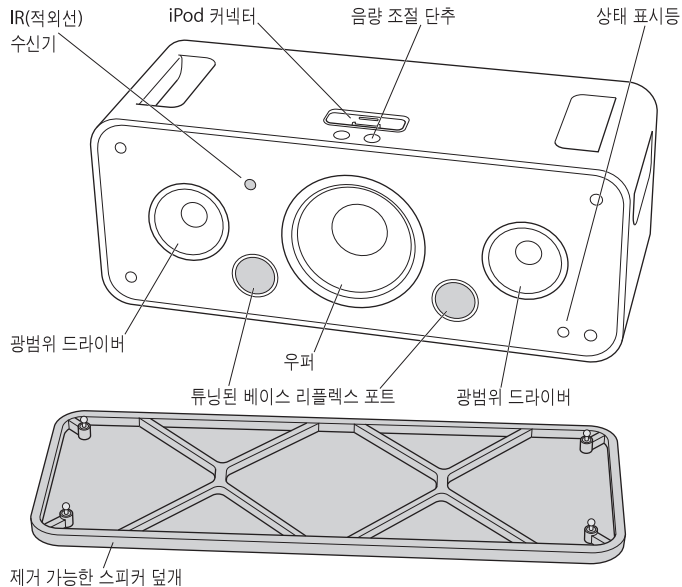
새로운 iPod Hi-Fi의 구입을 환영합니다.

iPod Hi-Fi는 iPod의 음악을 재생해주는 고음질의 휴대용 스피커 시스템입니다. 또한, 이 제품을 사용하여 다른 오디오 장비에 있는 음악을 재생할 수도 있습니다.



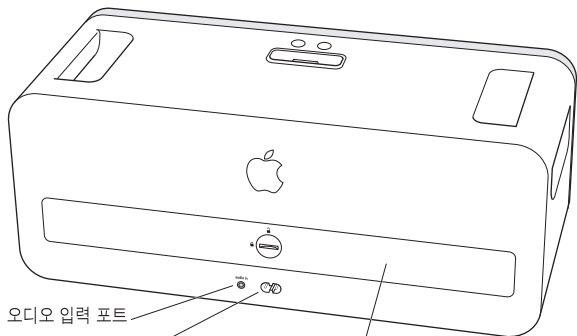
참고: 여러분의 전원 코드는 위의 그림과는 약간 다를 수도 있습니다.

iPod Hi-Fi 앞면



참고: iPod Hi-Fi를 스피커 덮개를 덮거나 제거한 상태로 사용할 수도 있습니다. 스피커를 보호하려면, 이 덮개를 제거하지 않는 것이 좋습니다. 스피커의 손상을 피하려면, 스피커 진동판을 건드리지 마십시오.

iPod Hi-Fi 뒷면



오디오 입력 포트

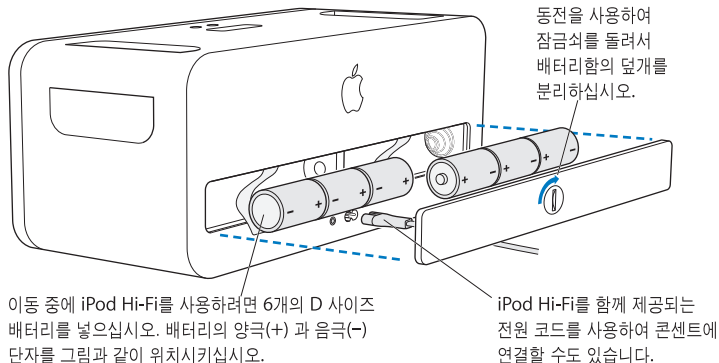
AC 전원 포트

배터리함

몇가지 간단한 단계로 iPod Hi-Fi를 설정하여 음악을 들을 수 있습니다.

1단계: iPod Hi-Fi의 연결 또는 배터리 삽입하기

iPod Hi-Fi를 전원 콘센트에 연결하거나 6개의 D 사이즈 배터리를 삽입하여 이동 중에 사용할 수도 있습니다.

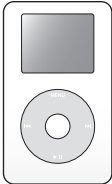
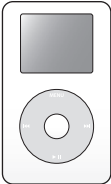
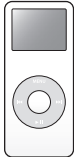












2단계: iPod 연결하기

자신의 iPod에 맞는 Dock 어댑터를 선택하십시오. iPod은 올바른 어댑터에 딱 맞게 들어갑니다.

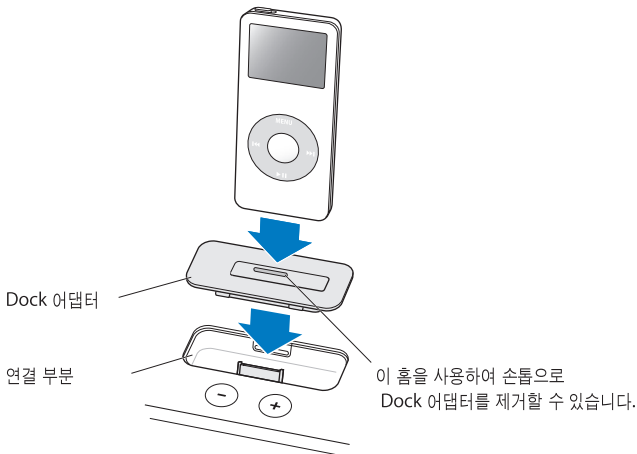
이 숫자(4~11)는 어떤 iPod과 맞는지 나타냄



iPod	컬러 화면의 iPod	iPod nano	비디오가 지원되는 iPod	iPod nano (2세대)
				
 4	 6	 8	 9	 11
20GB 및 U2 Special Edition	20GB, 30GB 및 U2 Special Edition	1GB, 2GB 및 4GB	30GB	2GB, 4GB 및 8GB
 5	 7		 10	
40GB	40GB 및 60GB		60GB 및 80GB	

참고: iPod Hi-Fi에 여러분의 iPod 모델용 Dock 어댑터가 포함되지 않았다면, www.applestore.co.kr/ipodstore에서 구입할 수 있습니다. 밑면에 Dock 커넥터가 없는 이전 모델의 iPod을 사용한다면 오디오 케이블을 사용하여 iPod을 오디오 입력 포트에 연결할 수 있습니다(88페이지 참조).

Dock 어댑터를 iPod Hi-Fi에 넣은 다음, iPod을 연결하십시오. iPod Hi-Fi의 상태 표시등이 녹색으로 깜박입니다.



3단계: 음악 재생하기

iPod에서 노래를 검색한 다음, 재생(▶)을 누르고 음악을 즐기십시오! iPod Hi-Fi 또는 함께 제공된 Apple Remote 상의 단추들을 사용하여 음량을 높이거나 낮출 수 있습니다.

iPod을 iPod Hi-Fi에 연결하기, 다른 오디오 장비에 연결하기, 사운드 조절하기 및 Apple Remote를 사용하는 방법 등에 관하여 배우려면 다음을 읽으십시오.

iPod 연결하기

모든 iPod 모델을 iPod Hi-Fi에 연결할 수 있습니다. 자신의 iPod에 Dock 커넥터가 있다면, iPod Hi-Fi에 넣을 수 있습니다. 자신의 iPod에 Dock 커넥터가 없다면, 오디오 케이블을 사용하여 오디오 입력 포트에 연결할 수 있습니다(88페이지 참조)

Dock 커넥터가 있는 iPod을 연결하려면,

- 자신의 iPod에 맞는 Dock 어댑터를 넣은 다음, 86페이지와 같이 iPod을 연결하십시오. 상태 표시 등이 녹색으로 깜박입니다.

여러분의 iPod Hi-Fi에는 Dock 커넥터가 있는 대부분의 iPod 모델과 호환되는 Dock 어댑터가 포함되어 있습니다. 다른 iPod을 연결하려면, 손톱을 사용하여 쉽게 iPod Hi-Fi에서 Dock 어댑터를 분리할 수 있으며, 다른 iPod에 맞는 어댑터를 넣은 다음, 다른 iPod을 꽂으십시오.

iPod Hi-Fi에 자신의 iPod 모델에 맞는 Dock 어댑터가 포함되어 있지 않다면, www.applestore.co.kr/ipodstore에서 구입할 수 있습니다.

iPod 화면 설정 변경하기

일부 최신 iPod 모델에서는, iPod이 iPod Hi-Fi에 연결되어 있을 때 배경조명이 동작하도록 설정할 수 있습니다. 또한, iPod에서 지금 재생 중 화면을 볼 것인지 또는 앨범 사진을 볼 것인지를 설정할 수 있습니다. iPod을 연결했을 때 주 메뉴에서 스피커 항목이 보인다면, 이들 설정을 변경할 수 있습니다.

배경조명의 동작 방법을 설정하려면, 스피커를 선택하고 다음 지침을 따르십시오.

- 음악이 재생될 때 배경조명이 켜지도록 설정하려면, 배경조명을 재생 중으로 설정하십시오.

참고: 이것은 기본 설정입니다.

- 리모컨을 사용하거나 iPod 조절 단추를 사용할 때 배경조명이 켜지도록 iPod을 설정하려면, 배경조명을 키 누를 때로 설정하십시오.
- 항상 배경조명이 켜져있도록 설정하려면, 배경조명을 항상 켜로 설정하십시오.
- 항상 배경조명이 꺼져있도록 설정하려면, 배경조명을 항상 꺼로 설정하십시오.

전체 화면으로 앨범 사진을 표시하도록 iPod을 설정하려면(해당 노래에 대한 앨범 사진이 있는 경우),

- 스피커를 선택하고 큰 앨범 사진을 켜로 설정하십시오.

기타 오디오 장비 또는 Dock 커넥터가 없는 iPod 연결하기

iPod Hi-Fi에는 디지털/아날로그 오디오 입력 포트가 있습니다. 이 포트를 사용하여 Dock 커넥터가 없는 iPod이나 CD 플레이어, 스테레오 수신기 또는 컴퓨터와 같은 오디오 장비의 음악을 재생할 수 있습니다. AirPort Express 베이스 스테이션이 있다면, 베이스 스테이션을 자신의 iPod Hi-Fi에 연결하여 다른 방에 있는 컴퓨터로부터 음악을 재생할 수도 있습니다.

표준 3.5mm 스테레오 미니플러그가 있는 오디오 케이블을 사용하여 오디오 장비 또는 기존 모델의 iPod을 연결할 수 있습니다. 고음질의 사운드를 위해, Mini-Toslink 커넥터가 있는 광학 디지털 오디오 케이블을 사용하여 광학 디지털 오디오 장비를 연결할 수 있습니다.



3.5mm 스테레오 미니플러그
(별도 판매)



Mini-Toslink 커넥터가 있는 광학 디지털 케이블
(별도 판매)

iPod Hi-Fi를 통해 다른 오디오 장비에 있는 음악을 재생하려면,

- 1 오디오 케이블을 자신의 iPod Hi-Fi의 오디오 입력 포트 및 해당 장비의 라인 레벨 포트 또는 헤드폰 포트에 연결하십시오

경고: iPod Hi-Fi를 2V(볼트) RMS보다 높은 출력을 가진 장비에 연결하면 음질이 왜곡될 수도 있습니다. iPod Hi-Fi를 다른 장비로부터의 스피커 출력에 연결하지 마십시오. iPod Hi-Fi가 손상될 수 있습니다.

- 2 장비를 켜고 해당 장비의 음악을 재생하십시오.
추가 정보는 해당 장비와 함께 제공되는 설명서를 참조하십시오.

재생을 iPod으로부터 오디오 입력 포트에 연결되어 있는 장비로 전환하려면, Dock 커넥터가 있는 iPod 및 오디오 장비가 동시에 iPod Hi-Fi에 연결되어 있다면 iPod Hi-Fi는 기본적으로 iPod의 음악을 재생합니다.

- 리모컨에 있는 Menu(메뉴) 단추를 누르고 계십시오. 그러면 상태 표시등이 녹색으로 깜박이며, iPod이 일시 정지됩니다. iPod으로 다시 전환하려면, Menu 단추를 다시 누르고 계십시오. 또한, iPod을 제거하여 오디오 입력 포트에 연결되어 있는 장비로 전환할 수도 있습니다.

iPod Hi-Fi를 사용하여 컴퓨터로부터 오디오를 재생하려면,

- AirPort Express 베이스 스테이션을 iPod Hi-Fi에 연결하여 다른 방에 있는 컴퓨터로부터 음악을 무선으로 스트리밍할 수 있습니다. 추가 정보를 보려면, www.apple.com/airportexpress를 방문하십시오.
- 대부분의 경우, 오디오 케이블을 사용하여 컴퓨터를 iPod Hi-Fi에 직접 연결할 수 있습니다. Mac Pro 또는 MacBook Pro와 같이 광학 디지털 오디오가 있는 컴퓨터를 사용한다면, 보다 나은 음질을 위해 광학 디지털 케이블을 사용하여 연결할 수도 있습니다.

사운드 조절하기

음량을 조절하려면,

- iPod Hi-Fi 또는 함께 제공된 리모컨에 있는 음량 높이기(+) 또는 음량 낮추기(-) 단추를 누르십시오.

일부 최신 모델의 iPod에서는, iPod 클릭 휠로 음량을 조절할 수도 있습니다.

스테레오 수신기와 같이 음량 조절기가 있는 다른 오디오 장비를 오디오 입력 포트에 연결하면, 해당 장비를 사용하여 음량을 조절할 수도 있습니다. iPod Hi-Fi와 함께 장비를 사용할 때 어느 정도 수준의 음량이 최적의 소리를 내는지 시험해 보십시오.

이퀄라이저 설정을 변경하려면,

- iPod으로 음악을 재생하고 있다면, iPod의 설정을 변경하십시오. 설정 > EQ를 선택하고 이퀄라이저 미리 설정을 선택하십시오.
- 오디오 입력 포트에 연결되어 있는 장비를 통해 음악을 재생한다면, 가능하다면 해당 장비의 이퀄라이저 설정을 변경하십시오. 해당 장비와 함께 제공된 설명서를 참조하십시오.

고음이나 저음을 높이려면,

일부 최신 iPod 모델에서는, iPod Hi-Fi를 고음이나 저음을 높이도록 설정할 수도 있습니다. iPod을 연결했을 때 주 메뉴에서 스피커 항목이 보인다면 이들 설정을 변경할 수 있는 것입니다.

- 스피커 > 톤 조절을 선택한 다음, 고음 높이기, 보통 또는 저음 높기기를 선택하십시오.

Apple Remote 사용하기

함께 제공되는 적외선 리모컨을 사용하여 재생을 조절할 수 있습니다. 리모컨과 iPod Hi-Fi 사이에 장애물이 없는지 확인하십시오.

iPod과 리모컨 사용하기

iPod Hi-Fi에 연결되어 있는 iPod의 음악을 재생할 때 리모컨을 사용하려면, 다음 지침을 따르십시오.

동작	실행 방법
노래 재생 또는 일시 중지	재생/일시 중지(▶) 단추를 누르십시오.
음량 조절	음량 높이기(+) 또는 음량 낮추기(-) 단추를 누르십시오.
다음 곡으로 건너뛰기	다음 항목/앞으로 가기(▶) 단추를 누르십시오.
노래 다시 시작 또는 이전 곡 재생	이전 항목/뒤로 가기(◀) 단추를 한 번만 눌러 노래를 다시 시작하십시오. 이 단추를 두 번 누르면 이전 곡이 재생됩니다.
노래의 앞으로 가기 또는 뒤로 가기	다음 항목/앞으로 가기(▶) 또는 이전 항목/뒤로 가기(◀) 단추를 누르고 계십시오.
오디오 입력 포트에 연결된 장비로 전환	Menu(메뉴) 단추를 누르고 계십시오.(또는 iPod을 분리 하십시오.)

참고: 리모컨을 사용하여 다른 재생목록으로 건너뛸 수는 없습니다. 다른 재생목록을 선택하려면, iPod 조절 단추를 사용해야 합니다.

다른 오디오 장비에 리모컨 사용하기

오디오 입력 포트에 연결된 장비에 있는 음악을 재생할 때 리모컨을 사용하려면, 다음 지침을 따르십시오.

동작	실행 방법
음량 변경	음량 높이기(+) 또는 음량 낮추기(-) 단추를 누르십시오. (오디오 장비에 있는 음량 조절 단추를 사용할 수도 있습니다.)
사운드 끄기 또는 켜기	재생/일시 정지(▶) 단추를 누르십시오.
iPod Hi-Fi에 연결되어 있는 iPod으로 전환	Menu(메뉴) 단추를 누르고 계십시오.

배터리 교체하기

리모컨에는 배터리가 포함되어 있습니다. 필요한 경우, CR2032 배터리로 교체할 수 있습니다.

종이 클립과 같이 끝부분이 뾰족한 도구로
이 단추를 누르면 배터리함이 부분적으로 추출됩니다.



리모컨에서 배터리를 당겨 빼내십시오.
양극(+)이 위쪽을 향하게 하여 배터리를
교체하십시오.

리모컨과 iPod Hi-Fi 연결하기

함께 제공된 Apple Remote는 IR(적외선) 수신기가 내장되어 있는 호환되는 다른 Apple 제품과 동작합니다. iPod Hi-Fi를 포함되어 있는 리모컨으로만 동작하도록 설정하여 다른 장비의 리모컨이 iPod Hi-Fi에 영향을 주지 않도록 할 수 있습니다.

Apple Remote와 호환되는 다른 장비들을 다른 Apple Remote들에 연결하여, iPod Hi-Fi에 사용하는 리모컨이 이들 장비에 영향을 주지 않도록 하는 것이 좋습니다. 추가 정보는 해당 장비와 함께 제공되는 설명서를 참조하십시오.

iPod Hi-Fi를 함께 제공되는 리모컨으로만 동작하도록 설정하려면,

- 1 iPod Hi-Fi를 전원 콘센트에 연결하십시오.

참고: iPod Hi-Fi에 배터리가 있다면 콘센트에 연결하지 않아도 됩니다.

- 2 해당 리모컨과 호환되는 기타 제품들이 범위 내에 없는지 확인하고 리모컨을 iPod Hi-Fi에 가까이 가져 가십시오(8~10cm 거리).
- 3 리모컨에 있는 Menu와 다음 항목/앞으로 가기(▶▶) 단추를 동시에 6초 동안 누르고 계십시오. 상태 표시등이 녹색으로 몇 번 깜박입니다.

이제 여러분의 iPod Hi-Fi는 연결된 리모컨으로만 작동합니다.

모든 Apple Remote와 동작하도록 iPod Hi-Fi를 재설정하려면,

- 위의 1, 2 단계를 따르십시오. 그런 다음, 리모컨에 있는 Menu(메뉴)와 이전 /뒤로 가기(◀◀) 단추를 동시에 6초 동안 누르고 있으십시오. 상태 표시등이 녹색으로 몇 번 깜박입니다.

이제 iPod Hi-Fi가 모든 Apple Remote와 동작합니다.

배터리 수명 절약하기

iPod Hi-Fi가 사용 중이 아닐 때는 배터리를 절약하기 위해 저전력 대기 모드로 전환됩니다. 그러나, iPod Hi-Fi를 오랫동안 사용하지 않을 계획이라면 배터리를 제거해두는 것이 배터리 수명을 더 절약할 수 있습니다. 배터리 교체에 관한 추가 정보를 보려면 84페이지를 참조하십시오.

참고: iPod Hi-Fi를 배터리를 통해 사용하며(전원 콘센트에 연결되어 있지 않고) Dock 커넥터가 있는 iPod이 연결되어 있다면, iPod Hi-Fi에 있는 배터리가 iPod에 최소의 전력을 제공하게 됩니다. iPod이 재생 중이 아닐 때 iPod Hi-Fi에 있는 배터리가 전력을 소모하지 않게 하려면, iPod Hi-Fi에서 iPod을 제거하십시오. iPod Hi-Fi가 전원 콘센트에 연결되어 있다면, iPod 배터리는 완충될 때까지 충전됩니다.

비결 및 문제 해결

iPod Hi-Fi에서 발생하는 대부분의 문제는 이 장의 지침을 따르면 신속히 해결할 수 있습니다.

iPod Hi-Fi에서 음악이 재생되지 않거나 응답하지 않는 경우

- 음량이 완전히 낮춰져 있지 않은지 확인하십시오. 만약 다른 오디오 장비가 연결되어 있다면, 해당 장비의 음량이 완전히 낮춰져 있지 않은지 확인하십시오.
- iPod Hi-Fi를 연결 해제하고 5초 정도 후에 다시 연결해보십시오. 전원 코드의 양쪽 끝에 있는 전원 코드 커넥터가 완전히 연결되어 있는지 확인하십시오.
- 배터리를 사용한다면 배터리가 올바르게 삽입되어 있는지 확인하십시오.
- iPod 및 기타 오디오 장비가 연결되어 있다면, iPod Hi-Fi가 원하는 장비로부터 재생되도록 설정되어 있는지 확인하십시오(90페이지 참조).
- 배터리를 교체해야 할 수도 있습니다(84페이지 참조).

iPod이 응답하지 않는 경우

- Hold(잠금) 스위치가 꺼져 있고 iPod이 일시 정지되어 있지 않은지 확인하십시오.
- iPod을 재설정하십시오. iPod을 iPod Hi-Fi에 연결하고 HOLD 스위치를 잠금 상태에 둔 다음, 다시 끄십시오. 그런 다음, 중앙 단추와 Menu 단추를 약 6초 동안 누르고 Apple 로고가 나타날 때까지 기다리십시오.

참고: Dock 커넥터가 있는 오리지널 iPod(화면 아래에 4개의 단추가 있는)을 가지고 있다면 재생/일시 정지(▶||) 및 Menu 단추를 누르고 있으면 재설정됩니다.

- 그래도 작동하지 않는다면, iPod과 함께 제공되는 설명서를 참조하십시오.

리모컨이 동작하지 않는 경우

- 리모컨이 iPod Hi-Fi를 직접 가리키는지 확인하십시오.
- iPod Hi-Fi(82페이지 참조)의 앞면에 있는 리모컨 센서가 차단되어 있지 않는지 확인하십시오.
- iPod 조절 단추를 사용하여 iPod Hi-Fi를 통해 음악을 재생할 수 있는지 확인하십시오. 리모컨의 문제가 아닐 수도 있습니다.
- 리모컨의 배터리를 교체해야 할 수도 있습니다(93페이지 참조).
- 1개 이상의 Apple Remote가 있고 iPod Hi-Fi를 이 중 하나와 연결시켰다면 올바른 리모컨을 사용하는지 확인하십시오. iPod Hi-Fi를 아무 Apple Remote와 함께 동작하도록 설정하는 방법을 보려면, 94페이지를 참조하십시오.

iPod Hi-Fi에서 다른 장비의 음악을 재생하지 않는 경우

- 해당 장비 및 iPod Hi-Fi의 음량이 완전히 낮춰져 있지 않는지 확인하십시오.
- iPod이 iPod Hi-Fi에 연결되어 있다면 연결 해제하거나 리모컨에 있는 Menu 단추를 상태 표시 등이 녹색으로 깜박일 때까지 누르고 계십시오.
- 올바른 오디오 케이블을 사용하고 있는지(88페이지 참조)와 iPod Hi-Fi 및 장비에 단단히 연결되어 있는지 확인하십시오.
- 장비가 켜져 있고 올바르게 동작하는지 확인하십시오. 추가 정보는 해당 장비와 함께 제공되는 설명서를 참조하십시오.

더 자세한 정보, 서비스 및 지원

웹에서 iPod Hi-Fi의 사용에 관한 추가 정보를 찾아볼 수 있습니다.

안전 및 규제 준수

중요한 안전 및 규제 준수 정보는 iPod Hi-Fi 안전 및 규제 준수 정보 책자를 참조하십시오.

온라인 자료

iPod Hi-Fi에 관한 최신 정보를 보려면, www.apple.co.kr/ipodhifi를 방문하십시오.

서비스 및 지원 정보를 보려면, www.apple.co.kr/support/ipodhifi를 방문하십시오.

온라인 iPod 튜토리얼, iPod 서비스 및 지원 정보, 최신 Apple 소프트웨어를 다운로드하려면, www.apple.com/support/ipod을 방문하십시오.

iPod Hi-Fi를 등록하려면, www.apple.com/register를 방문하십시오.

보증 서비스 받기

제품이 손상되거나 올바르게 동작하지 않는다면, 제품과 함께 제공되는 iPod Hi-Fi 안전 지침서에 포함되어 있는 이 설명서의 지침 및 온라인 자료의 지침을 따르십시오.

여전히 장비가 동작하지 않는다면, www.apple.co.kr/support/ipodhifi를 방문하여 보증 서비스를 받을 수 있는 방법을 확인하십시오.

iPod Hi-Fi의 일련 번호 찾기

일련 번호는 iPod Hi-Fi 배터리의 내부에 인쇄되어 있습니다.

